





# Axial fans FB

## AC technology

### Product overview

Quick selection	Page 260
Size 200	Page 264
Size 250	Page 268
Size 300	Page 272
Size 350	Page 274
Size 400	Page 290
Size 450	Page 308
Size 500	Page 334
Size 560	Page 360
Size 630	Page 376

Information

FE2owlet  
ECblue

FE2owlet

FB

FC

System  
components

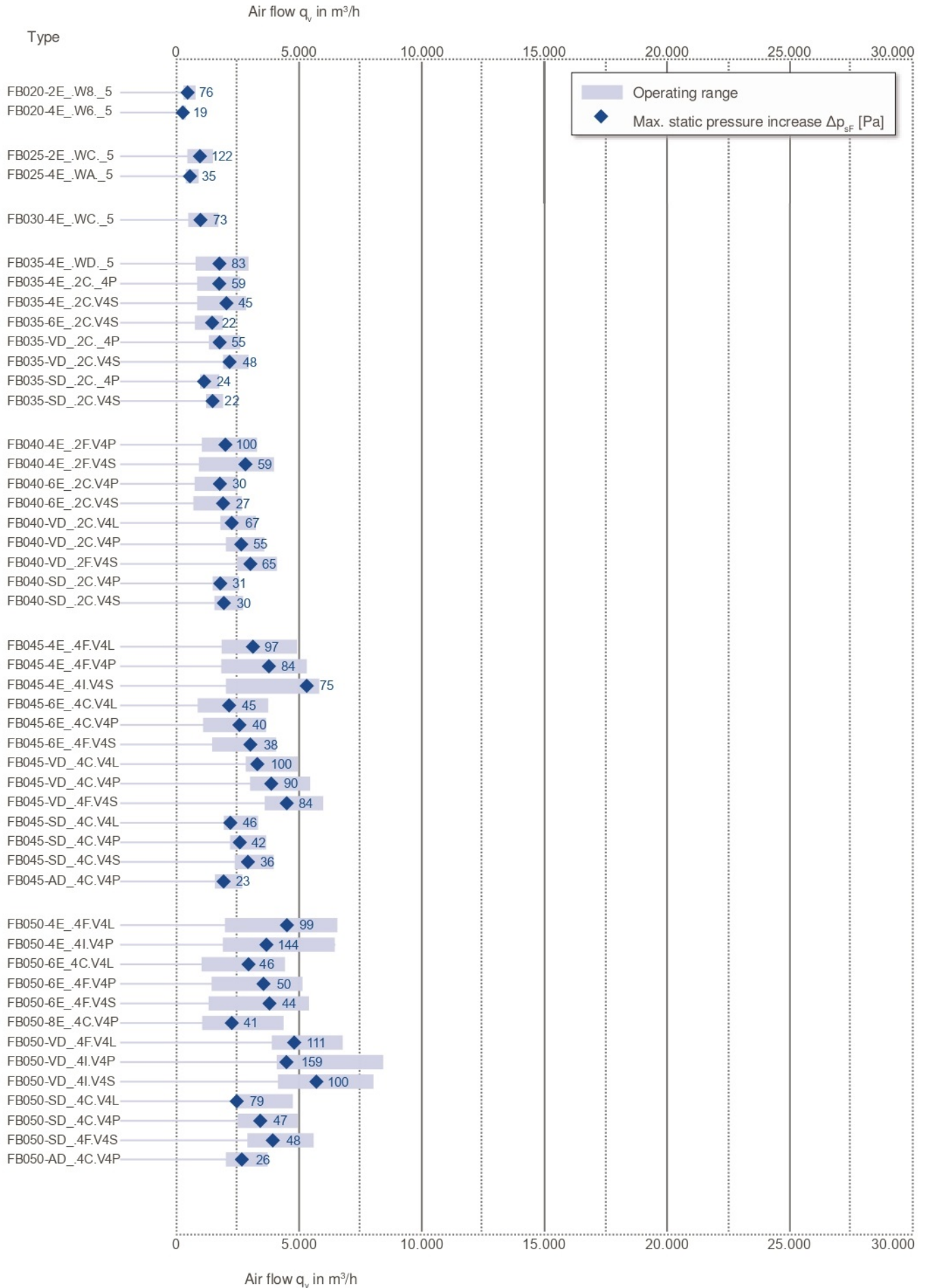
Control  
technology

Appendix



Size	Voltage	Polecount	Type	Airflow direction	ErP	Page
200 mm	1~ 230 V	2	FB020-2E_W8_5	⇒ A ⇐ V	-	264
		4	FB020-4E_W6_5	⇒ A ⇐ V	-	266
250 mm	1~ 230 V	2	FB025-2E_WC_5	⇒ A ⇐ V	2013	268
		4	FB025-4E_WA_5	⇒ A ⇐ V	-	270
300 mm	1~ 230 V	4	FB030-4E_WC_5	⇒ A ⇐ V	-	272
350 mm	1~ 230 V	4	FB035-4E_WD_5	⇒ A ⇐ V	2015	274
			FB035-4E_2C_4P	⇒ A ⇐ V	-	276
		6	FB035-4E_2C.V4S	⇐ V	-	278
	3~ 400 V	4.4	FB035-6E_2C.V4S	⇐ V	-	280
			FB035-VD_2C_4P	⇒ A ⇐ V	2015	282
		6-6	FB035-VD_2C.V4S	⇐ V	2015 *	284
			FB035-SD_2C_4P	⇒ A ⇐ V	-	286
			FB035-SD_2C.V4S	⇐ V	-	288
400 mm	1~ 230 V	4	FB040-4E_2F.V4L	⇐ V	2015	290
			FB040-4E_2F.V4S	⇐ V	-	292
		6	FB040-6E_2C.V4P	⇐ V	-	294
			FB040-6E_2C.V4S	⇐ V	-	296
	3~ 400 V	4.4	FB040-VD_2C.V4L	⇐ V	2015	398
			FB040-VD_2C.V4P	⇐ V	2015	300
		6-6	FB040-VD_2F.V4S	⇐ V	2015 *	302
			FB040-SD_2C.V4P	⇐ V	-	304
			FB040-SD_2C.V4S	⇐ V	-	306
450 mm	1~ 230 V	4	FB045-4E_4F.V4L	⇐ V	2015	308
			FB045-4E_4F.V4P	⇐ V	2015 *	310
			FB045-4E_4I.V4S	⇐ V	2013 *	312
		6	FB045-6E_2C.V4P	⇐ V	-	314
			FB045-6E_4C.V4P	⇐ V	-	316
			FB045-6E_4F.V4S	⇐ V	-	318
	3~ 400 V	4.4	FB045-VD_4C.V4L	⇐ V	2015	320
			FB045-VD_4C.V4P	⇐ V	2015	322
			FB045-VD_4F.V4S	⇐ V	2015 *	324
		6-6	FB045-SD_4C.V4L	⇐ V	2015 *	326
			FB045-SD_4C.V4P	⇐ V	2013	328
			FB045-SD_4C.V4S	⇐ V	-	330
		8-8	FB045-AD_4C.V4P	⇐ V	-	332
500 mm	1~ 230 V	4	FB050-4E_4F.V4L	⇐ V	2015 *	334
			FB050-4E_4I.V4L	⇐ V	2015	336
		6	FB050-6E_4C.V4L	⇐ V	2013	338
			FB050-6E_4F.V4P	⇐ V	2013	340
		8	FB050-6E_4F.V4S	⇐ V	-	342
			FB050-8E_4C.V4P	⇐ V	-	344
	3~ 400 V	4.4	FB050-VD_4F.V4L	⇐ V	2015	346
			FB050-VD_4I.V4P	⇐ V	2015	348
			FB050-VD_4I.V4S	⇐ V	2013	350
		6-6	FB050-SD_4C.V4L	⇐ V	2015	352
			FB050-SD_4C.V4P	⇐ V	2013	354
			FB050-SD_4F.V4S	⇐ V	2013	356
		8-8	FB050-AD_4C.V4P	⇐ V	-	358

\* with ZIEHL-ABEGG frequency inverter

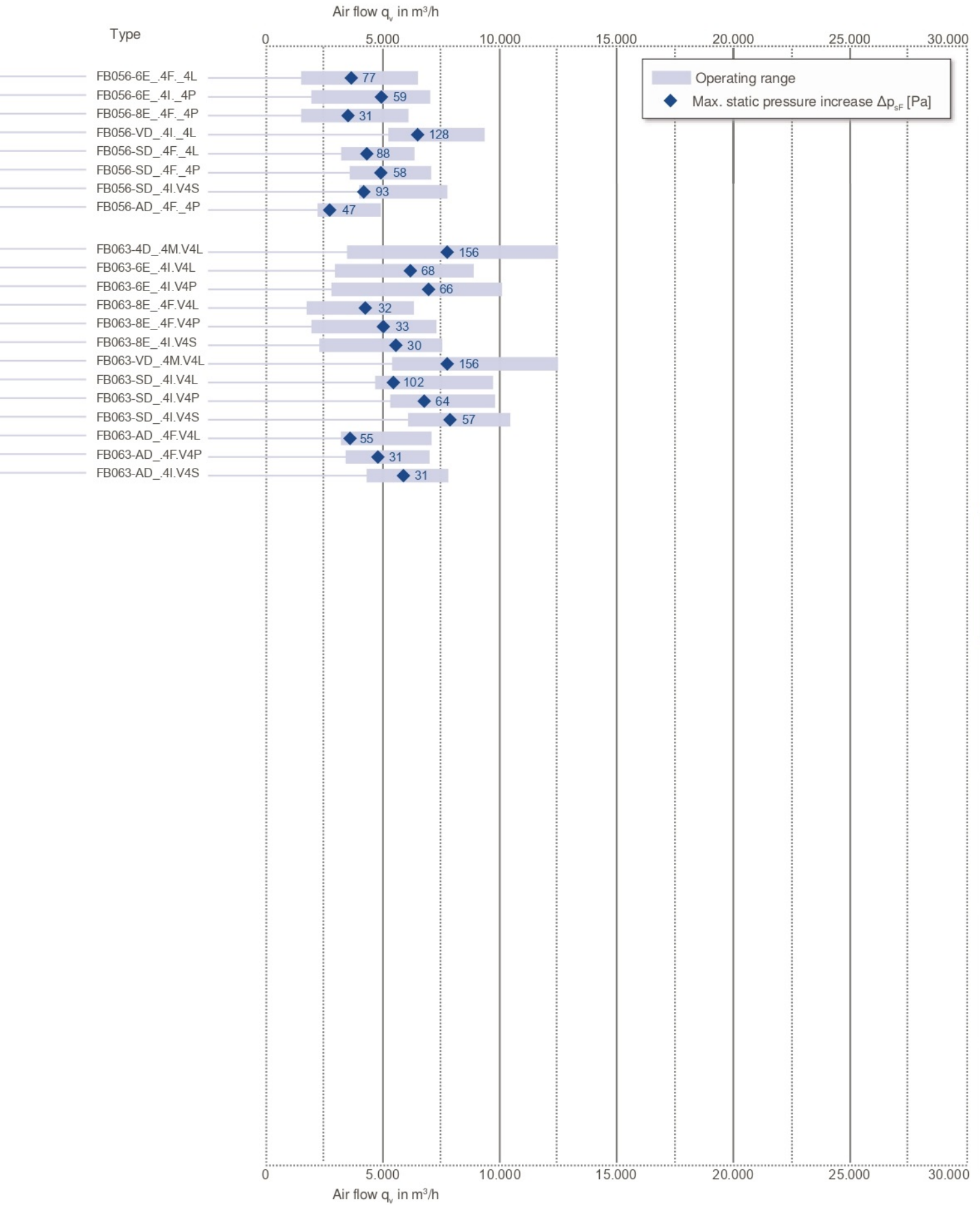




Size	Voltage	Polecount	Type	Airflow direction	ErP	Page		
560 mm	1~ 230 V	6	FB056-6E_4F_4L	→ A ← V	2015	360		
		8	FB056-6E_4I_4P	→ A ← V	2013	362		
	3~ 400 V	4-4	FB056-8E_4F_4P	→ A ← V	-	364		
		4-4	FB056-VD_4I_4L	→ A ← V	2015	366		
		6-6	FB056-SD_4F_4L	→ A ← V	2015	368		
		6-6	FB056-SD_4F_4P	→ A ← V	2013	370		
		6-6	FB056-SD_4I.V4S	→ A ← V	2015	372		
		8-8	FB056-AD_4C_4L	→ A ← V	-	374		
		630 mm	3~ 400 V	4	FB063-4D_4M.V4L	← V	2015	376
				6	FB063-6E_4I.V4L	← V	2015	378
1~ 230 V	6		FB063-6E_4I.V4P	← V	2013	380		
	8		FB063-8E_4F.V4L	← V	-	382		
	8		FB063-8E_4F.V4P	← V	-	384		
	8		FB063-8E_4I.V4S	← V	-	386		
3~ 400 V	4-4		FB063-VD_4M.V4L	← V	2015	388		
	6-6		FB063-SD_4I.V4L	← V	2015	390		
	6-6		FB063-SD_4I.V4P	← V	2015 *	392		
	6-6		FB063-SD_4I.V4S	← V	-	394		
	8-8		FB063-AD_4F.V4L	← V	2015*	396		
	8-8		FB063-AD_4F.V4P	← V	-	398		
	8-8		FB063-AD_4I.V4S	← V	-	400		

\* with ZIEHL-ABEGG frequency inverter





- Information
- FE2owlet  
ECblue
- FE2owlet
- FB
- FC
- System components
- Control technology
- Appendix



# FB

for single phase alternating current, 2 pole

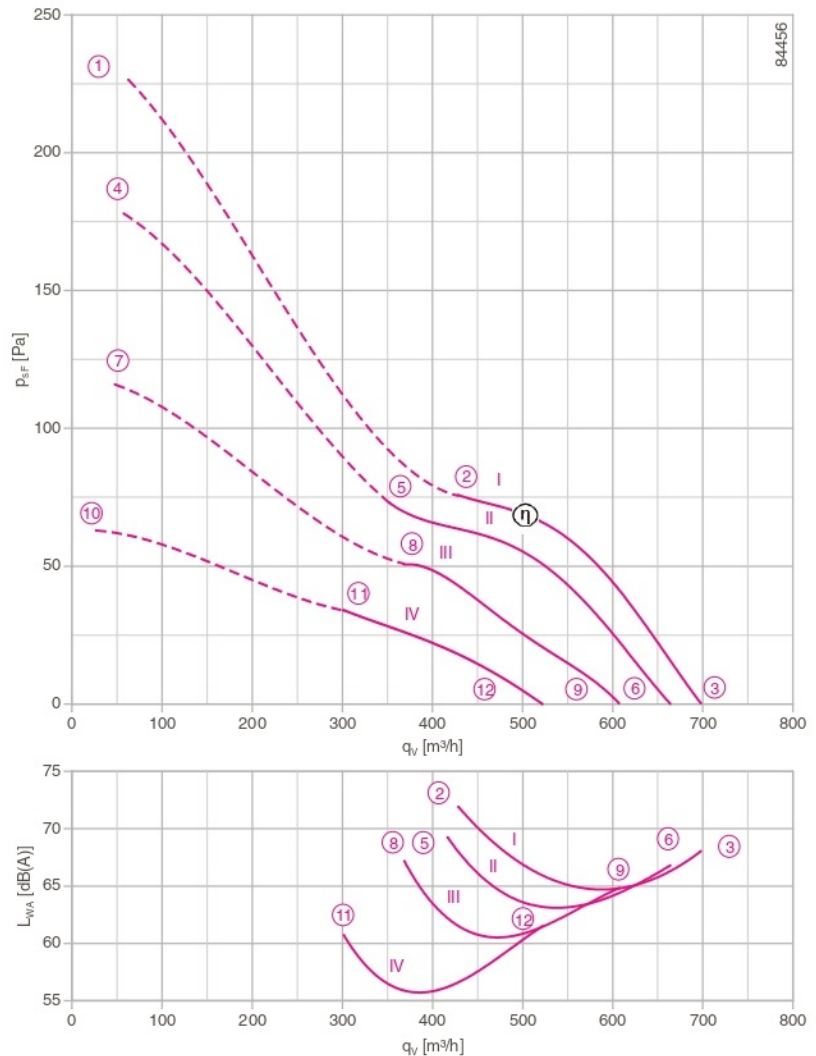
FBO20-2E



## Description

Motor technology: AC  
 Rated voltage  $U_N$ : 1 ~ 230 V\*  
 Rated frequency  $f_N$ : 50 Hz\* (60Hz data available)  
 Motor input power  $P_1$ : 0.05 kW\*  
 Rated current  $I_N$ : 0.26 A\*  
 Rated speed  $n_N$ : 2730 min<sup>-1</sup>\*  
 Starting current  $I_s$ : 0.62 A  
 Current increase  $\Delta I$ : 0 %  
 Service capacitor  $C_{400V}$ : 1.5  $\mu$ F  
 Thermal class: **THCL155\***  
 Min. permitted conveyor temperature  $t_{R(min)}$ : -40 °C  
 Max. permitted conveyor temperature  $t_{R(max)}$ : 80 °C  
 Electrical connection: Supply cable variable 45 cm  
 Number of blades: 5  
 Motor protection: Thermal contact  
 Blades: Steel, powder-coated, black  
 Rotor: Aluminium, 1 coat paint, Ultramarine blue  
 Conformity: CE  
**ErP Data**  
 Is not subject to the ErP Guidelines ( $P_1 < 125$  W)  
 \* Rated data

## Characteristic curve



Measured in full bell mouth without guard grille in installation type A according to ISO 5801

- Connection diagram 1360-177X Page 609
- System components Page 524

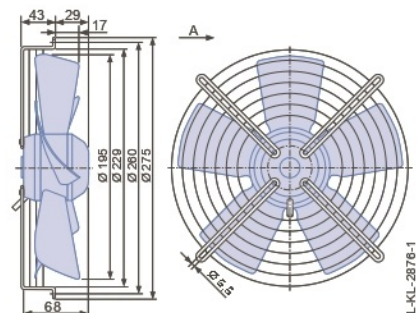
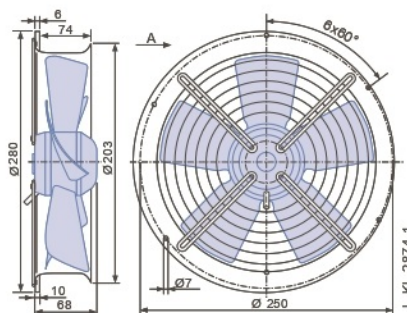
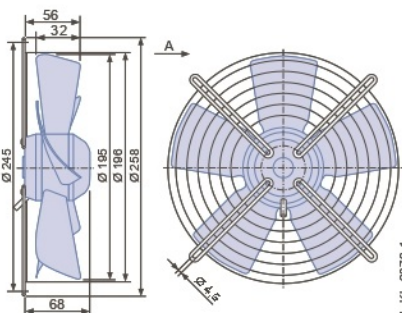
## Dimensions [mm]

Airflow direction A

Design D - axial bolted, suspension for full bell mouth Q and L

Design L - round, full bell mouth

Design W - axial bolted, mounting for short bell mouth E




Performance data





Type	Characteristic curve	Voltage	Operating point	Current	Motor input power	Speed	Suction side sound power level $L_{WAS}$ [dB]
		U [V]		I [A]	$P_1$ [W]	n [min <sup>-1</sup> ]	
FB020-2E_W8_5	I	230	①	0.29	65	2600	
		<b>230*</b>	②	<b>0.26*</b>	<b>55*</b>	<b>2730*</b>	72
		230	③	0.25	50	2770	68
	II	170	④	0.27	46	2300	
		170	⑤	0.22	36	2550	69
		170	⑥	0.20	32	2640	67
	III	135	⑦	0.28	36	1850	
		135	⑧	0.23	30	2260	67
		135	⑨	0.20	26	2420	65
	IV	110	⑩	0.25	28	1350	
		110	⑪	0.23	24	1830	61
		110	⑫	0.21	22	2070	62

\*rated data

Fan ordering information

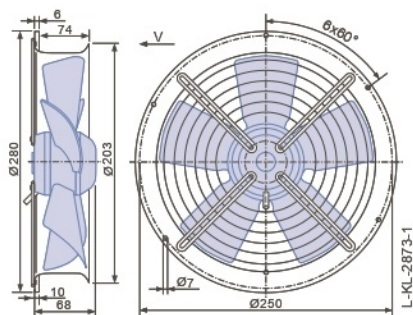
Airflow direction A			Airflow direction V			
Design	D	L	W	H	I	K
						
Type	FB020-2ED.W8.A5	FB020-2EL.W8.A5	FB020-2EW.W8.A5	FB020-2EH.W8.V5	FB020-2EI.W8.V5	FB020-2EK.W8.V5
Article no.	139667	139674	140543	139695	139688	138870
Weight [kg]	1.60	2.40	1.90	2.40	1.60	1.90

Control technology

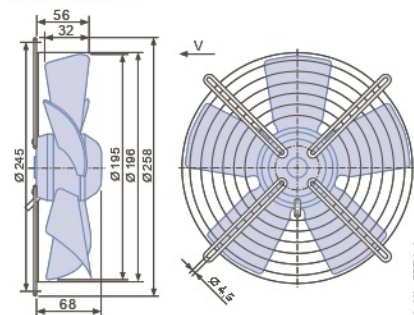
<p>Frequency inverter Fcontrol 1~</p>  <p>Page 552</p>	<p>Motor protection units 1~</p>  <p>Page 596</p>	<p>Transformer-based controllers 1~</p>  <p>Page 587</p>	<p>Electronic voltage controllers 1~</p>  <p>Page 562</p>
---	--	---	---

Airflow direction V

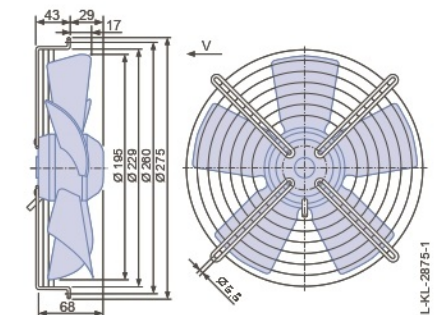
Design H - pipe sockets with a flange



Design I - axial bolted, mounting for bell mouth flange for pipe socket H or full bell mouth Q or L



Design K - axial bolted, mounted for short bell mouth E





# FB

for single phase alternating current, 4 pole

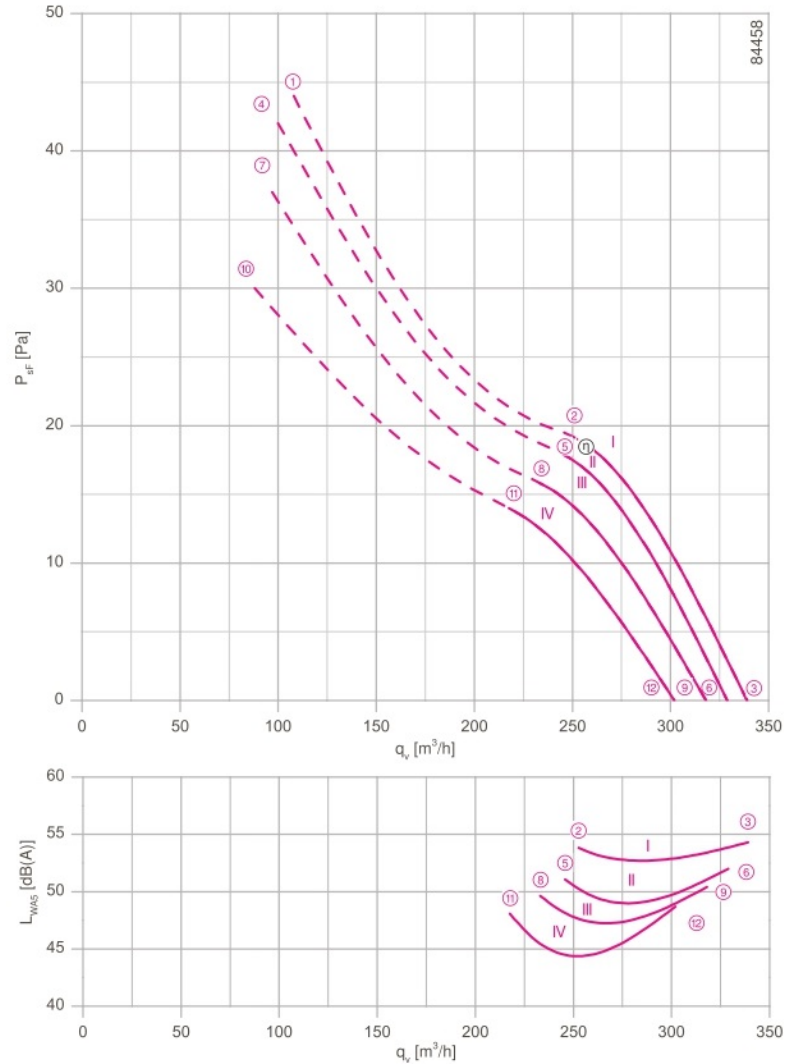
FBO20-4E



### Description

Motor technology: AC  
 Rated voltage  $U_N$ : 1 ~ 230 V\*  
 Rated frequency  $f_N$ : 50 Hz\* (60Hz data available)  
 Motor input power  $P_1$ : 0.03 kW\*  
 Rated current  $I_N$ : 0.15 A\*  
 Rated speed  $n_N$ : 1400 min<sup>-1</sup>\*  
 Starting current  $I_s$ : 0.24 A  
 Current increase  $\Delta I$ : 0 %  
 Service capacitor  $C_{400V}$ : 1.0  $\mu$ F  
 Thermal class: THCL155\*  
 Min. permitted conveyor temperature  $t_{R(min)}$ : -40 °C  
 Max. permitted conveyor temperature  $t_{R(max)}$ : 70 °C  
 Electrical connection: Supply cable variable 45 cm  
 Number of blades: 5  
 Motor protection: Thermal contact  
 Blades: Steel, powder-coated, black  
 Rotor: Aluminium, 1 coat paint, Ultramarine blue  
 Conformity: CE  
**ErP Data**  
 Is not subject to the ErP Guidelines ( $P_1 < 125$  W)  
 \* Rated data

### Characteristic curve



Measured in full bell mouth without guard grille in installation type A according to ISO 5801

- Connection diagram 1360-177X Page 609
- System components Page 524

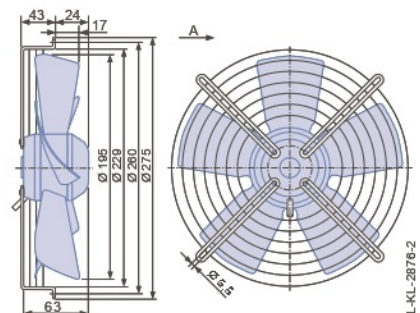
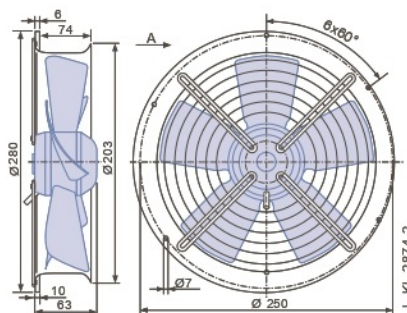
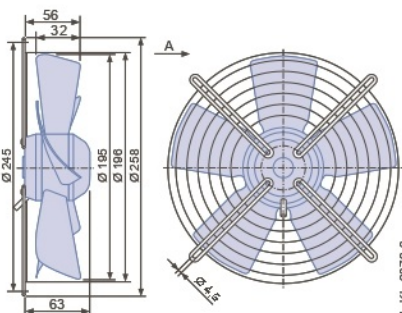
### Dimensions [mm]

Airflow direction A

Design D - axial bolted, suspension for full bell mouth Q and L

Design L - round, full bell mouth

Design W - axial bolted, mounting for short bell mouth E



Performance data

Type	Characteristic curve	Voltage	Operating point	Current	Motor input power	Speed	Suction side sound power level $L_{WAS}$ [dB]
		U [V]		I [A]	$P_1$ [W]	n [min <sup>-1</sup> ]	
FB020-4E_W6_5	I	230	①	0.15	30	1390	
		<b>230*</b>	②	<b>0.15*</b>	<b>30*</b>	<b>1400*</b>	54
		230	③	0.15	28	1410	54
	II	170	④	0.11	16	1340	
		170	⑤	0.10	16	1360	51
		170	⑥	0.10	15	1380	52
	III	135	⑦	0.09	12	1260	
		135	⑧	0.09	11	1300	50
		135	⑨	0.08	10	1330	50
	IV	110	⑩	0.08	8	1130	
		110	⑪	0.08	8	1200	48
		110	⑫	0.07	8	1260	49

\*rated data

Fan ordering information

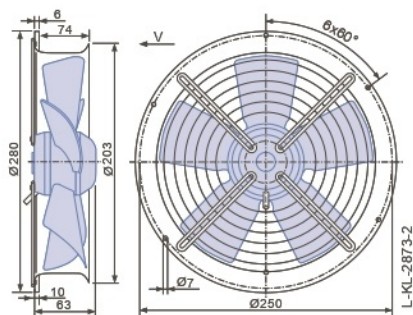
Airflow direction A			Airflow direction V			
Design	D	L	W	H	I	K
Type	FB020-4ED.W6.A5	FB020-4EL.W6.A5	FB020-4EW.W6.A5	FB020-4EH.W6.V5	FB020-4EI.W6.V5	FB020-4EK.W6.V5
Article no.	139668	139675	140544	139696	139689	138871
Weight [kg]	1.40	2.20	1.70	2.20	1.40	1.70

Control technology

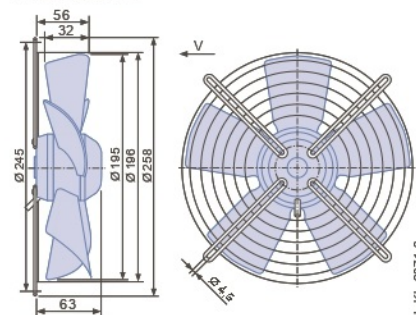
<p>Frequency inverter Fcontrol 1~</p> <p>Page 552</p>	<p>Motor protection units 1~</p> <p>Page 596</p>	<p>Transformer-based controllers 1~</p> <p>Page 587</p>	<p>Electronic voltage controllers 1~</p> <p>Page 562</p>
---	--	---	--

Airflow direction V

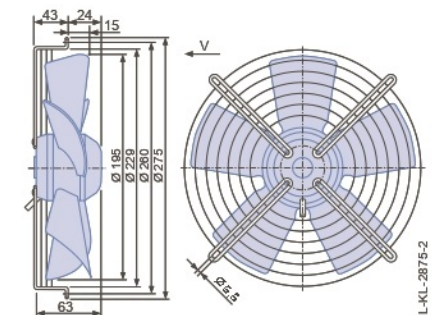
Design H - pipe sockets with a flange



Design I - axial bolted, mounting for bell mouth flange for pipe socket H or full bell mouth Q or L



Design K - axial bolted, mounted for short bell mouth E





# FB

for single phase alternating current, 2 pole

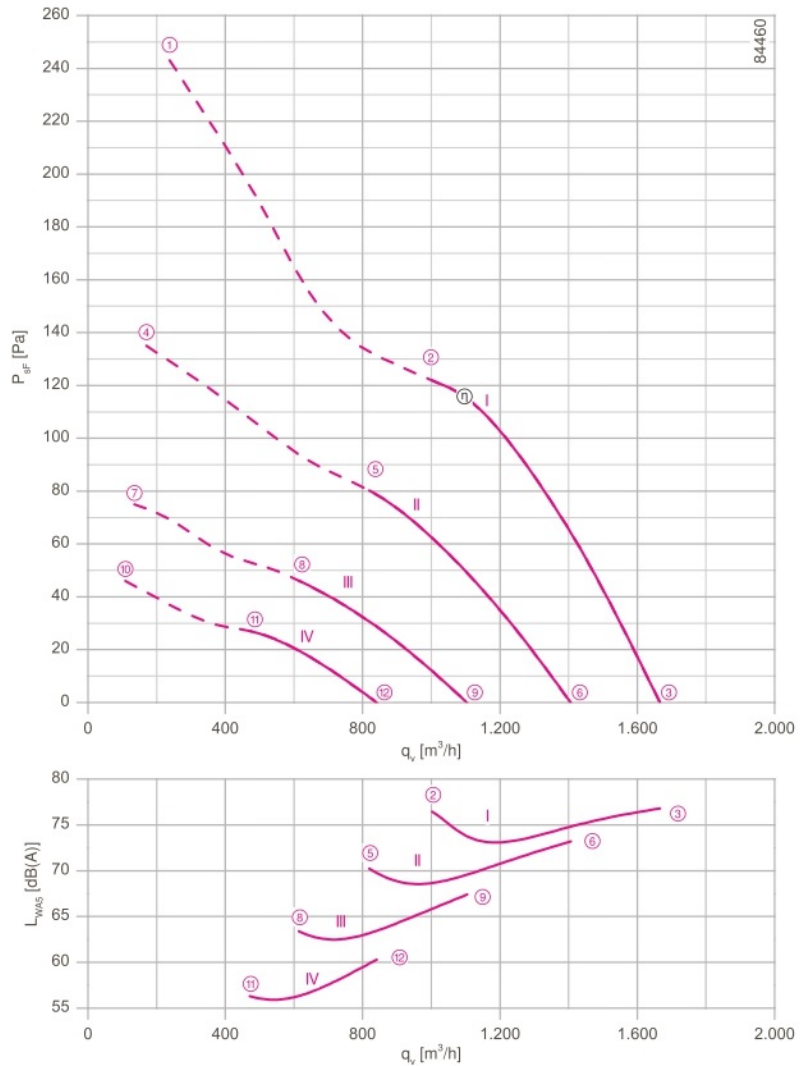
FBO25-2E



## Description

Motor technology: AC  
 Rated voltage  $U_N$ : 1 ~ 230 V\*  
 Rated frequency  $f_N$ : 50 Hz\* (60Hz data available)  
 Motor input power  $P_1$ : 0.14 kW\*  
 Rated current  $I_N$ : 0.60 A\*  
 Rated speed  $n_N$ : 2440 min<sup>-1</sup>\*  
 Starting current  $I_s$ : 1.15 A  
 Current increase  $\Delta I$ : 0 %  
 Service capacitor  $C_{400V}$ : 4.0  $\mu$ F  
 Thermal class: **THCL155**\*  
 Min. permitted conveyor temperature  $t_{R(min)}$ : -40 °C  
 Max. permitted conveyor temperature  $t_{R(max)}$ : 75 °C  
 Electrical connection: Supply cable variable 45 cm  
 Number of blades: 5  
 Motor protection: Thermal contact  
 Blades: Steel, powder-coated, black  
 Rotor: Aluminium, 1 coat paint, Ultramarine blue  
 Conformity: ErP 2013, CE  
**ErP Data**  
 Efficiency  $\eta_{statA}$ : 26.0 %  
 Efficiency:  $\eta_{ac1,stat} = 37.8 / N_{target} = 36^{**}$   
 \* Rated data  
 \*\*ErP 2013

## Characteristic curve



Measured in full bell mouth without guard grille in installation type A according to ISO 5801

- Connection diagram 1360-177X Page 609
- System components Page 524

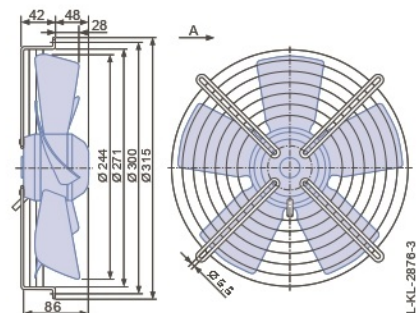
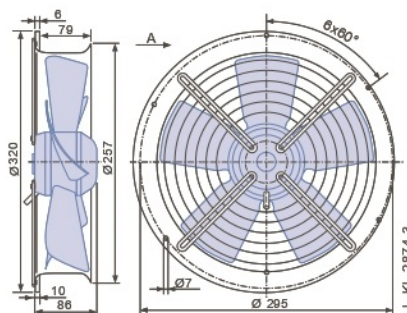
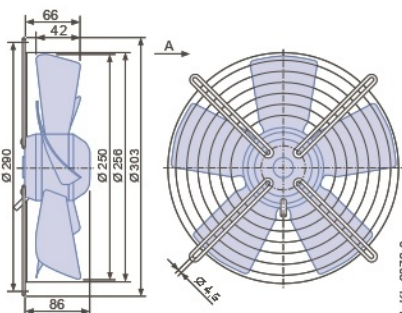
## Dimensions [mm]

Airflow direction A

Design D - axial bolted, suspension for full bell mouth Q and L

Design L - round, full bell mouth

Design W - axial bolted, mounting for short bell mouth E





# FB

for single phase alternating current, 4 pole

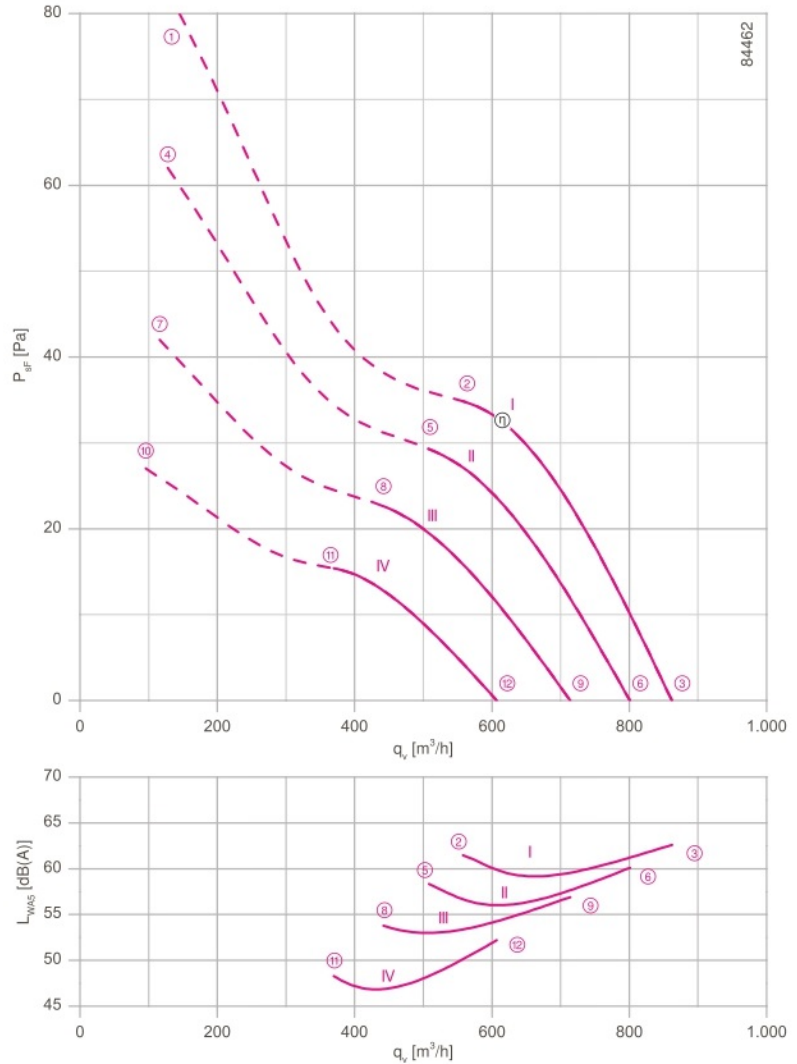
FBO25-4E



## Description

Motor technology: AC  
 Rated voltage  $U_N$ : 1 ~ 230 V\*  
 Rated frequency  $f_N$ : 50 Hz\* (60Hz data available)  
 Motor input power  $P_1$ : 0.04 kW\*  
 Rated current  $I_N$ : 0.16 A\*  
 Rated speed  $n_N$ : 1340 min<sup>-1</sup>\*  
 Starting current  $I_s$ : 0.30 A  
 Current increase  $\Delta I$ : 0 %  
 Service capacitor  $C_{400V}$ : 1.5  $\mu$ F  
 Thermal class: **THCL155\***  
 Min. permitted conveyor temperature  $t_{R(min)}$ : -40 °C  
 Max. permitted conveyor temperature  $t_{R(max)}$ : 80 °C  
 Electrical connection: Supply cable variable 45 cm  
 Number of blades: 5  
 Motor protection: Thermal contact  
 Blades: Steel, powder-coated, black  
 Rotor: Aluminium, 1 coat paint, Ultramarine blue  
 Conformity: CE  
**ErP Data**  
 Is not subject to the ErP Guidelines ( $P_1 < 125$  W)  
 \* Rated data

## Characteristic curve



Measured in full bell mouth without guard grille in installation type A according to ISO 5801

- Connection diagram 1360-177X Page 609
- System components Page 524

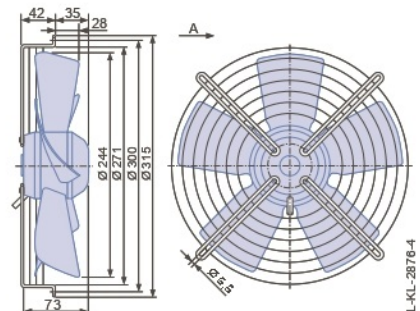
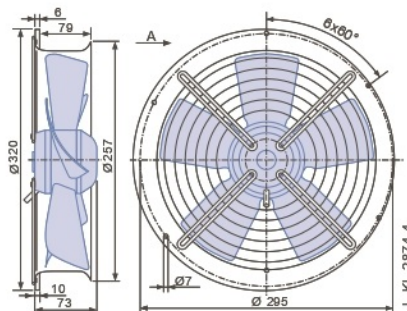
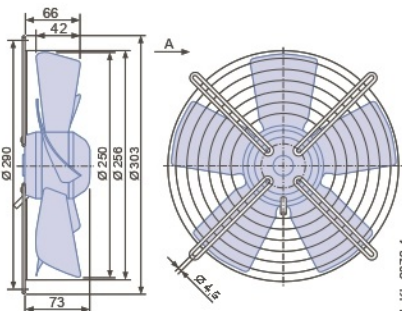
## Dimensions [mm]

Airflow direction A

Design D - axial bolted, suspension for full bell mouth Q and L

Design L - round, full bell mouth

Design W - axial bolted, mounting for short bell mouth E




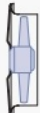






Performance data





Type	Characteristic curve	Voltage	Operating point	Current	Motor input power	Speed	Suction side sound power level $L_{WAS}$ [dB]
		U [V]		I [A]	$P_1$ [W]	n [min <sup>-1</sup> ]	
FB025-4E_WA_5	I	230	①	0.17	40	1300	
		<b>230*</b>	②	<b>0.16*</b>	<b>36*</b>	<b>1340*</b>	62
		230	③	0.16	36	1370	63
	II	170	④	0.15	26	1140	
		170	⑤	0.14	24	1220	59
		170	⑥	0.13	22	1270	60
	III	135	⑦	0.14	19	950	
		135	⑧	0.13	18	1060	54
		135	⑨	0.12	17	1130	57
	IV	110	⑩	0.13	14	760	
		110	⑪	0.12	13	880	48
		110	⑫	0.11	12	950	52

\*rated data

Fan ordering information

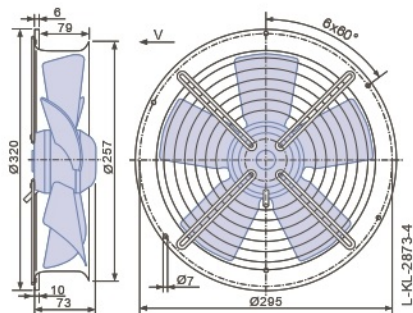
Airflow direction A		Airflow direction V				
Design	D	L	W	H	I	K
						
Type	FB025-4ED.WA.A5	FB025-4EL.WA.A5	FB025-4EW.WA.A5	FB025-4EH.WA.V5	FB025-4EI.WA.V5	FB025-4EK.WA.V5
Article no.	139670	139677	140546	139698	139691	138873
Weight [kg]	2.10	3.10	2.40	3.10	2.10	2.50

Control technology

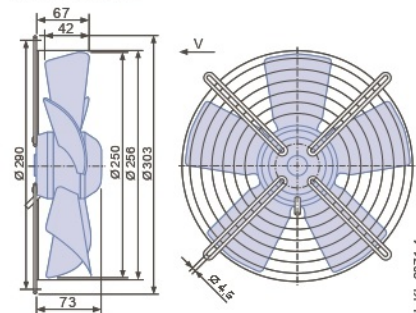
<p>Frequency inverter Fcontrol 1~</p>  <p>Page 552</p>	<p>Motor protection units 1~</p>  <p>Page 596</p>	<p>Transformer-based controllers 1~</p>  <p>Page 587</p>	<p>Electronic voltage controllers 1~</p>  <p>Page 562</p>
---	--	---	--

Airflow direction V

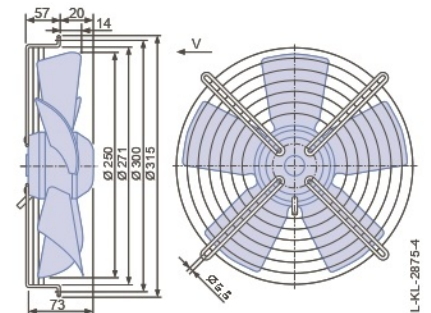
Design H - pipe sockets with a flange



Design I - axial bolted, mounting for bell mouth flange for pipe socket H or full bell mouth Q or L



Design K - axial bolted, mounted for short bell mouth E



# FB

for single phase alternating current, 4 pole

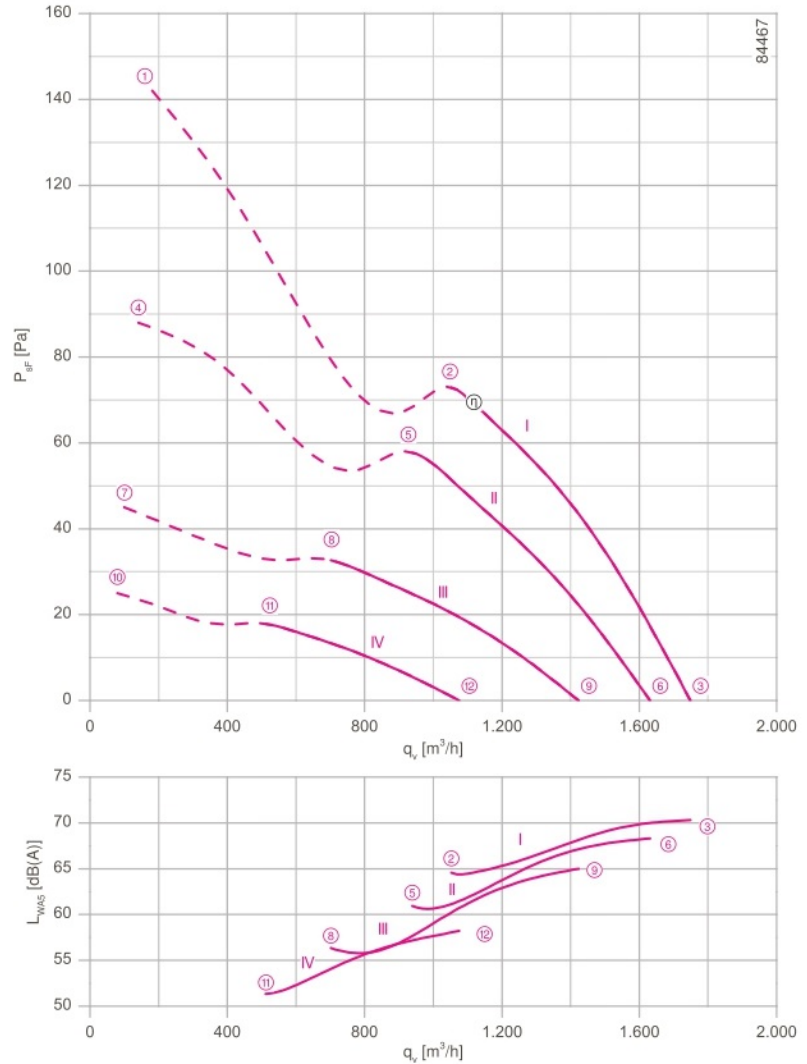
FBO30-4E



### Description

Motor technology: AC  
 Rated voltage  $U_N$ : 1 ~ 230 V\*  
 Rated frequency  $f_N$ : 50 Hz\* (60Hz data available)  
 Motor input power  $P_1$ : 0.09 kW\*  
 Rated current  $I_N$ : 0.39 A\*  
 Rated speed  $n_N$ : 1360 min<sup>-1</sup>\*  
 Starting current  $I_A$ : 0.77 A  
 Current increase  $\Delta I$ : 0 %  
 Service capacitor  $C_{400V}$ : 3.0  $\mu F$   
 Thermal class: **THCL155**\*  
 Min. permitted conveyor temperature  $t_{R(min)}$ : -40 °C  
 Max. permitted conveyor temperature  $t_{R(max)}$ : 65 °C  
 Electrical connection: Supply cable variable 45 cm  
 Number of blades: 5  
 Motor protection: Thermal contact  
 Blades: Steel, powder-coated, black  
 Rotor: Aluminium, 1 coat paint, Ultramarine blue  
 Conformity: CE  
**ErP Data**  
 Is not subject to the ErP Guidelines ( $P_1 < 125$  W)  
 \* Rated data

### Characteristic curve



Measured in full bell mouth without guard grille in installation type A according to ISO 5801

- Connection diagram 1360-177X Page 609
- System components Page 524

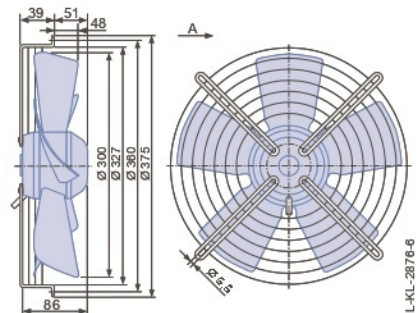
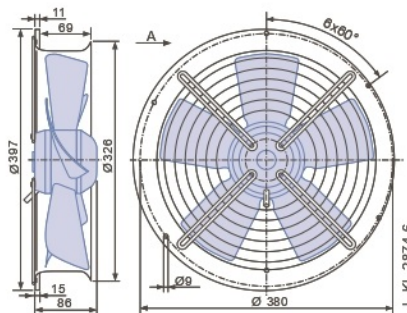
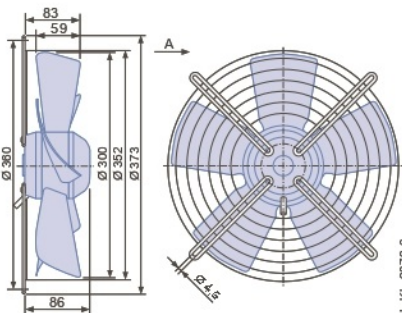
### Dimensions [mm]

Airflow direction A

Design D - axial bolted, suspension for full bell mouth Q and L

Design L - round, full bell mouth

Design W - axial bolted, mounting for short bell mouth E









Performance data





Type	Characteristic curve	Voltage	Operating point	Current	Motor input power	Speed	Suction side sound power level $L_{WAS}$ [dB]
		U [V]		I [A]	$P_1$ [W]	n [min <sup>-1</sup> ]	
FB030-4E_WC_5	I	230	①	0.44	100	1300	
		<b>230*</b>	②	<b>0.39*</b>	<b>90*</b>	<b>1360*</b>	65
		230	③	0.35	80	1400	70
	II	170	④	0.44	75	1030	
		170	⑤	0.38	65	1200	61
		170	⑥	0.32	55	1320	68
	III	135	⑦	0.39	50	730	
		135	⑧	0.37	50	910	56
		135	⑨	0.32	44	1150	65
	IV	110	⑩	0.33	36	540	
		110	⑪	0.33	34	650	51
		110	⑫	0.31	34	870	58

\*rated data

Fan ordering information

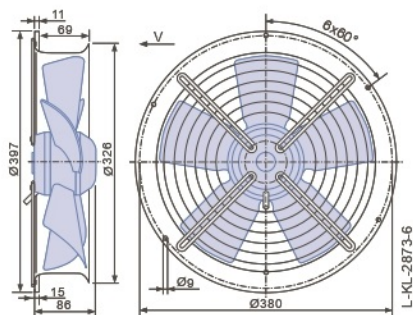
Airflow direction A			Airflow direction V			
Design	D	L	W	H	I	K
						
Type	FB030-4ED.WC.A5	FB030-4EL.WC.A5	FB030-4EW.WC.A5	FB030-4EH.WC.V5	FB030-4EI.WC.V5	FB030-4EK.WC.V5
Article no.	141625	141626	141627	141629	141628	141630
Weight [kg]	3.00	4.50	3.30	4.60	3.00	3.30

Control technology

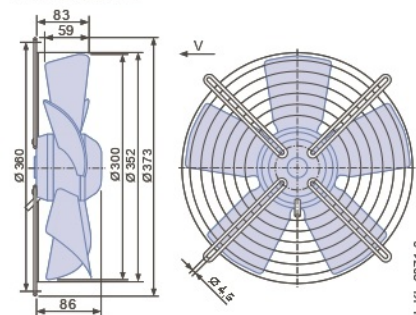
<p>Frequency inverter Fcontrol 1~</p>  <p>➤ Page 552</p>	<p>Motor protection units 1~</p>  <p>➤ Page 596</p>	<p>Transformer-based controllers 1~</p>  <p>➤ Page 587</p>	<p>Electronic voltage controllers 1~</p>  <p>➤ Page 562</p>
---	--	---	---

Airflow direction V

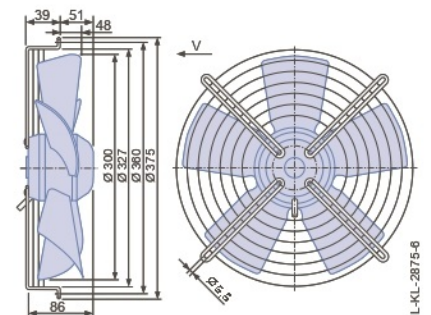
Design H - pipe sockets with a flange



Design I - axial bolted, mounting for bell mouth flange for pipe socket H or full bell mouth Q or L



Design K - axial bolted, mounted for short bell mouth E





# FB

for single phase alternating current, 4 pole

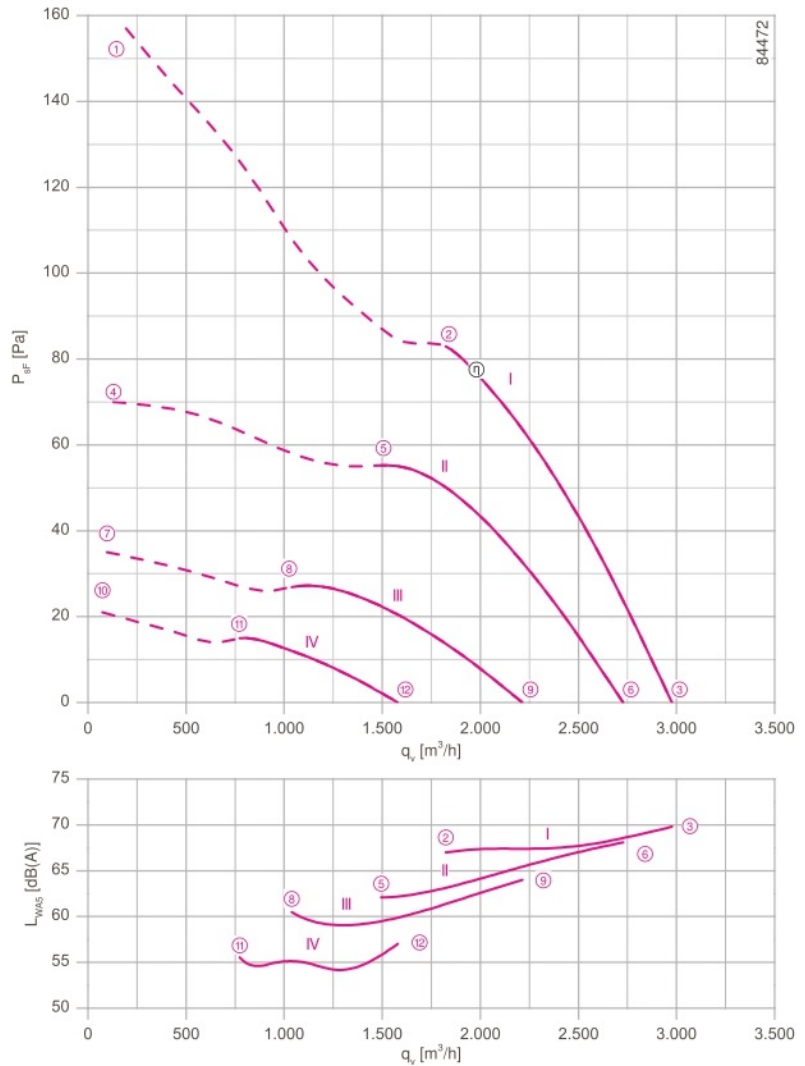
FBO35-4E



## Description

Motor technology: AC  
 Rated voltage  $U_N$ : 1 ~ 230 V\*  
 Rated frequency  $f_N$ : 50 Hz\* (60Hz data available)  
 Motor input power  $P_1$ : 0.15 kW\*  
 Rated current  $I_N$ : 0.68 A\*  
 Rated speed  $n_N$ : 1290 min<sup>-1</sup>\*  
 Current increase  $\Delta I$ : 0 %  
 Service capacitor  $C_{400V}$ : 5.0  $\mu$ F  
 Thermal class: THCL155\*  
 Min. permitted conveyor temperature  $t_{R(min)}$ : -40 °C  
 Max. permitted conveyor temperature  $t_{R(max)}$ : 65 °C  
 Electrical connection: Supply cable variable 45 cm  
 Number of blades: 5  
 Motor protection: Thermal contact  
 Blades: Steel, powder-coated, black  
 Rotor: Aluminium, 1 coat paint, Ultramarine blue  
 Conformity: ErP 2015, CE  
**ErP Data**  
 Efficiency  $\eta_{data}$ : 28.8 %  
 Efficiency:  $N_{actual} = 40.3 / N_{target} = 40$ \*\*  
 \* Rated data  
 \*\*ErP 2015

## Characteristic curve



Measured in full bell mouth without guard grille in installation type A according to ISO 5801

➤ Connection diagram 1360-177X Page 609

➤ System components Page 524

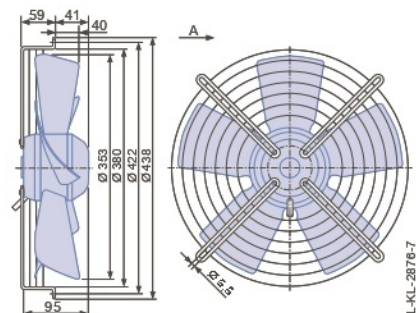
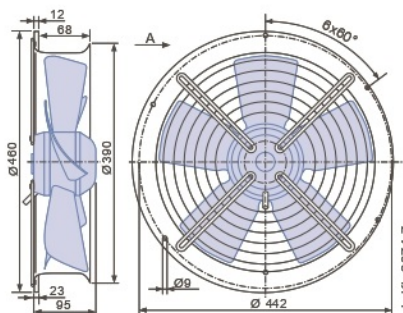
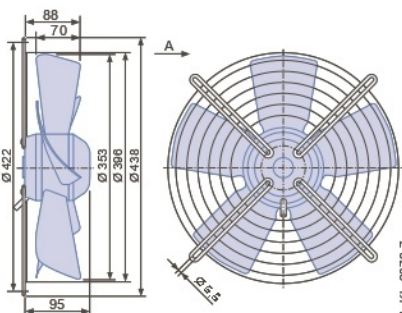
## Dimensions [mm]

Airflow direction A

Design D - axial bolted, suspension for full bell mouth Q and L

Design L - round, full bell mouth

Design W - axial bolted, mounting for short bell mouth E


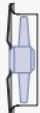






Performance data





Type	Characteristic curve	Voltage	Operating point	Current	Motor input power	Speed	Suction side sound power level $L_{WAS}$ [dB]
		U [V]		I [A]	$P_1$ [W]	n [min <sup>-1</sup> ]	
FB035-4E_WD_5	I	230	①	0.82	190	1120	
		<b>230*</b>	②	<b>0.68*</b>	<b>150*</b>	<b>1290*</b>	67
		230	③	0.56	130	1360	70
	II	170	④	0.74	120	740	
		170	⑤	0.66	110	1060	62
		170	⑥	0.54	90	1260	68
	III	135	⑦	0.60	80	520	
		135	⑧	0.58	75	740	60
		135	⑨	0.52	70	1020	64
	IV	110	⑩	0.48	50	410	
		110	⑪	0.48	50	540	55
		110	⑫	0.46	50	730	57

\*rated data

Fan ordering information

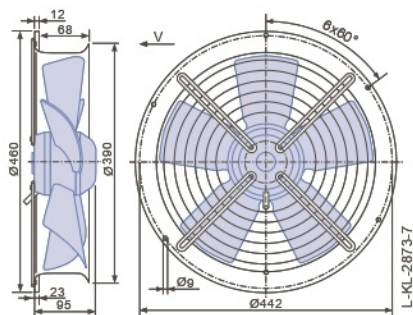
Airflow direction A			Airflow direction V			
Design	D	L	W	H	I	K
						
Type	FB035-4ED.WD.A5	FB035-4EL.WD.A5	FB035-4EW.WD.A5	FB035-4EH.WD.V5	FB035-4EI.WD.V5	FB035-4EK.WD.V5
Article no.	152695	152696	152697	152699	152698	152700
Weight [kg]	4.00	6.00	4.50	6.00	4.00	4.60

Control technology

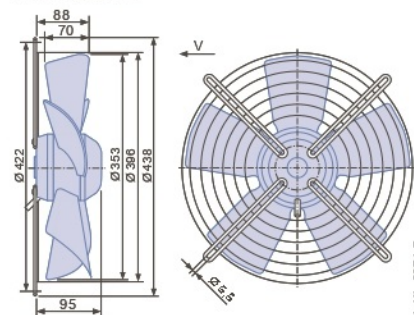
<p>Frequency inverter Fcontrol 1~</p>  <p>Page 552</p>	<p>Motor protection units 1~</p>  <p>Page 596</p>	<p>Transformer-based controllers 1~</p>  <p>Page 587</p>	<p>Electronic voltage controllers 1~</p>  <p>Page 562</p>
---	--	---	--

Airflow direction V

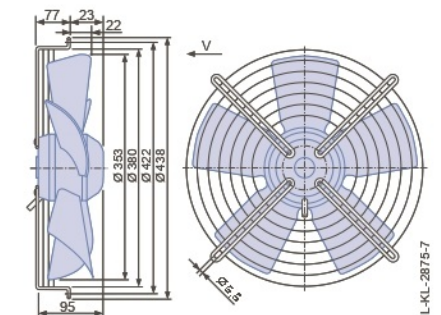
Design H - pipe sockets with a flange



Design I - axial bolted, mounting for bell mouth flange for pipe socket H or full bell mouth Q or L



Design K - axial bolted, mounted for short bell mouth E



# FB

for single phase alternating current, 4 pole

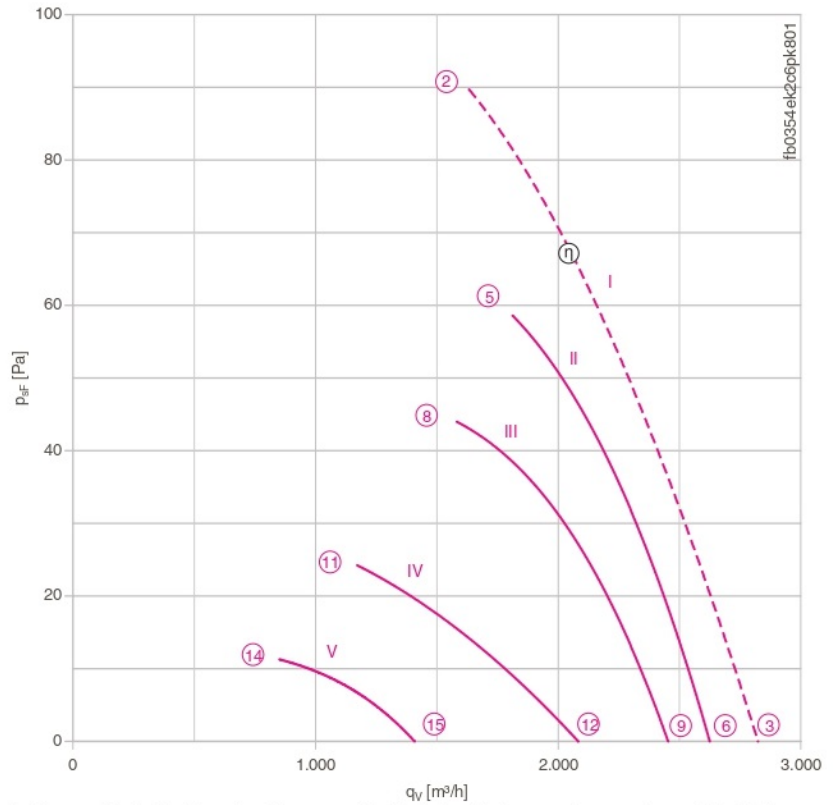
FBO35-4E



### Description

Motor technology: AC  
 Rated voltage  $U_N$ : 1 ~ 230 V ± 10 %\*  
 Rated frequency  $f_N$ : 50 Hz\* (60Hz data available)  
 Motor input power  $P_1$ : 0.19 kW\*  
 Rated current  $I_N$ : 0.89 A\*  
 Rated speed  $n_N$ : 1330 min<sup>-1</sup>\*  
 Starting current  $I_A$ : 1.40 A  
 Current increase  $\Delta I$ : 0 %  
 Service capacitor  $C_{400V}$ : 5.0 μF  
 Thermal class: **THCL155**\*  
 Min. permitted conveyor temperature  $t_{R(min)}$ : -25 °C  
 Max. permitted conveyor temperature  $t_{R(max)}$ : 70 °C  
 Electrical connection: Terminal box  
 Number of blades: 4  
 Protection class: IP54  
 Motor protection: Thermal contact  
 Blades: Aluminium, uncoated  
 Rotor: Aluminium, uncoated  
 \* Rated data

### Characteristic curve



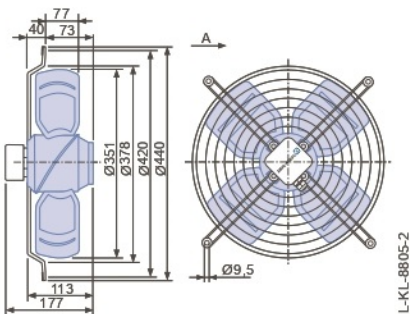
I) Measured in full bell mouth without guard grille in installation type A according to ISO 5801.  
 II-x) Measured in short-bell mouth with compressed side contact protection.

- Connection diagrams Page 608
  - for airflow direction V 1360-104XA
  - for airflow direction A 1360-104XB
- System components Page 524

### Dimensions [mm]



Design W - axial bolted, mounting for short bell mouth E







Performance data


Type	Characteristic curve	Voltage	Operating point	Current	Motor input power	Speed	Suction side sound power level $L_{WAS}$ [dB]
		U [V]		I [A]	$P_1$ [W]	n [min <sup>-1</sup> ]	
FB035-4E_2C_4P	I	230*	②	0.89*	190*	1330*	
		230	③	0.73	150	1410	69
		230	⑤	0.75	160	1390	70
	II	230	⑥	0.72	150	1420	68
		160	⑧	0.68	105	1250	67
		160	⑨	0.60	94	1320	65
	IV	130	⑪	0.68	80	930	60
		130	⑫	0.62	77	1130	61
		105	⑭	0.58	54	660	54
	V	105	⑮	0.57	53	770	53

\*rated data

Fan ordering information

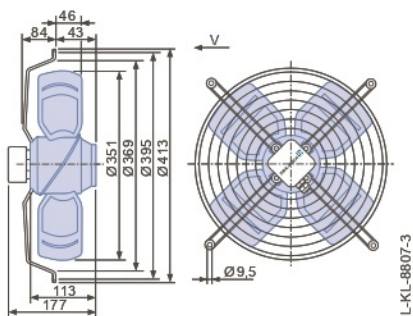
Airflow direction A		Airflow direction V	
Design	W		K
			
Type	FB035-4EW.2C.A4P		FB035-4EK.2C.V4P
Article no.	106938		124158
Weight [kg]	4.50		4.80

Control technology

<p>Frequency inverter Fcontrol 1~</p>  <p>Page 552</p>	<p>Motor protection units 1~</p>  <p>Page 596</p>	<p>Transformer-based controllers 1~</p>  <p>Page 587</p>	<p>Electronic voltage controllers 1~</p>  <p>Page 562</p>
---	--	---	--

Airflow direction V

Design K - axial bolted, mounted for short bell mouth E



# FB

for single phase alternating current, 4 pole

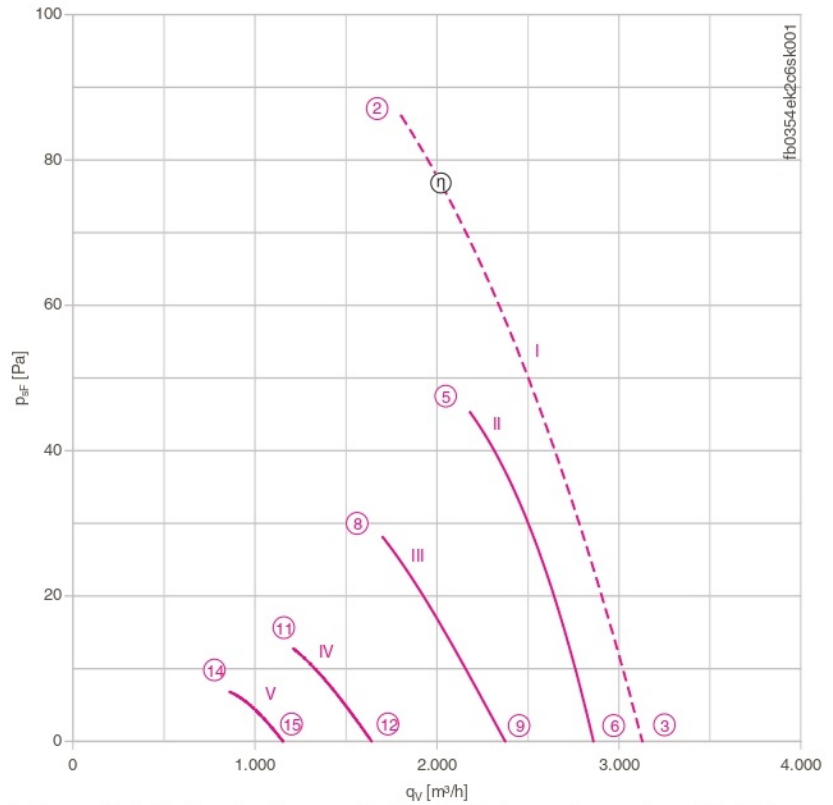
FBO35-4E



### Description

Motor technology: AC  
 Rated voltage  $U_N$ : 1 ~ 230 V ± 10 %\*  
 Rated frequency  $f_N$ : 50 Hz\*  
 Motor input power  $P_1$ : 0.20 kW\*  
 Rated current  $I_N$ : 0.92 A\*  
 Rated speed  $n_N$ : 1300 min<sup>-1</sup>\*  
 Starting current  $I_A$ : 1.35 A  
 Current increase  $\Delta I$ : 0 %  
 Service capacitor  $C_{400V}$ : 4.0 μF  
 Thermal class: **THCL155**\*  
 Min. permitted conveyor temperature  $t_{R(min)}$ : -25 °C  
 Max. permitted conveyor temperature  $t_{R(max)}$ : 70 °C  
 Electrical connection: Terminal box  
 Number of blades: 4  
 Protection class: IP54  
 Motor protection: Thermal contact  
 Blades: Aluminium, uncoated  
 Rotor: Aluminium, uncoated  
 \* Rated data

### Characteristic curve



I) Measured in full bell mouth without guard grille in installation type A according to ISO 5801.  
 II-x) Measured in short-bell mouth with compressed side contact protection.

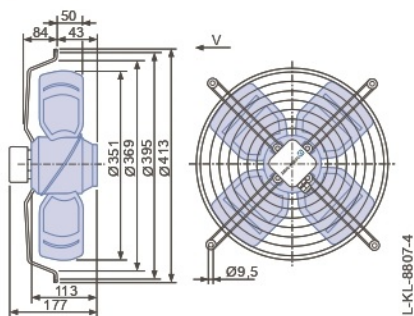
➤ Connection diagram 1360-104XA Page 608

➤ System components Page 524

### Dimensions [mm]



Design K - axial bolted, mounted for short bell mouth E



### Performance data


Type	Characteristic curve	Voltage	Operating point	Current	Motor input power	Speed	Suction side sound power level $L_{WAS}$ [dB]
		U [V]		I [A]	$P_i$ [W]	n [min <sup>-1</sup> ]	
FB035-4E_2C.V4S	I	<b>230*</b>	②	<b>0.92*</b>	<b>200*</b>	<b>1300*</b>	
		230	③	0.80	175	1360	70
	II	230	⑤	0.84	185	1350	73
		230	⑥	0.81	175	1370	70
	III	160	⑧	0.80	120	1050	67
		160	⑨	0.76	115	1140	65
	IV	130	⑪	0.70	82	730	59
		130	⑫	0.69	81	800	57
	V	105	⑭	0.58	52	520	
		105	⑮	0.58	52	560	

\*rated data

### Fan ordering information

**Airflow direction V**

Design K




Type **FB035-4EK.2C.V4S**

Article no. **124153**

Weight [kg] 4.80

### Control technology

<p>Frequency inverter Fcontrol 1~</p>  <p>➤ Page 552</p>	<p>Motor protection units 1~</p>  <p>➤ Page 596</p>	<p>Transformer-based controllers 1~</p>  <p>➤ Page 587</p>	<p>Electronic voltage controllers 1~</p>  <p>➤ Page 562</p>
---	--	---	--



# FB

for single phase alternating current, 6 pole

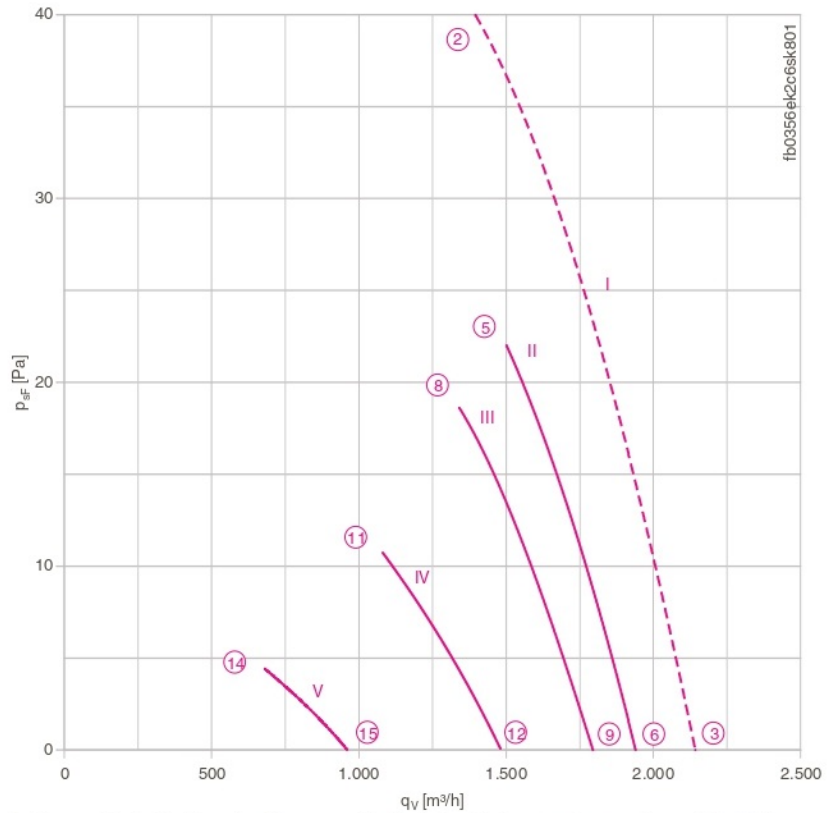
FBO35-6E



### Description

Motor technology: AC  
 Rated voltage  $U_N$ : 1 ~ 230 V ± 10 %\*  
 Rated frequency  $f_N$ : 50 Hz\* (60Hz data available)  
 Motor input power  $P_1$ : 0.10 kW\*  
 Rated current  $I_N$ : 0.49 A\*  
 Rated speed  $n_N$ : 930 min<sup>-1</sup>\*  
 Starting current  $I_s$ : 0.95 A  
 Current increase  $\Delta I$ : 0 %  
 Service capacitor  $C_{400V}$ : 2.5  $\mu$ F  
 Thermal class: **THCL155\***  
 Min. permitted conveyor temperature  $t_{R(min)}$ : -25 °C  
 Max. permitted conveyor temperature  $t_{R(max)}$ : 70 °C  
 Electrical connection: Terminal box  
 Number of blades: 4  
 Protection class: IP54  
 Motor protection: Thermal contact  
 Blades: Aluminium, uncoated  
 Rotor: Aluminium, uncoated  
 Conformity: CE  
**ErP Data**  
 Is not subject to the ErP Guidelines ( $P_1 < 125$  W)  
 \* Rated data

Characteristic curve

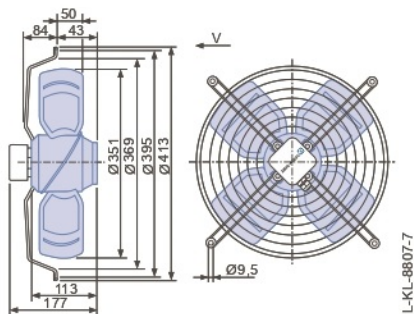


I) Measured in full bell mouth without guard grille in installation type A according to ISO 5801.  
 II-x) Measured in short-bell mouth with compressed side contact protection.

- Connection diagram 1360-104XA Page 608
- System components Page 524

### Dimensions [mm]

← Airflow direction V  
 Design K - axial bolted, mounted for short bell mouth E



### Performance data


Type	Characteristic curve	Voltage	Operating point	Current	Motor input power	Speed	Suction side sound power level $L_{WAS}$ [dB]
		U [V]		I [A]	$P_1$ [W]	n [min <sup>-1</sup> ]	
FB035-6E_2C.V4S	I	230*	②	0.49*	100*	930*	
		230	③	0.43	89	940	
	II	230	⑤	0.40	80	920	61
		230	⑥	0.39	78	940	61
	III	160	⑧	0.36	54	850	60
		160	⑨	0.34	51	870	59
	IV	130	⑪	0.39	45	660	55
		130	⑫	0.37	44	720	54
	V	105	⑭	0.35	32	440	
		105	⑮	0.34	31	460	

\*rated data

### Fan ordering information

**Airflow direction V**

Design K







Type **FB035-6EK.2C.V4S**

Article no. **124159**

Weight [kg] 4.80

### Control technology

<p>Frequency inverter Fcontrol 1~</p>  <p>➤ Page 552</p>	<p>Motor protection units 1~</p>  <p>➤ Page 596</p>	<p>Transformer-based controllers 1~</p>  <p>➤ Page 587</p>	<p>Electronic voltage controllers 1~</p>  <p>➤ Page 562</p>
---	--	---	--

# FB

for three phase alternating current, 4-4 pole

FBO35-VD

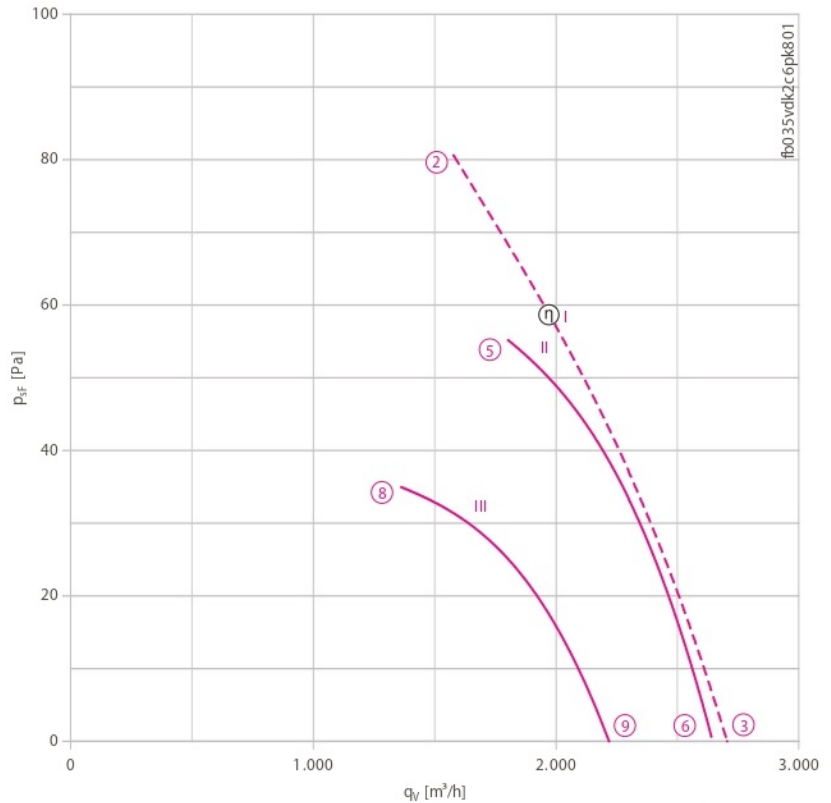


## Description

Motor technology: AC  
 Rated voltage  $U_N$ : 3~ 400 V ( $\Delta/Y$ )  $\pm 10\%$   
 Rated frequency  $f_N$ : 50 Hz\* (60Hz data available)  
 Motor input power  $P_1$ : 0.14/0.09 kW\*  
 Rated current  $I_N$ : 0.25/0.14 A\*  
 Rated speed  $n_N$ : 1320/1050 min<sup>-1</sup>\*  
 Starting current  $I_A$ : 0.80 A / 0.26 A  
 Current increase  $\Delta I$ : 5 %  
 Thermal class: THCL155\*  
 Min. permitted conveyor temperature  $t_{R(min)}$ : -40 °C  
 Max. permitted conveyor temperature  $t_{R(max)}$ : 70 °C  
 Electrical connection: Terminal box  
 Number of blades: 4  
 Protection class: IP54  
 Motor protection: Thermal contact  
 Blades: Aluminium, uncoated  
 Rotor: Aluminium, uncoated  
 Conformity: ErP 2015, CE

**ErP Data**  
 Efficiency  $\eta_{statA}$ : 29.9 %  
 Efficiency:  $N_{actual} = 41.9 / N_{target} = 40$ \*\*  
 \* Rated data  
 \*\*ErP 2015

## Characteristic curve



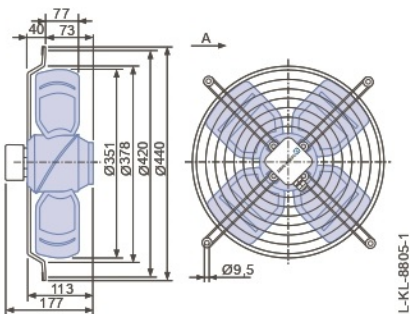
I) Measured in full bell mouth without guard grille in installation type A according to ISO 5801.  
 II-x) Measured in short-bell mouth with compressed side contact protection.

- Connection diagrams Page 608
  - for airflow direction V 1360-108XA
  - for airflow direction A 1360-108XB
- System components Page 524

## Dimensions [mm]

Airflow direction A

Design W - axial bolted, mounting for short bell mouth E







Performance data

Type	Connection	Characteristic curve	Voltage	Operating point	Current	Motor input power	Speed	Suction side sound power level $L_{WA5}$ [dB]
			U [V]		I [A]	$P_1$ [W]	n [min <sup>-1</sup> ]	
FB035-VD_2C_4P	Δ	I	400*	②	0.25*	140*	1320*	
			400	③	0.22	110	1360	68
		400	⑤	0.22	110	1360	73	
	Y	II	400	⑥	0.21	97	1380	67
			400	⑧	0.14	91	1040	66
		400	⑨	0.12	74	1160	62	

\*rated data

Fan ordering information

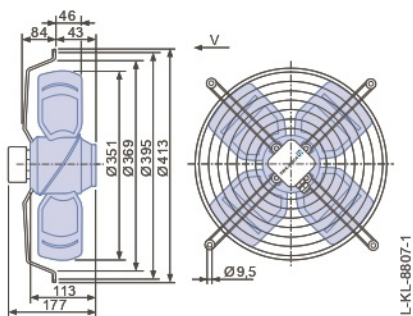
Airflow direction A		Airflow direction V	
Design	W		K
			
Type	FB035-VDW.2C.A4P		FB035-VDK.2C.V4P
Article no.	106939		124151
Weight [kg]	4.50		4.80

Control technology

<p>Frequency inverter Fcontrol 3~</p>  <p>Page 558</p>	<p>Motor protection units 3~</p>  <p>Page 596</p>	<p>Transformer-based controllers 3~</p>  <p>Page 591</p>	<p>Electronic voltage controllers 3~</p>  <p>Page 578</p>
--	---	--	---

Airflow direction V

Design K - axial bolted, mounted for short bell mouth E



# FB

for three phase alternating current, 4-4 pole

FBO35-VD

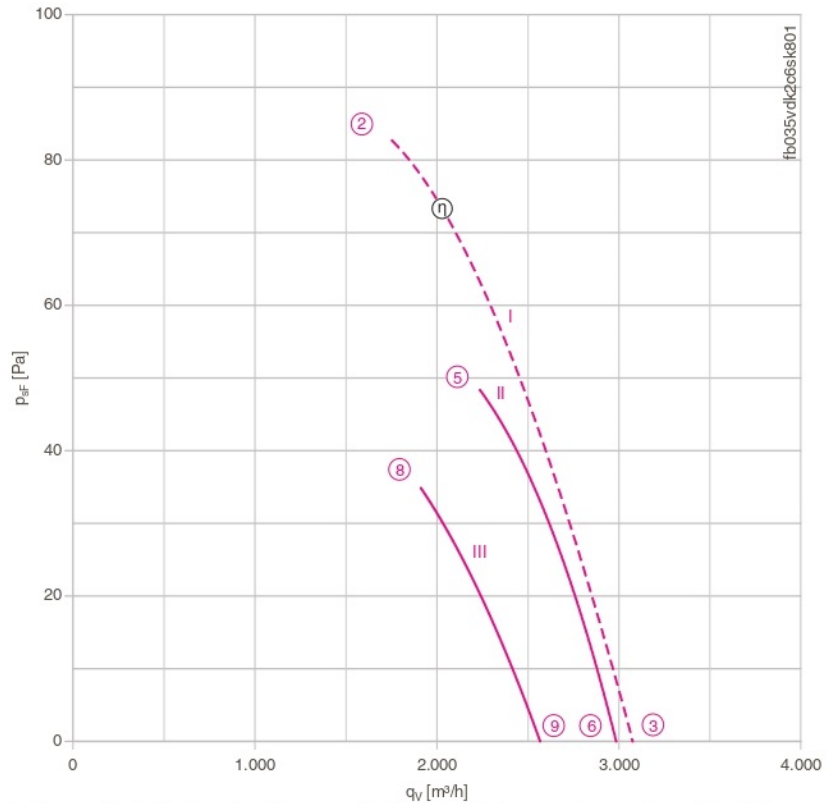


## Description

Motor technology: AC  
 Rated voltage  $U_N$ : 3~ 400 V ( $\Delta/Y$ )  $\pm 10$  %\*  
 Rated frequency  $f_N$ : 50 Hz\* (60Hz data available)  
 Motor input power  $P_1$ : 0.18/0.13 kW\*  
 Rated current  $I_N$ : 0.37/0.21 A\*  
 Rated speed  $n_N$ : 1320/1040 min<sup>-1</sup>\*  
 Starting current  $I_s$ : 1.30 A / 0.42 A  
 Current increase  $\Delta I$ : 0 %  
 Thermal class: THCL155\*  
 Min. permitted conveyor temperature  $t_{R(min)}$ : -40 °C  
 Max. permitted conveyor temperature  $t_{R(max)}$ : 70 °C  
 Electrical connection: Terminal box  
 Number of blades: 4  
 Protection class: IP54  
 Motor protection: Thermal contact  
 Blades: Aluminium, uncoated  
 Rotor: Aluminium, uncoated  
 Conformity: ErP 2015, CE

**ErP Data**  
 Efficiency  $\eta_{statA}$ : 26.9 %  
 Efficiency:  $N_{actual} = 40.2 / N_{target} = 40$ \*\*  
 Frequency inverter required  
 \* Rated data  
 \*\*ErP 2015

## Characteristic curve



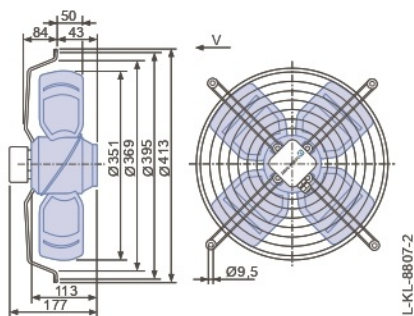
I) Measured in full bell mouth without guard grille in installation type A according to ISO 5801.  
 II-x) Measured in short-bell mouth with compressed side contact protection.

- Connection diagram 1360-108XA Page 608
- System components Page 524

## Dimensions [mm]

← Airflow direction V

Design K - axial bolted, mounted for short bell mouth E



### Performance data

Type	Connection	Characteristic curve	Voltage	Operating point	Current	Motor input power	Speed	Suction side sound power level
			U [V]		I [A]	P <sub>1</sub> [W]	n [min <sup>-1</sup> ]	L <sub>WA5</sub> [dB]
FB035-VD_2C.V4S	Δ	I	400*	②	0.37*	180*	1320*	
			400	③	0.34	150	1400	71
		II	400	⑤	0.37	170	1380	71
	Y	II	400	⑥	0.36	160	1390	71
			III	400	⑧	0.20	125	1180
		III	400	⑨	0.19	120	1200	67

\*rated data

### Fan ordering information



Design K



Type **FB035-VDK.2C.V4S**

Article no. **124152**

Weight [kg] 4.80

### Control technology

Frequency inverter  
Fcontrol 3~



➤ Page 558

Motor protection units  
3~



➤ Page 596

Transformer-based  
controllers 3~



➤ Page 591

Electronic voltage  
controllers 3~



➤ Page 578



# FB

for three phase alternating current, 6-6 pole

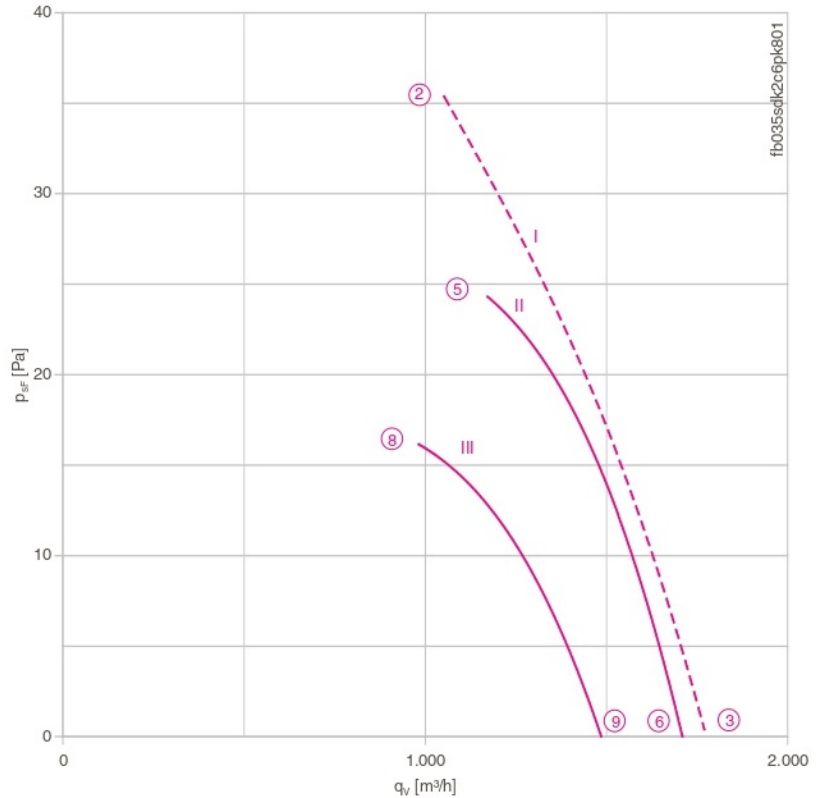
FBO35-SD



### Description

Motor technology: AC  
 Rated voltage  $U_N$ : 3~ 400 V ( $\Delta/Y$ )  $\pm 10$  %\*  
 Rated frequency  $f_N$ : 50 Hz\* (60Hz data available)  
 Motor input power  $P_1$ : 0.05/0.03 kW\*  
 Rated current  $I_N$ : 0.10/0.05 A\*  
 Rated speed  $n_N$ : 860/ 670 min<sup>-1</sup>\*  
 Starting current  $I_x$ : 0.27 A / 0.09 A  
 Current increase  $\Delta I$ : 0 %  
 Thermal class: **THCL155**\*  
 Min. permitted conveyor temperature  $t_{R(min)}$ : -40 °C  
 Max. permitted conveyor temperature  $t_{R(max)}$ : 70 °C  
 Electrical connection: Terminal box  
 Number of blades: 4  
 Protection class: IP54  
 Motor protection: Thermal contact  
 Blades: Aluminium, uncoated  
 Rotor: Aluminium, uncoated  
 Conformity: CE  
**ErP Data**  
 Is not subject to the ErP Guidelines ( $P_1 < 125$  W)  
 \* Rated data

### Characteristic curve



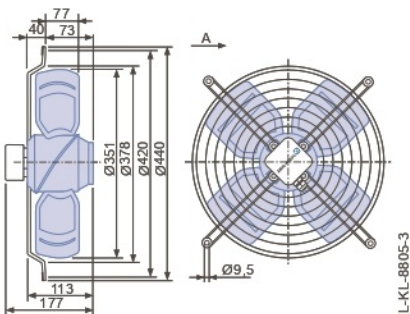
I) Measured in full bell mouth without guard grille in installation type A according to ISO 5801.  
 II-x) Measured in short-bell mouth with compressed side contact protection.

- Connection diagrams Page 608
  - for airflow direction V 1360-108XA
  - for airflow direction A 1360-108XB
- System components Page 524

### Dimensions [mm]

Airflow direction A

Design W - axial bolted, mounting for short bell mouth E





Performance data




Type	Connection	Characteristic curve	Voltage	Operating point	Current	Motor input power	Speed	Suction side sound power level $L_{WA5}$ [dB]
			U [V]					
FB035-SD_2C_4P	Δ	I	400*	②	0.10*	50*	860*	
			400	③	0.09	38	920	59
			400	⑤	0.10	38	890	60
	Y	III	400	⑥	0.09	34	910	58
			400	⑧	0.06	28	790	57
			400	⑨	0.05	26	760	54

\*rated data

Fan ordering information

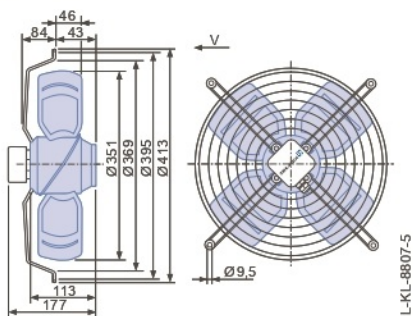
Airflow direction A		Airflow direction V	
Design	W		K
			
Type	FB035-SDW.2C.A4P		FB035-SDK.2C.V4P
Article no.	107068		124157
Weight [kg]	4.50		4.80

Control technology

<p>Frequency inverter Fcontrol 3~</p>  <p>Page 558</p>	<p>Motor protection units 3~</p>  <p>Page 596</p>	<p>Transformer-based controllers 3~</p>  <p>Page 591</p>	<p>Electronic voltage controllers 3~</p>  <p>Page 578</p>
--	---	--	---

Airflow direction V

Design K - axial bolted, mounted for short bell mouth E



# FB

for three phase alternating current, 6-6 pole

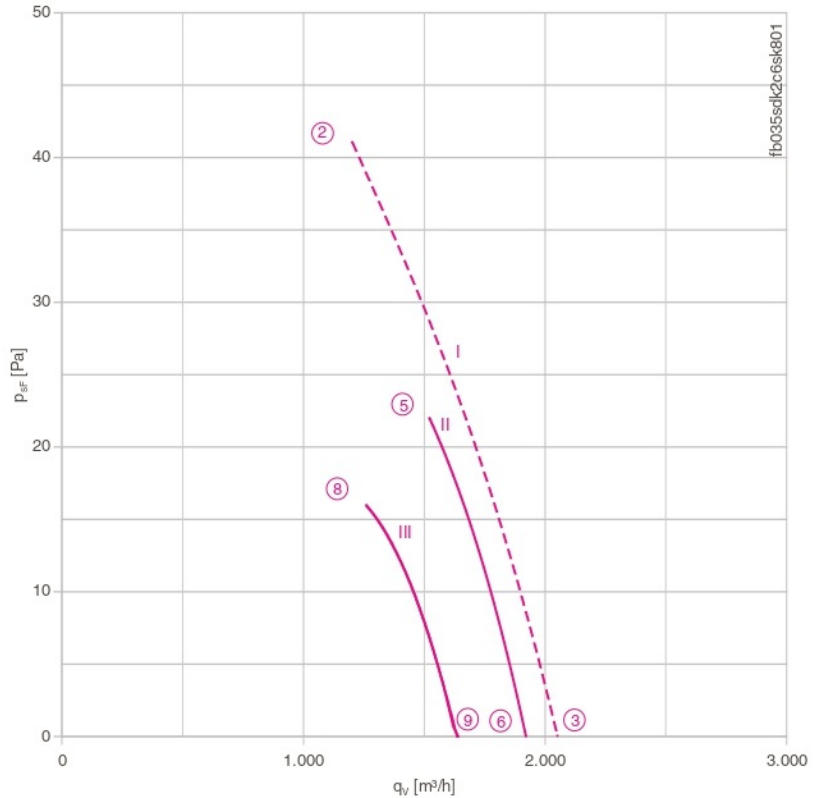
FBO35-SD



### Description

Motor technology: AC  
 Rated voltage  $U_N$ : 3~ 400 V ( $\Delta/Y$ )  $\pm 10$  %\*  
 Rated frequency  $f_N$ : 50 Hz\* (60Hz data available)  
 Motor input power  $P_1$ : 0.07/0.04 kW\*  
 Rated current  $I_N$ : 0.17/0.08 A\*  
 Rated speed  $n_N$ : 880/ 700 min<sup>-1</sup>\*  
 Starting current  $I_x$ : 0.42 A / 0.14 A  
 Current increase  $\Delta I$ : 0 %  
 Thermal class: THCL155\*  
 Min. permitted conveyor temperature  $t_{R(min)}$ : -40 °C  
 Max. permitted conveyor temperature  $t_{R(max)}$ : 70 °C  
 Electrical connection: Terminal box  
 Number of blades: 4  
 Protection class: IP54  
 Motor protection: Thermal contact  
 Blades: Aluminium, uncoated  
 Rotor: Aluminium, uncoated  
 Conformity: CE  
**ErP Data**  
 Is not subject to the ErP Guidelines ( $P_1 < 125$  W)  
 \* Rated data

### Characteristic curve



I) Measured in full bell mouth without guard grille in installation type A according to ISO 5801.  
 II-x) Measured in short-bell mouth with compressed side contact protection.

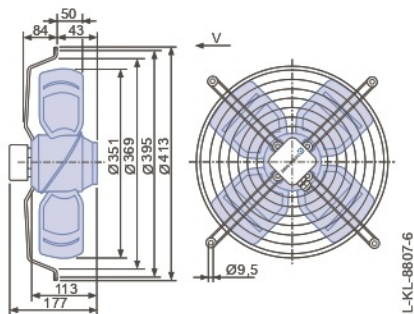
➤ Connection diagram 1360-108XA Page 608

➤ System components Page 524

### Dimensions [mm]



Design K - axial bolted, mounted for short bell mouth E





### Performance data


Type	Connection	Characteristic curve	Voltage	Operating point	Current	Motor input power	Speed	Suction side sound power level
			U [V]		I [A]	P <sub>1</sub> [W]	n [min <sup>-1</sup> ]	L <sub>WA5</sub> [dB]
FB035-SD_.2C.V4S	Δ	I	400*	②	0.17*	70*	880*	
			400	③	0.16	57	920	61
		II	400	⑤	0.16	58	920	64
	Y	II	400	⑥	0.15	54	930	60
			III	400	⑧	0.08	39	760
		III	400	⑨	0.07	37	790	57

\*rated data

### Fan ordering information




**Airflow direction V**

Design K



**Type** FB035-SDK.2C.V4S  
**Article no.** 210514  
**Weight [kg]** 4.80

### Control technology

<p>Frequency inverter Fcontrol 3~</p>  <p>Page 558</p>	<p>Motor protection units 3~</p>  <p>Page 596</p>	<p>Transformer-based controllers 3~</p>  <p>Page 591</p>	<p>Electronic voltage controllers 3~</p>  <p>Page 578</p>
--	---	--	---

Information

FE2owlet  
ECblue

FE2owlet

FB

FC

System  
components

Control  
technology

Appendix

# FB

for single phase alternating current, 4 pole

FBO40-4E

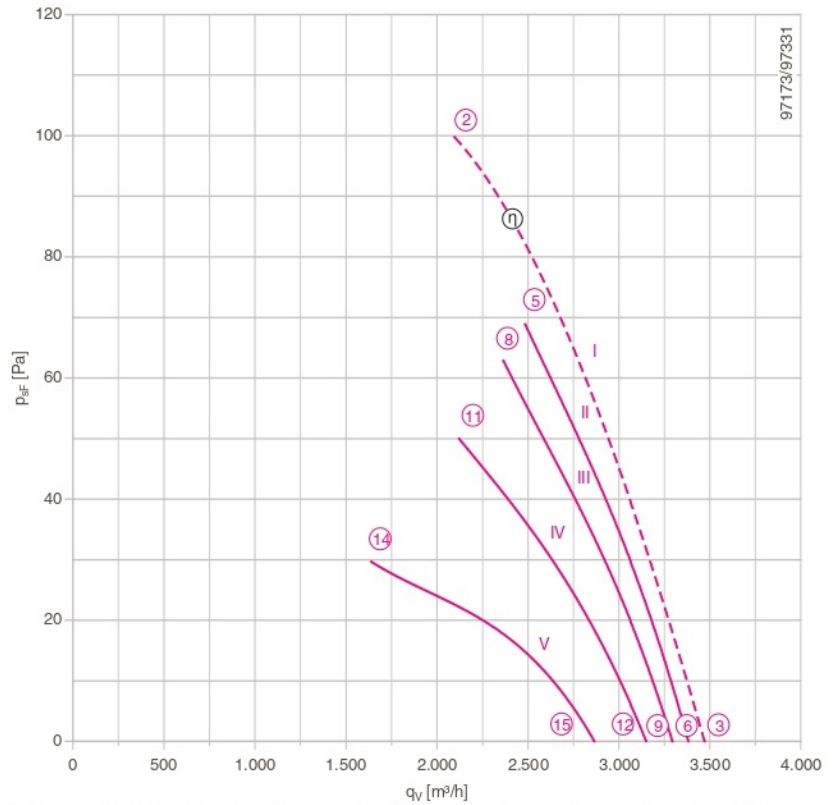


### Description

Motor technology: AC  
 Rated voltage  $U_N$ : 1 ~ 230 V ± 10 %\*  
 Rated frequency  $f_N$ : 50 Hz\* (60Hz data available)  
 Motor input power  $P_1$ : 0.20 kW\*  
 Rated current  $I_N$ : 0.94 A\*  
 Rated speed  $n_N$ : 1410 min<sup>-1</sup>\*  
 Current increase  $\Delta I$ : 0 %  
 Service capacitor  $C_{400V}$ : 4.0 μF  
 Thermal class: THCL155\*  
 Min. permitted conveyor temperature  $t_{R(min)}$ : -25 °C  
 Max. permitted conveyor temperature  $t_{R(max)}$ : 70 °C  
 Electrical connection: Terminal box  
 Number of blades: 4  
 Protection class: IP54  
 Motor protection: Thermal contact  
 Blades: Aluminium, uncoated  
 Rotor: Aluminium, uncoated  
 Conformity: ErP 2015, CE

**ErP Data**  
 Efficiency  $\eta_{statA}$ : 30.4 %  
 Efficiency:  $N_{actual} = 41.2 / N_{target} = 40$ \*\*  
 \* Rated data  
 \*\*ErP 2015

### Characteristic curve



I) Measured in full bell mouth without guard grille in installation type A according to ISO 5801.  
 II-x) Measured in short-bell mouth with compressed side contact protection.

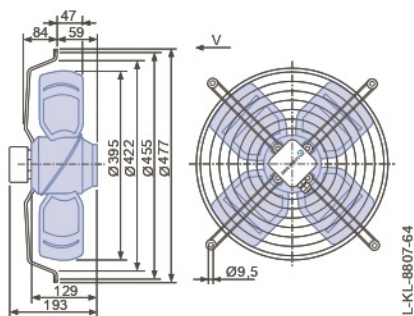
➤ Connection diagram 1360-104XA Page 608

➤ System components Page 524

### Dimensions [mm]



Design K - axial bolted, mounted for short bell mouth E



### Performance data


Type	Characteristic curve	Voltage	Operating point	Current	Motor input power	Speed	Suction side sound power level
		U [V]		I [A]	P <sub>i</sub> [W]	n [min <sup>-1</sup> ]	
FB040-4E_2F_4L	I	230*	②	0.94*	200*	1410*	77
		230	③	0.74	150	1450	71
	II	230	⑤	0.90	190	1420	69
		230	⑥	0.76	160	1450	68
	III	170	⑧	0.94	160	1350	67
		170	⑨	0.70	120	1410	67
	IV	135	⑪	1.10	140	1210	65
		135	⑫	0.76	100	1340	66
	V	110	⑭	1.20	130	930	60
		110	⑮	0.88	95	1220	64

\*rated data

### Fan ordering information

**Airflow direction V**

Design K




Type **FB040-4EK.2F.V4L**

Article no. **160119**

Weight [kg] 6.40

### Control technology

<p>Frequency inverter Fcontrol 1~</p>  <p>Page 552</p>	<p>Motor protection units 1~</p>  <p>Page 596</p>	<p>Transformer-based controllers 1~</p>  <p>Page 587</p>	<p>Electronic voltage controllers 1~</p>  <p>Page 562</p>
---	--	---	--



# FB

for single phase alternating current, 4 pole

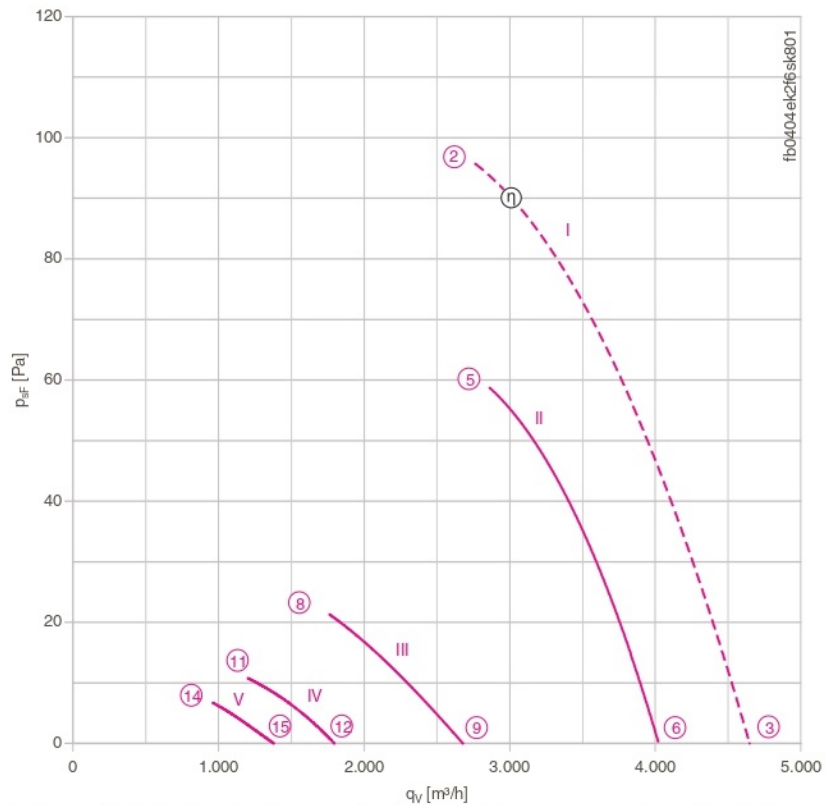
FBO40-4E



## Description

Motor technology: AC  
 Rated voltage  $U_N$ : 1 ~ 230 V  $\pm 10\%$  \*  
 Rated frequency  $f_N$ : 50 Hz \*  
 Motor input power  $P_1$ : 0.32 kW \*  
 Rated current  $I_N$ : 1.50 A \*  
 Rated speed  $n_N$ : 1270 min<sup>-1</sup> \*  
 Starting current  $I_a$ : 2.60 A  
 Current increase  $\Delta I$ : 0 %  
 Service capacitor  $C_{400V}$ : 5.0  $\mu F$   
 Thermal class: **THCL155** \*  
 Min. permitted conveyor temperature  $t_{R(min)}$ : -25 °C  
 Max. permitted conveyor temperature  $t_{R(max)}$ : 40 °C  
 Electrical connection: Terminal box  
 Number of blades: 4  
 Protection class: IP54  
 Motor protection: Thermal contact  
 Blades: Aluminium, uncoated  
 Rotor: Aluminium, uncoated  
 \* Rated data

## Characteristic curve



I) Measured in full bell mouth without guard grille in installation type A according to ISO 5801.  
 II-x) Measured in short-bell mouth with compressed side contact protection.

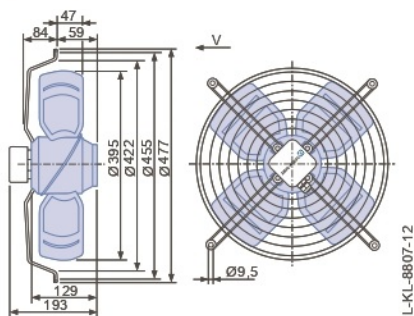
➤ Connection diagram 1360-104XA Page 608

➤ System components Page 524

## Dimensions [mm]



Design K - axial bolted, mounted for short bell mouth E



Performance data

Type	Characteristic curve	Voltage	Operating point	Current	Motor input power	Speed	Suction side sound power level $L_{WA5}$ [dB]	Max. permitted media temperature $t_{R+}$ [°C]
		U [V]		I [A]	$P_1$ [W]	n [min <sup>-1</sup> ]		
FB040-4E_2F.V4S	I	230*	②	1.50*	320*	1270*		40
		230	③	1.25	250	1360	73	
	II	230	⑤	1.35	280	1320	73	50
		230	⑥	1.25	250	1350	72	
	III	160	⑧	1.40	190	800	61	
		160	⑨	1.35	175	900	63	
	IV	130	⑪	1.15	120	570	53	
		130	⑫	1.10	115	620	54	
	V	105	⑭	0.91	75	430		
		105	⑮	0.90	74	460		

\*rated data

Fan ordering information

← Airflow direction V

Design K



Type **FB040-4EK.2F.V4S**

Article no. **124163**

Weight [kg] 6.40

Control technology

Frequency inverter  
Fcontrol 1~



➤ Page 552

Motor protection units  
1~



➤ Page 596

Transformer-based  
controllers 1~



➤ Page 587

Electronic voltage  
controllers 1~



➤ Page 562

# FB

for single phase alternating current, 6 pole

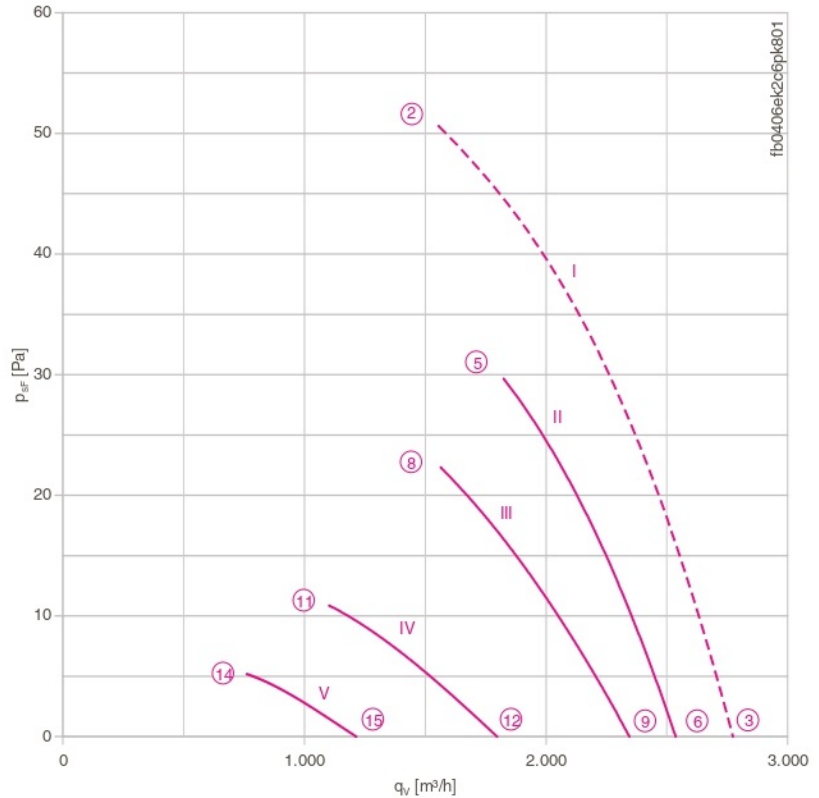
FBO40-6E



### Description

Motor technology: AC  
 Rated voltage  $U_N$ : 1 ~ 230 V ± 10 %\*  
 Rated frequency  $f_N$ : 50 Hz\* (60Hz data available)  
 Motor input power  $P_1$ : 0.11 kW\*  
 Rated current  $I_N$ : 0.50 A\*  
 Rated speed  $n_N$ : 900 min<sup>-1</sup>\*  
 Starting current  $I_a$ : 0.95 A  
 Current increase  $\Delta I$ : 0 %  
 Service capacitor  $C_{400V}$ : 3.0  $\mu$ F  
 Thermal class: **THCL155\***  
 Min. permitted conveyor temperature  $t_{R(min)}$ : -25 °C  
 Max. permitted conveyor temperature  $t_{R(max)}$ : 70 °C  
 Electrical connection: Terminal box  
 Number of blades: 4  
 Protection class: IP54  
 Motor protection: Thermal contact  
 Blades: Aluminium, uncoated  
 Rotor: Aluminium, uncoated  
 Conformity: CE  
**ErP Data**  
 Is not subject to the ErP Guidelines ( $P_1 < 125$  W)  
 \* Rated data

### Characteristic curve



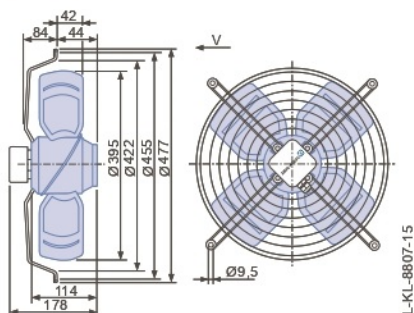
I) Measured in full bell mouth without guard grille in installation type A according to ISO 5801.  
 II-x) Measured in short-bell mouth with compressed side contact protection.

- Connection diagram      1360-104XA      Page 608
- System components                      Page 524

### Dimensions [mm]

← Airflow direction V

Design K - axial bolted, mounted for short bell mouth E



### Performance data


Type	Characteristic curve	Voltage	Operating point	Current	Motor input power	Speed	Suction side sound power level $L_{WAS}$ [dB]
		U [V]		I [A]	$P_i$ [W]	n [min <sup>-1</sup> ]	
FB040-6E_2C.V4P	I	<b>230*</b>	②	<b>0.50*</b>	<b>110*</b>	<b>900*</b>	
		230	③	0.42	90	930	64
	II	230	⑤	0.44	100	920	65
		230	⑥	0.42	90	930	61
	III	160	⑧	0.42	65	810	62
		160	⑨	0.38	59	860	61
	IV	130	⑪	0.43	51	560	
		130	⑫	0.40	49	670	
	V	105	⑭	0.37	35	390	
		105	⑮	0.36	34	450	

\*rated data

### Fan ordering information

**Airflow direction V**

Design K



Type **FB040-6EK.2C.V4P**

Article no. **124164**

Weight [kg] 5.50

### Control technology

<p>Frequency inverter Fcontrol 1~</p>  <p>➤ Page 552</p>	<p>Motor protection units 1~</p>  <p>➤ Page 596</p>	<p>Transformer-based controllers 1~</p>  <p>➤ Page 587</p>	<p>Electronic voltage controllers 1~</p>  <p>➤ Page 562</p>
---	--	---	--



# FB

for single phase alternating current, 6 pole

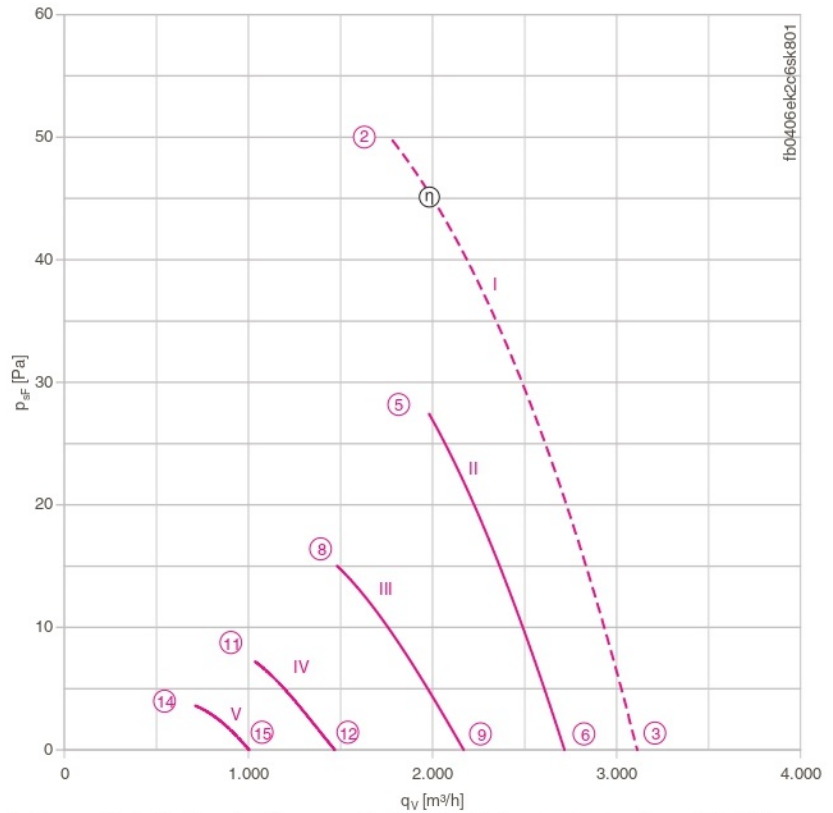
FBO40-6E



### Description

Motor technology: AC  
 Rated voltage  $U_N$ : 1 ~ 230 V ± 10 %\*  
 Rated frequency  $f_N$ : 50 Hz\* (60Hz data available)  
 Motor input power  $P_1$ : 0.13 kW\*  
 Rated current  $I_N$ : 0.60 A\*  
 Rated speed  $n_N$ : 890 min<sup>-1</sup>\*  
 Starting current  $I_a$ : 0.95 A  
 Current increase  $\Delta I$ : 0 %  
 Service capacitor  $C_{400V}$ : 3.0  $\mu$ F  
 Thermal class: **THCL155\***  
 Min. permitted conveyor temperature  $t_{R(min)}$ : -25 °C  
 Max. permitted conveyor temperature  $t_{R(max)}$ : 70 °C  
 Electrical connection: Terminal box  
 Number of blades: 4  
 Protection class: IP54  
 Motor protection: Thermal contact  
 Blades: Aluminium, uncoated  
 Rotor: Aluminium, uncoated  
 \* Rated data

### Characteristic curve



I) Measured in full bell mouth without guard grille in installation type A according to ISO 5801.  
 II-x) Measured in short-bell mouth with compressed side contact protection.

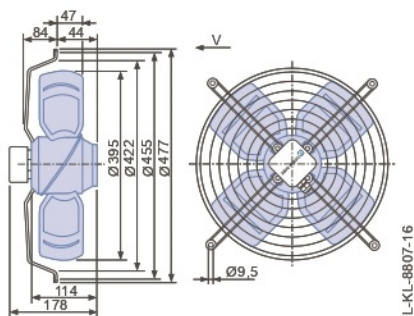
➤ Connection diagram 1360-104XA Page 608

➤ System components Page 524

### Dimensions [mm]



Design K - axial bolted, mounted for short bell mouth E



### Performance data


Type	Characteristic curve	Voltage	Operating point	Current	Motor input power	Speed	Suction side sound power level $L_{WAS}$ [dB]
		U [V]		I [A]	$P_i$ [W]	n [min <sup>-1</sup> ]	
FB040-6E_2C.V4S	I	<b>230*</b>	②	<b>0.60*</b>	<b>130*</b>	<b>890*</b>	
		230	③	0.53	115	920	65
	II	230	⑤	0.48	110	900	63
		230	⑥	0.46	100	910	63
	III	160	⑧	0.48	72	690	56
		160	⑨	0.46	69	730	57
	IV	130	⑪	0.43	53	420	50
		130	⑫	0.42	50	500	51
	V	105	⑭	0.35	33	340	
		105	⑮	0.35	33	360	

\*rated data

### Fan ordering information

**Airflow direction V**


Design K



Type **FB040-6EK.2C.V4S**  
Article no. **124165**

Weight [kg] 5.50

### Control technology

<p>Frequency inverter Fcontrol 1~</p>  <p>➤ Page 552</p>	<p>Motor protection units 1~</p>  <p>➤ Page 596</p>	<p>Transformer-based controllers 1~</p>  <p>➤ Page 587</p>	<p>Electronic voltage controllers 1~</p>  <p>➤ Page 562</p>
---	--	---	--

# FB

for three phase alternating current, 4-4 pole

FBO40-VD

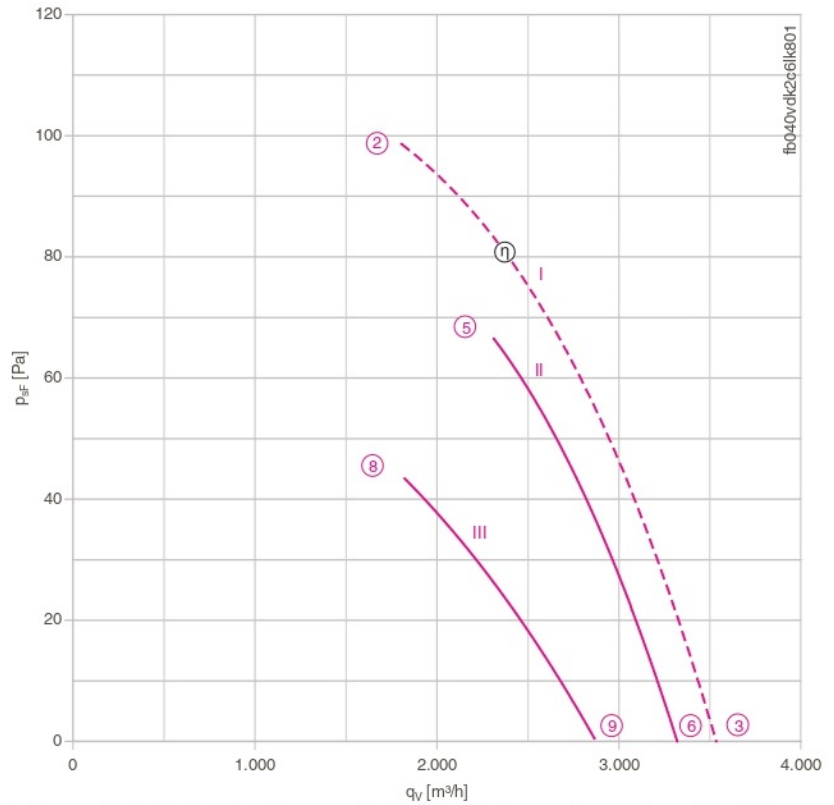


## Description

Motor technology: AC  
 Rated voltage  $U_N$ : 3~ 400 V ( $\Delta/Y$ )  $\pm 10$  %\*  
 Rated frequency  $f_N$ : 50 Hz\* (60Hz data available)  
 Motor input power  $P_1$ : 0.18/0.12 kW\*  
 Rated current  $I_N$ : 0.35/0.19 A\*  
 Rated speed  $n_N$ : 1300/1000 min<sup>-1</sup>\*  
 Starting current  $I_a$ : 1.00 A / 0.34 A  
 Current increase  $\Delta I$ : 5 %  
 Thermal class: THCL155\*  
 Min. permitted conveyor temperature  $t_{R(min)}$ : -40 °C  
 Max. permitted conveyor temperature  $t_{R(max)}$ : 70 °C  
 Electrical connection: Terminal box  
 Number of blades: 4  
 Protection class: IP54  
 Motor protection: Thermal contact  
 Blades: Aluminium, uncoated  
 Rotor: Aluminium, uncoated  
 Conformity: ErP 2015, CE

**ErP Data**  
 Efficiency  $\eta_{statA}$ : 33.8 %  
 Efficiency:  $N_{actual} = 45.2 / N_{target} = 40$ \*\*  
 \* Rated data  
 \*\*ErP 2015

## Characteristic curve



I) Measured in full bell mouth without guard grille in installation type A according to ISO 5801.  
 II-x) Measured in short-bell mouth with compressed side contact protection.

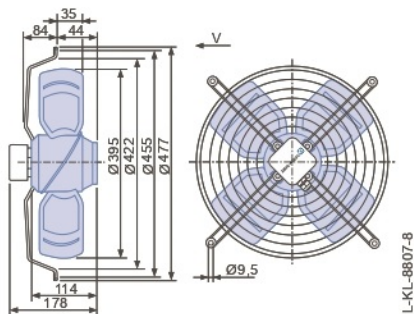
➤ Connection diagram 1360-108XA Page 608

➤ System components Page 524

## Dimensions [mm]



Design K - axial bolted, mounted for short bell mouth E



### Performance data


Type	Connection	Characteristic curve	Voltage	Operating point	Current	Motor input power	Speed	Suction side sound power level $L_{WA5}$ [dB]
			U [V]		I [A]	$P_1$ [W]	n [min <sup>-1</sup> ]	
FB040-VD_2C.V4L	Δ	I	400*	②	0.35*	180*	1300*	
			400	③	0.28	120	1390	72
		II	400	⑤	0.29	150	1350	77
	Y	III	400	⑥	0.26	115	1400	68
			400	⑧	0.18	110	1070	70
		400	⑨	0.14	88	1190	64	

\*rated data

### Fan ordering information




← Airflow direction V

Design K



**Type** FB040-VDK.2C.V4L  
**Article no.** 124154  
**Weight [kg]** 5.50

### Control technology

<p>Frequency inverter Fcontrol 3~</p>  <p>➤ Page 558</p>	<p>Motor protection units 3~</p>  <p>➤ Page 596</p>	<p>Transformer-based controllers 3~</p>  <p>➤ Page 591</p>	<p>Electronic voltage controllers 3~</p>  <p>➤ Page 578</p>
--	---	--	---





Performance data


Type	Connection	Characteristic curve	Voltage	Operating point	Current	Motor input power	Speed	Suction side sound power level
			U [V]		I [A]	P <sub>1</sub> [W]	n [min <sup>-1</sup> ]	L <sub>WAS</sub> [dB]
FB040-VD_2C.V4P	Δ	I	400*	②	0.45*	240*	1340*	
			400	③	0.39	165	1410	73
		II	400	⑤	0.33	175	1330	74
	Y	III	400	⑥	0.31	155	1360	70
			400	⑧	0.21	135	980	66
		400	⑨	0.18	110	1100	65	

\*rated data

Fan ordering information




← Airflow direction V

Design K



**Type** FB040-VDK.2C.V4P  
**Article no.** 124155  
**Weight [kg]** 5.50

Control technology

<p>Frequency inverter Fcontrol 3~</p>  <p>➤ Page 558</p>	<p>Motor protection units 3~</p>  <p>➤ Page 596</p>	<p>Transformer-based controllers 3~</p>  <p>➤ Page 591</p>	<p>Electronic voltage controllers 3~</p>  <p>➤ Page 578</p>
--	---	--	---

# FB

for three phase alternating current, 4-4 pole

FBO40-VD



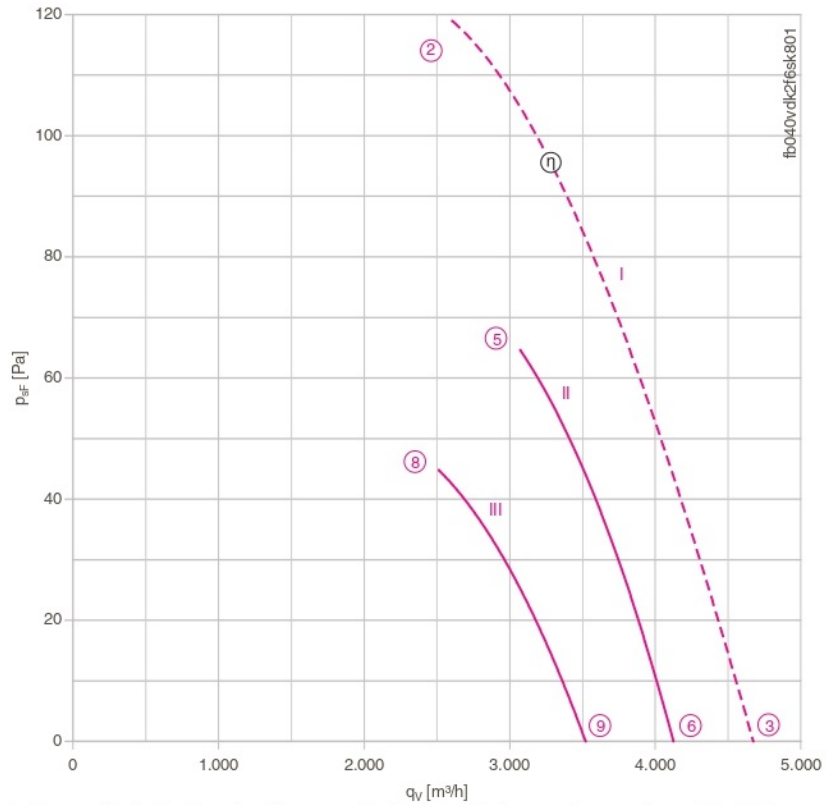
## Description

Motor technology: AC  
 Rated voltage  $U_N$ : 3~ 400 V ( $\Delta/Y$ )  $\pm 10$  %\*  
 Rated frequency  $f_N$ : 50 Hz\*  
 Motor input power  $P_1$ : 0.32/0.23 kW\*  
 Rated current  $I_N$ : 0.66/0.38 A\*  
 Rated speed  $n_N$ : 1350/1050 min<sup>-1</sup>\*  
 Starting current  $I_s$ : 2.00 A / 0.65 A  
 Current increase  $\Delta I$ : 5 %  
 Thermal class: **THCL155\***  
 Min. permitted conveyor temperature  $t_{R(min)}$ : -40 °C  
 Max. permitted conveyor temperature  $t_{R(max)}$ : 70 °C  
 Electrical connection: Terminal box  
 Number of blades: 4  
 Protection class: IP54  
 Motor protection: Thermal contact  
 Blades: Aluminium, uncoated  
 Rotor: Aluminium, uncoated  
 Conformity: ErP 2015, CE

## ErP Data

Efficiency  $\eta_{statA}$ : 28.8 %  
 Efficiency:  $N_{actual} = 40.6 / N_{target} = 40$ \*\*  
 Frequency inverter required  
 \* Rated data  
 \*\*ErP 2015

## Characteristic curve



I) Measured in full bell mouth without guard grille in installation type A according to ISO 5801.  
 II-x) Measured in short-bell mouth with compressed side contact protection.

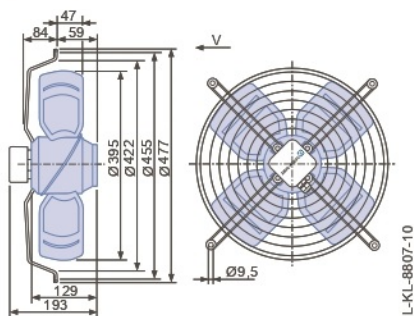
➤ Connection diagram 1360-108XA Page 608

➤ System components Page 524

## Dimensions [mm]



Design K - axial bolted, mounted for short bell mouth E



Performance data

Type	Connection	Characteristic curve	Voltage	Operating point	Current	Motor input power	Speed	Suction side sound power level
			U [V]		I [A]	P <sub>1</sub> [W]	n [min <sup>-1</sup> ]	L <sub>WA5</sub> [dB]
FB040-VD_.2F.V4S	Δ	I	400*	②	0.63*	320*	1350*	
			400	③	0.55	240	1400	74
		II	400	⑤	0.50	250	1370	76
	Y	II	400	⑥	0.47	220	1390	74
			III	400	⑧	0.30	190	1150
		III	400	⑨	0.28	170	1190	70

\*rated data

Fan ordering information



Design K



Type **FB040-VDK.2F.V4S**

Article no. **124156**

Weight [kg] 6.40

Control technology

Frequency inverter  
Fcontrol 3~



Page 558

Motor protection units  
3~



Page 596

Transformer-based  
controllers 3~



Page 591

Electronic voltage  
controllers 3~



Page 578



# FB

for three phase alternating current, 6-6 pole

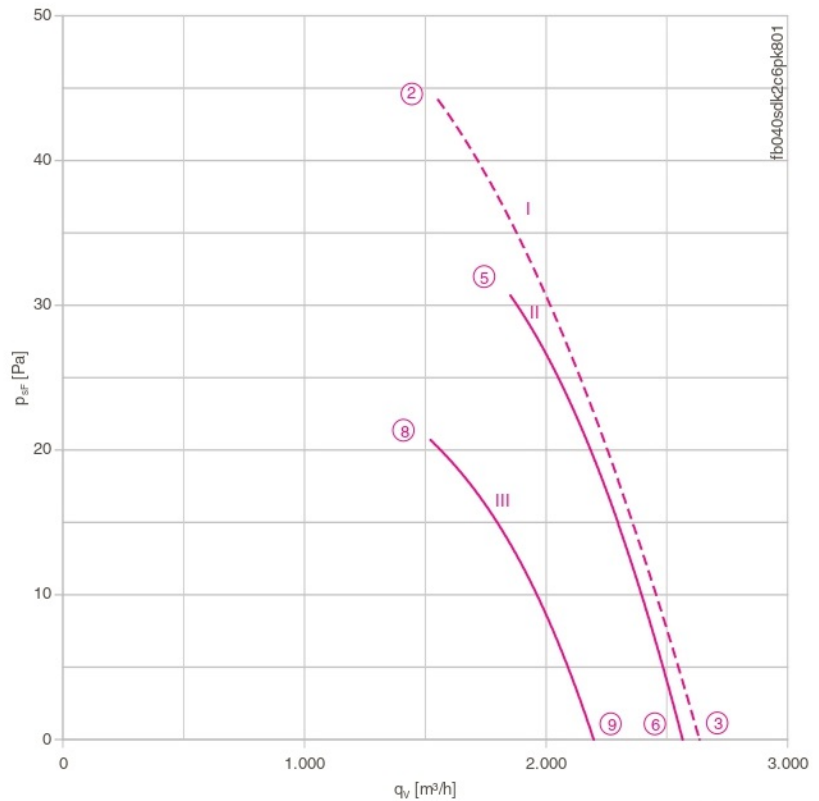
FBO40-SD



## Description

Motor technology: AC  
 Rated voltage  $U_N$ : 3~ 400 V ( $\Delta/Y$ )  $\pm 10$  %\*  
 Rated frequency  $f_N$ : 50 Hz\* (60Hz data available)  
 Motor input power  $P_1$ : 0.09/0.06 kW\*  
 Rated current  $I_N$ : 0.23/0.11 A\*  
 Rated speed  $n_N$ : 900/ 730 min<sup>-1</sup>\*  
 Starting current  $I_A$ : 0.51 A / 0.17 A  
 Current increase  $\Delta I$ : 0 %  
 Thermal class: THCL155\*  
 Min. permitted conveyor temperature  $t_{R(min)}$ : -40 °C  
 Max. permitted conveyor temperature  $t_{R(max)}$ : 70 °C  
 Electrical connection: Terminal box  
 Number of blades: 4  
 Protection class: IP54  
 Motor protection: Thermal contact  
 Blades: Aluminium, uncoated  
 Rotor: Aluminium, uncoated  
 Conformity: CE  
**ErP Data**  
 Is not subject to the ErP Guidelines ( $P_1 < 125$  W)  
 \* Rated data

## Characteristic curve

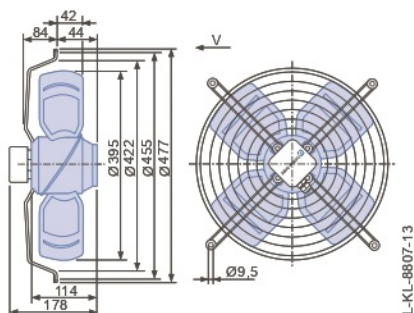


I) Measured in full bell mouth without guard grille in installation type A according to ISO 5801.  
 II-x) Measured in short-bell mouth with compressed side contact protection.

- Connection diagram 1360-108XA Page 608
- System components Page 524

## Dimensions [mm]

← Airflow direction V  
 Design K - axial bolted, mounted for short bell mouth E



Performance data


Type	Connection	Characteristic curve	Voltage	Operating point	Current	Motor input power	Speed	Suction side sound power level
			U [V]		I [A]	P <sub>1</sub> [W]	n [min <sup>-1</sup> ]	L <sub>WA5</sub> [dB]
FB040-SD_2C.V4P	Δ	I	400*	②	0.23*	90*	900*	
			400	③	0.21	70	920	64
		400	⑤	0.21	80	920	62	
	Y	II	400	⑥	0.20	70	930	62
			400	⑧	0.11	54	770	57
		400	⑨	0.09	48	820	58	

\*rated data

Fan ordering information




← Airflow direction V

Design K



**Type** FB040-SDK.2C.V4P  
**Article no.** 124160  
**Weight [kg]** 5.50

Control technology

<p>Frequency inverter Fcontrol 3~</p>  <p>➤ Page 558</p>	<p>Motor protection units 3~</p>  <p>➤ Page 596</p>	<p>Transformer-based controllers 3~</p>  <p>➤ Page 591</p>	<p>Electronic voltage controllers 3~</p>  <p>➤ Page 578</p>
--	---	--	---

# FB

for three phase alternating current, 6-6 pole

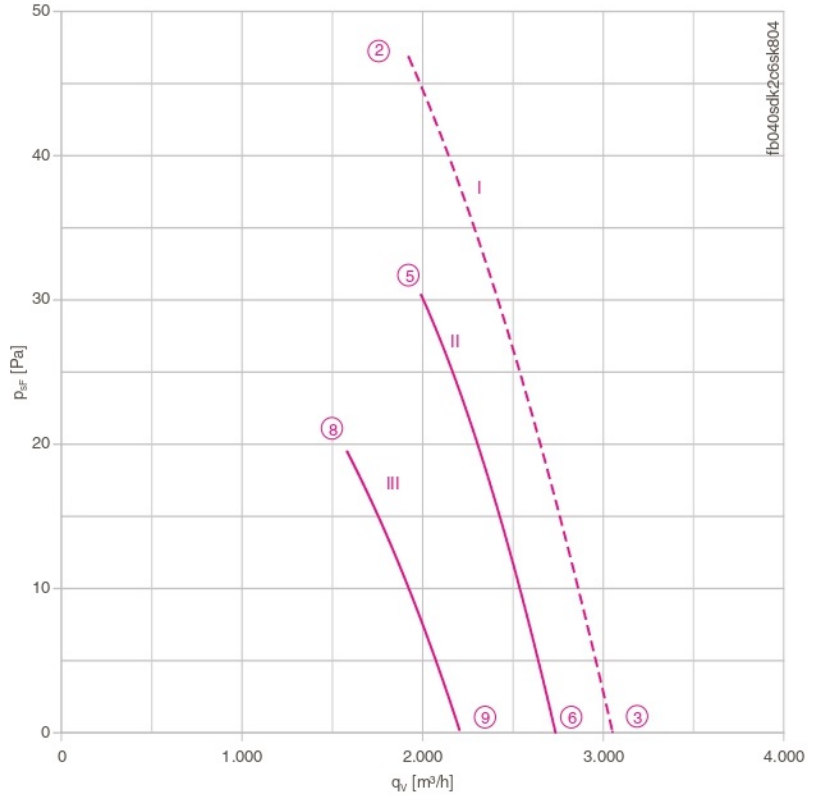
FBO40-SD



### Description

Motor technology: AC  
 Rated voltage  $U_N$ : 3~ 400 V ( $\Delta/Y$ )  $\pm 10\%$ \*  
 Rated frequency  $f_N$ : 50 Hz\* (60Hz data available)  
 Motor input power  $P_1$ : 0.12/0.08 kW\*  
 Rated current  $I_N$ : 0.28/0.14 A\*  
 Rated speed  $n_N$ : 900/ 700 min<sup>-1</sup>\*  
 Starting current  $I_a$ : 0.66 A / 0.22 A  
 Current increase  $\Delta I$ : 0 %  
 Thermal class: THCL155\*  
 Min. permitted conveyor temperature  $t_{R(min)}$ : -40 °C  
 Max. permitted conveyor temperature  $t_{R(max)}$ : 70 °C  
 Electrical connection: Terminal box  
 Number of blades: 4  
 Protection class: IP54  
 Motor protection: Thermal contact  
 Blades: Aluminium, uncoated  
 Rotor: Aluminium, uncoated  
 Conformity: CE  
**ErP Data**  
 Is not subject to the ErP Guidelines ( $P_1 < 125$  W)  
 \* Rated data

Characteristic curve



I) Measured in full bell mouth without guard grille in installation type A according to ISO 5801.  
 II-x) Measured in short-bell mouth with compressed side contact protection.

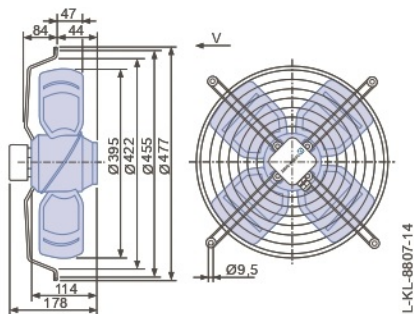
➤ Connection diagram 1360-108XA Page 608

➤ System components Page 524

### Dimensions [mm]



Design K - axial bolted, mounted for short bell mouth E



Performance data


Type	Connection	Characteristic curve	Voltage	Operating point	Current	Motor input power	Speed	Suction side sound power level
			U [V]		I [A]	P <sub>1</sub> [W]	n [min <sup>-1</sup> ]	L <sub>WA5</sub> [dB]
FB040-SD_2C.V4S	Δ	I	400*	②	0.28*	120*	900*	
			400	③	0.26	100	920	65
		II	400	⑤	0.27	100	920	64
	Y	II	400	⑥	0.26	95	930	63
			400	⑧	0.12	64	730	58
		III	400	⑨	0.12	62	750	58

\*rated data

Fan ordering information




← Airflow direction V

Design K



**Type** FB040-SDK.2C.V4S  
**Article no.** 124161  
**Weight [kg]** 5.50

Control technology

<p>Frequency inverter Fcontrol 3~</p>  <p>Page 558</p>	<p>Motor protection units 3~</p>  <p>Page 596</p>	<p>Transformer-based controllers 3~</p>  <p>Page 591</p>	<p>Electronic voltage controllers 3~</p>  <p>Page 578</p>
--	---	--	---



# FB

for single phase alternating current, 4 pole

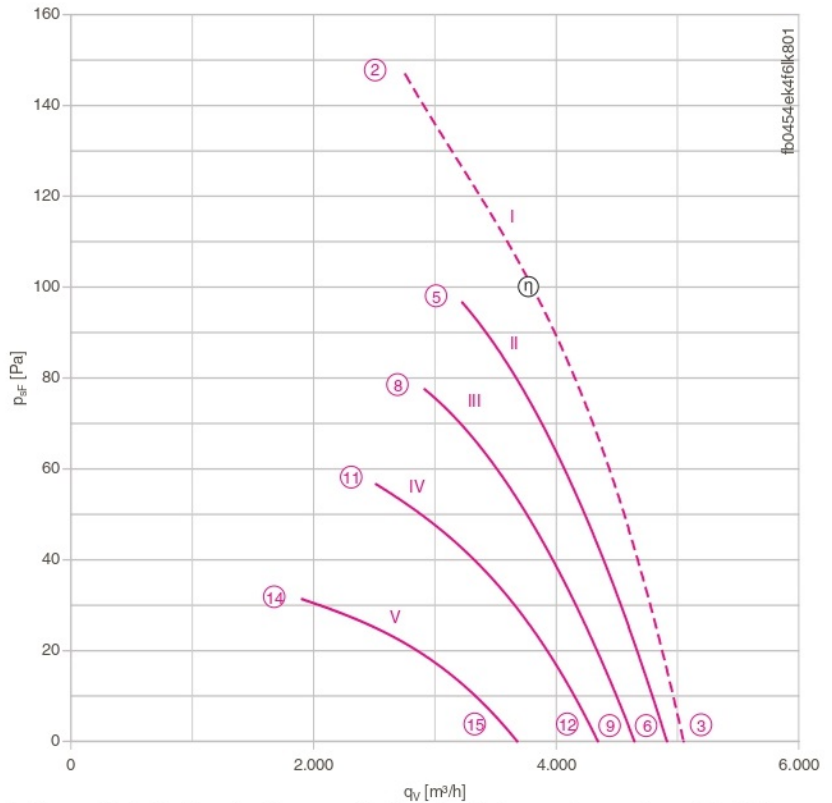
FBO45-4E



### Description

Motor technology: AC  
 Rated voltage  $U_N$ : 1 ~ 230 V ± 10 %\*  
 Rated frequency  $f_N$ : 50 Hz\* (60Hz data available)  
 Motor input power  $P_1$ : 0.41 kW\*  
 Rated current  $I_N$ : 1.90 A\*  
 Rated speed  $n_N$ : 1320 min<sup>-1</sup>\*  
 Starting current  $I_s$ : 4.40 A  
 Current increase  $\Delta I$ : 0 %  
 Service capacitor  $C_{400V}$ : 8.0 μF  
 Thermal class: THCL155\*  
 Min. permitted conveyor temperature  $t_{R(min)}$ : -25 °C  
 Max. permitted conveyor temperature  $t_{R(max)}$ : 70 °C  
 Electrical connection: Terminal box  
 Number of blades: 4  
 Protection class: IP54  
 Motor protection: Thermal contact  
 Blades: Aluminium, uncoated  
 Rotor: Aluminium, uncoated  
 Conformity: ErP 2015, CE  
**ErP Data**  
 Efficiency  $\eta_{statA}$ : 32.3 %  
 Efficiency:  $N_{actual} = 41.7 / N_{target} = 40$ \*\*  
 \* Rated data  
 \*\*ErP 2015

### Characteristic curve

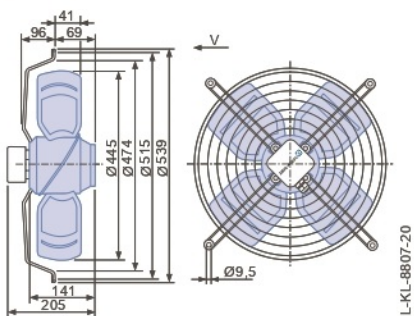


I) Measured in full bell mouth without guard grille in installation type A according to ISO 5801.  
 II-x) Measured in short-bell mouth with compressed side contact protection.

- Connection diagram 1360-104XA Page 608
- System components Page 524

### Dimensions [mm]

← Airflow direction V  
 Design K - axial bolted, mounted for short bell mouth E



### Performance data


Type	Characteristic curve	Voltage	Operating point	Current	Motor input power	Speed	Suction side sound power level $L_{WAS}$ [dB]
		U [V]		I [A]	$P_1$ [W]	n [min <sup>-1</sup> ]	
FB045-4E_4F.V4L	I	230*	②	1.90*	410*	1320*	
		230	③	1.45	300	1400	74
	II	230	⑤	1.55	330	1380	72
		230	⑥	1.30	260	1410	72
	III	160	⑧	1.70	260	1240	69
		160	⑨	1.25	190	1340	71
	IV	130	⑪	1.80	220	1080	66
		130	⑫	1.35	170	1250	69
	V	105	⑭	1.80	175	810	58
		105	⑮	1.45	145	1060	66

\*rated data

### Fan ordering information

**Airflow direction V**

Design K



Type **FB045-4EK.4F.V4L**  
Article no. **124180**

Weight [kg] 9.20

### Control technology

<p>Frequency inverter Fcontrol 1~</p>  <p>➤ Page 552</p>	<p>Motor protection units 1~</p>  <p>➤ Page 596</p>	<p>Transformer-based controllers 1~</p>  <p>➤ Page 587</p>	<p>Electronic voltage controllers 1~</p>  <p>➤ Page 562</p>
---	--	---	--

# FB

for single phase alternating current, 4 pole

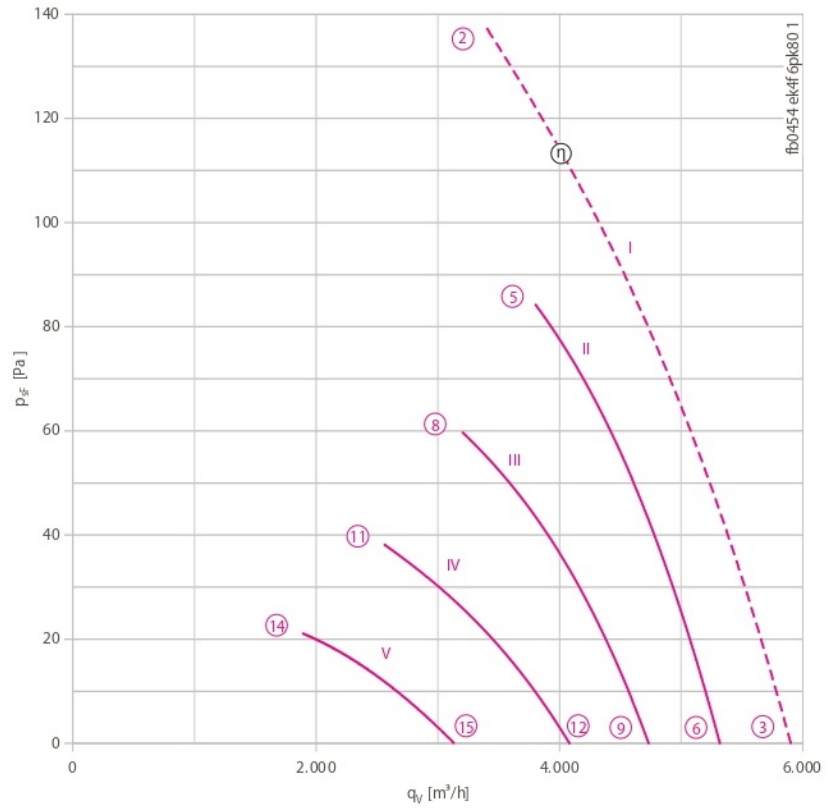
FBO45-4E



### Description

Motor technology: AC  
 Rated voltage  $U_N$ : 1 ~ 230 V ± 10 %\*  
 Rated frequency  $f_N$ : 50 Hz\* (60Hz data available)  
 Motor input power  $P_1$ : 0.39 kW\*  
 Rated current  $I_N$ : 1.80 A\*  
 Rated speed  $n_N$ : 1320 min<sup>-1</sup>\*  
 Starting current  $I_s$ : 4.40 A  
 Current increase  $\Delta I$ : 10 %  
 Service capacitor  $C_{400V}$ : 8.0 μF  
 Thermal class: THCL155\*  
 Min. permitted conveyor temperature  $t_{R(min)}$ : -25 °C  
 Max. permitted conveyor temperature  $t_{R(max)}$ : 70 °C  
 Electrical connection: Terminal box  
 Number of blades: 4  
 Protection class: IP54  
 Motor protection: Thermal contact  
 Blades: Aluminium, uncoated  
 Rotor: Aluminium, uncoated  
 Conformity: ErP 2015, CE  
**ErP Data**  
 Efficiency  $\eta_{statA}$ : 29.5 %  
 Efficiency:  $N_{actual} = 40.0 / N_{target} = 40$ \*\*  
 Frequency inverter required  
 \* Rated data  
 \*\*ErP 2015

### Characteristic curve

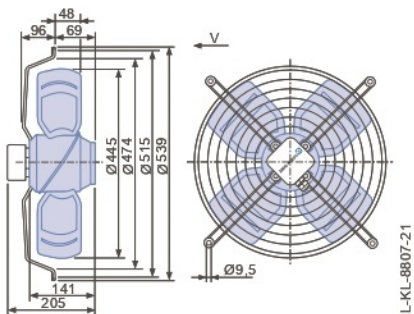


I) Measured in full bell mouth without guard grille in installation type A according to ISO 5801.  
 II-x) Measured in short-bell mouth with compressed side contact protection.

- Connection diagram 1360-104XA Page 608
- System components Page 524

### Dimensions [mm]

← Airflow direction V  
 Design K - axial bolted, mounted for short bell mouth E



### Performance data


Type	Characteristic curve	Voltage	Operating point	Current	Motor input power	Speed	Suction side sound power level $L_{WAS}$ [dB]
		U [V]		I [A]	$P_1$ [W]	n [min <sup>-1</sup> ]	
FB045-4E_4F.V4P	I	230*	②	2.10*	480*	1320*	
		230	③	1.60	340	1390	77
	II	230	⑤	1.80	390	1320	73
		230	⑥	1.50	330	1360	73
	III	160	⑧	1.90	300	1120	70
		160	⑨	1.55	240	1220	70
	IV	130	⑪	1.95	250	850	64
		130	⑫	1.70	210	1050	66
	V	105	⑭	1.75	170	690	57
		105	⑮	1.65	160	810	60

\*rated data

### Fan ordering information

**Airflow direction V**




Design K



Type **FB045-4EK.4F.V4P**  
Article no. **209023**

Weight [kg] 9.20

### Control technology

<p>Frequency inverter Fcontrol 1~</p>  <p>➤ Page 552</p>	<p>Motor protection units 1~</p>  <p>➤ Page 596</p>	<p>Transformer-based controllers 1~</p>  <p>➤ Page 587</p>	<p>Electronic voltage controllers 1~</p>  <p>➤ Page 562</p>
---	--	---	--



# FB

for single phase alternating current, 4 pole

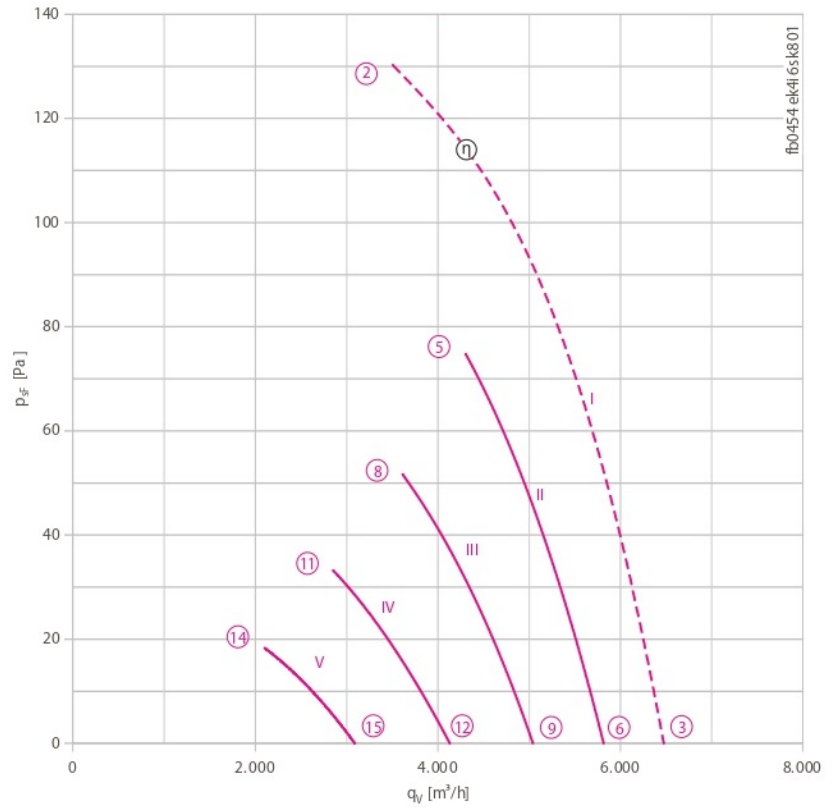
FBO45-4E



## Description

Motor technology: AC  
 Rated voltage  $U_N$ : 1 ~ 230 V ± 10 %\*  
 Rated frequency  $f_N$ : 50 Hz\* (60Hz data available)  
 Motor input power  $P_1$ : 0.58 kW\*  
 Rated current  $I_N$ : 2.50 A\*  
 Rated speed  $n_N$ : 1260 min<sup>-1</sup>\*  
 Starting current  $I_s$ : 5.00 A  
 Current increase  $\Delta I$ : 0 %  
 Service capacitor  $C_{400V}$ : 10.0 μF  
 Thermal class: THCL155\*  
 Min. permitted conveyor temperature  $t_{R(min)}$ : -25 °C  
 Max. permitted conveyor temperature  $t_{R(max)}$ : 70 °C  
 Electrical connection: Terminal box  
 Number of blades: 4  
 Protection class: IP54  
 Motor protection: Thermal contact  
 Blades: Aluminium, uncoated  
 Rotor: Aluminium, uncoated  
 Conformity: ErP 2013, CE  
**ErP Data**  
 Efficiency  $\eta_{statA}$ : 26.1 %  
 Efficiency:  $N_{actual} = 36.0 / N_{target} = 36$ \*\*  
 Frequency inverter required  
 \* Rated data  
 \*\*ErP 2013

## Characteristic curve

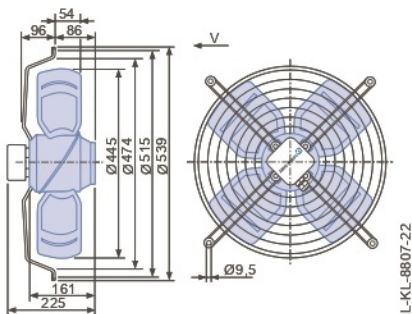


I) Measured in full bell mouth without guard grille in installation type A according to ISO 5801.  
 II-x) Measured in short-bell mouth with compressed side contact protection.

- Connection diagram 1360-104XA Page 608
- System components Page 524

## Dimensions [mm]

← Airflow direction V  
 Design K - axial bolted, mounted for short bell mouth E



### Performance data


Type	Characteristic curve	Voltage	Operating point	Current	Motor input power	Speed	Suction side sound power level $L_{WAS}$ [dB]
		U [V]		I [A]	$P_i$ [W]	n [min <sup>-1</sup> ]	
FB045-4E_4I.V4S	I	<b>230*</b>	②	<b>2.40*</b>	<b>570*</b>	<b>1270*</b>	
		230	③	2.00	440	1350	80
	II	230	⑤	2.10	480	1330	77
		230	⑥	1.95	430	1360	77
	III	160	⑧	2.40	370	1110	75
		160	⑨	2.20	340	1170	73
	IV	130	⑪	2.40	290	880	65
		130	⑫	2.30	280	960	68
	V	105	⑭	2.20	210	660	57
		105	⑮	2.10	200	720	60

\*rated data

### Fan ordering information

**Airflow direction V**


Design K



**Type** FB045-4EK.4I.V4S  
**Article no.** 124181

Weight [kg] 11.00

### Control technology

<p>Frequency inverter Fcontrol 1~</p>  <p>➤ Page 552</p>	<p>Motor protection units 1~</p>  <p>➤ Page 596</p>	<p>Transformer-based controllers 1~</p>  <p>➤ Page 587</p>	<p>Electronic voltage controllers 1~</p>  <p>➤ Page 562</p>
---	--	---	--

# FB

for single phase alternating current, 6 pole

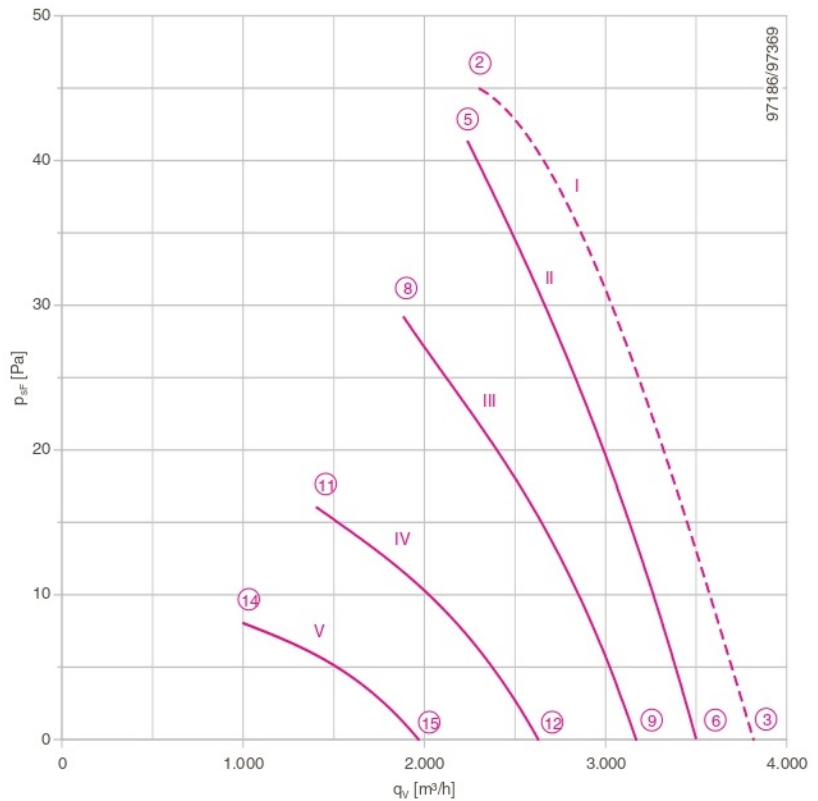
FBO45-6E



### Description

Motor technology: AC  
 Rated voltage  $U_N$ : 1 ~ 230 V  $\pm 10\%$ \*  
 Rated frequency  $f_N$ : 50 Hz\*  
 Motor input power  $P_1$ : 0.13 kW\*  
 Rated current  $I_N$ : 0.58 A\*  
 Rated speed  $n_N$ : 880 min<sup>-1</sup>\*  
 Current increase  $\Delta I$ : 0 %  
 Service capacitor  $C_{400V}$ : 4.0  $\mu F$   
 Thermal class: THCL155\*  
 Min. permitted conveyor temperature  $t_{R(min)}$ : -25 °C  
 Max. permitted conveyor temperature  $t_{R(max)}$ : 70 °C  
 Electrical connection: Terminal box  
 Number of blades: 4  
 Protection class: IP54  
 Motor protection: Thermal contact  
 Blades: Aluminium, 1 coat paint, black  
 Rotor: Aluminium, 1 coat paint, black  
 Conformity: CE  
**ErP Data**  
 Is not subject to the ErP Guidelines ( $P_1 < 125$  W)  
 \* Rated data

Characteristic curve



I) Measured in full bell mouth without guard grille in installation type A according to ISO 5801.  
 II-x) Measured in short-bell mouth with compressed side contact protection.

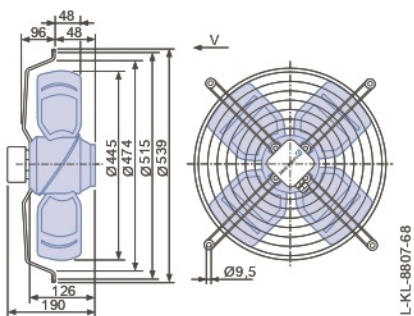
➤ Connection diagram 1360-104XA Page 608

➤ System components Page 524

### Dimensions [mm]



Design K - axial bolted, mounted for short bell mouth E



### Performance data


Type	Characteristic curve	Voltage	Operating point	Current	Motor input power	Speed	Suction side sound power level
		U [V]		I [A]	P <sub>i</sub> [W]	n [min <sup>-1</sup> ]	
FB045-6E_2C_4P	I	230*	②	0.58*	130*	870*	68
		230	③	0.48	110	920	63
	II	230	⑤	0.58	130	870	66
		230	⑥	0.50	110	910	66
	III	170	⑧	0.56	95	730	62
		170	⑨	0.48	80	830	64
	IV	135	⑪	0.52	70	540	54
		135	⑫	0.48	65	680	59
	V	110	⑭	0.46	48	390	46
		110	⑮	0.44	48	510	52

\*rated data

### Fan ordering information

**Airflow direction V**





Design K



Type **FB045-6EK.2C.V4P**  
Article no. **160121**

Weight [kg] 4.00

### Control technology

<p>Frequency inverter Fcontrol 1~</p>  <p>➤ Page 552</p>	<p>Motor protection units 1~</p>  <p>➤ Page 596</p>	<p>Transformer-based controllers 1~</p>  <p>➤ Page 587</p>	<p>Electronic voltage controllers 1~</p>  <p>➤ Page 562</p>
---	--	---	--



# FB

for single phase alternating current, 6 pole

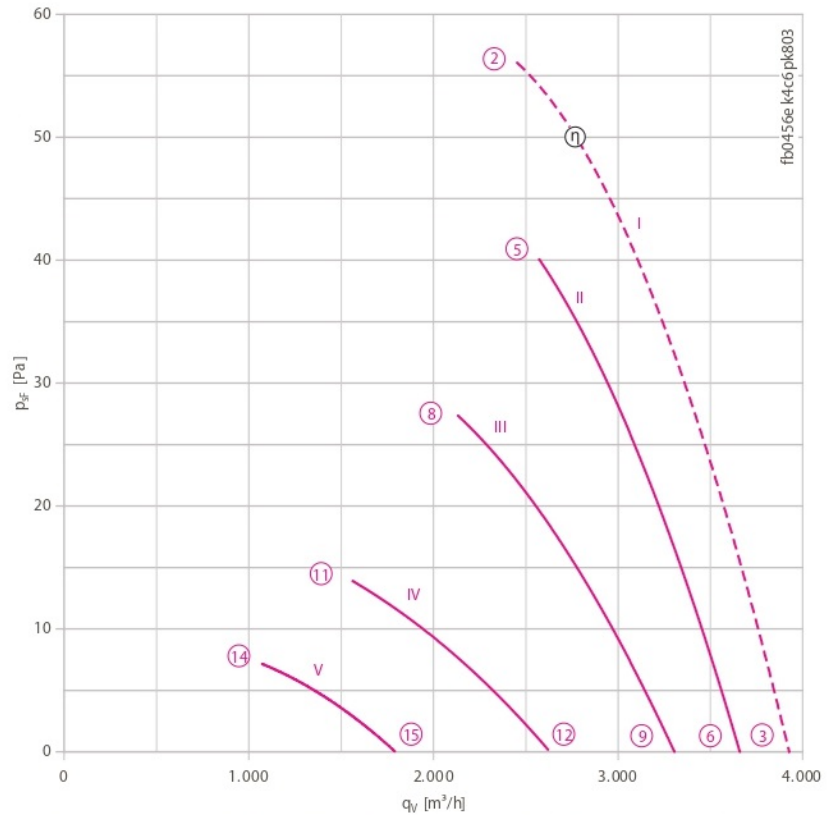
FBO45-6E



### Description

Motor technology: AC  
 Rated voltage  $U_N$ : 1 ~ 230 V $\pm$ 10 %\*  
 Rated frequency  $f_N$ : 50 Hz\*  
 Motor input power  $P_1$ : 0.20 kW\*  
 Rated current  $I_N$ : 0.88 A\*  
 Rated speed  $n_N$ : 910 min<sup>-1</sup>\*  
 Starting current  $I_s$ : 1.70 A  
 Current increase  $\Delta I$ : 0 %  
 Service capacitor  $C_{400V}$ : 5.0  $\mu$ F  
 Thermal class: **THCL155**\*  
 Min. permitted conveyor temperature  $t_{R(min)}$ : -25 °C  
 Max. permitted conveyor temperature  $t_{R(max)}$ : 70 °C  
 Electrical connection: Terminal box  
 Number of blades: 4  
 Protection class: IP54  
 Motor protection: Thermal contact  
 Blades: Aluminium, uncoated  
 Rotor: Aluminium, uncoated  
 \* Rated data

### Characteristic curve

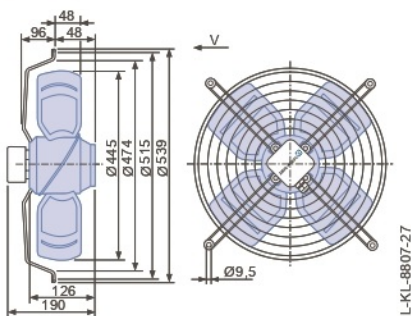


I) Measured in full bell mouth without guard grille in installation type A according to ISO 5801.  
 II-x) Measured in short-bell mouth with compressed side contact protection.

- Connection diagram      1360-104XA      Page 608
- System components                      Page 524

### Dimensions [mm]

← Airflow direction V  
 Design K - axial bolted, mounted for short bell mouth E



### Performance data


Type	Characteristic curve	Voltage	Operating point	Current	Motor input power	Speed	Suction side sound power level $L_{WAS}$ [dB]
		U [V]		I [A]	$P_1$ [W]	n [min <sup>-1</sup> ]	
FB045-6E_4C.V4P	I	<b>230*</b>	②	<b>0.90*</b>	<b>190*</b>	<b>850*</b>	
		230	③	0.73	145	910	67
	II	230	⑤	0.75	155	910	66
		230	⑥	0.69	135	930	65
	III	160	⑧	0.74	110	780	60
		160	⑨	0.64	94	830	62
	IV	130	⑪	0.74	83	540	54
		130	⑫	0.68	80	670	57
	V	105	⑭	0.62	56	380	
		105	⑮	0.61	55	460	

\*rated data

### Fan ordering information

**Airflow direction V**


Design K



Type **FB045-6EK.4C.V4P**  
Article no. **124183**

Weight [kg] 7.70

### Control technology

<p>Frequency inverter Fcontrol 1~</p>  <p>➤ Page 552</p>	<p>Motor protection units 1~</p>  <p>➤ Page 596</p>	<p>Transformer-based controllers 1~</p>  <p>➤ Page 587</p>	<p>Electronic voltage controllers 1~</p>  <p>➤ Page 562</p>
---	--	---	--

# FB

for single phase alternating current, 6 pole

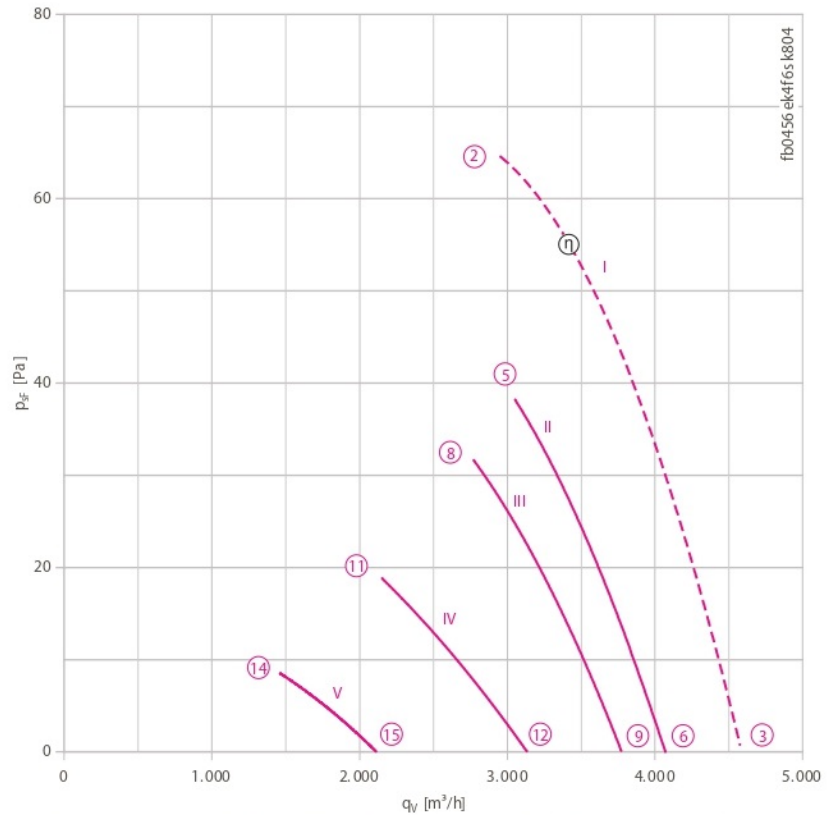
FBO45-6E



### Description

Motor technology: AC  
 Rated voltage  $U_N$ : 1 ~ 230 V  $\pm 10\%$  \*  
 Rated frequency  $f_N$ : 50 Hz \*  
 Motor input power  $P_1$ : 0.26 kW \*  
 Rated current  $I_N$ : 1.20 A \*  
 Rated speed  $n_N$ : 920 min<sup>-1</sup> \*  
 Starting current  $I_s$ : 2.20 A  
 Current increase  $\Delta I$ : 0 %  
 Service capacitor  $C_{400V}$ : 8.0  $\mu F$   
 Thermal class: **THCL155** \*  
 Min. permitted conveyor temperature  $t_{R(min)}$ : -25 °C  
 Max. permitted conveyor temperature  $t_{R(max)}$ : 70 °C  
 Electrical connection: Terminal box  
 Number of blades: 4  
 Protection class: IP54  
 Motor protection: Thermal contact  
 Blades: Aluminium, uncoated  
 Rotor: Aluminium, uncoated  
 \* Rated data

### Characteristic curve



I) Measured in full bell mouth without guard grille in installation type A according to ISO 5801.  
 II-x) Measured in short-bell mouth with compressed side contact protection.

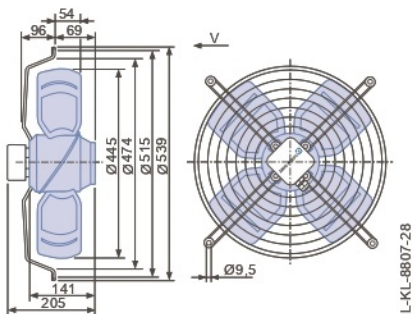
➤ Connection diagram 1360-104XA Page 608

➤ System components Page 524

### Dimensions [mm]



Design K - axial bolted, mounted for short bell mouth E



### Performance data


Type	Characteristic curve	Voltage	Operating point	Current	Motor input power	Speed	Suction side sound power level $L_{WAS}$ [dB]
		U [V]		I [A]	$P_i$ [W]	n [min <sup>-1</sup> ]	
FB045-6E_4F.V4S	I	230*	②	1.25*	280*	870*	
		230	③	0.96	210	930	71
	II	230	⑤	0.92	200	940	69
		230	⑥	0.87	190	950	67
	III	160	⑧	0.94	145	850	66
		160	⑨	0.85	130	880	64
	IV	130	⑪	1.00	120	660	59
		130	⑫	0.93	115	740	59
	V	105	⑭	0.90	83	450	
		105	⑮	0.89	82	490	

\*rated data

### Fan ordering information

**Airflow direction V**

Design K



Type **FB045-6EK.4F.V4S**

Article no. **124184**

Weight [kg] 9.20

### Control technology

<p>Frequency inverter Fcontrol 1~</p>  <p>➤ Page 552</p>	<p>Motor protection units 1~</p>  <p>➤ Page 596</p>	<p>Transformer-based controllers 1~</p>  <p>➤ Page 587</p>	<p>Electronic voltage controllers 1~</p>  <p>➤ Page 562</p>
---	--	---	--



# FB

for three phase alternating current, 4-4 pole

FBO45-VD

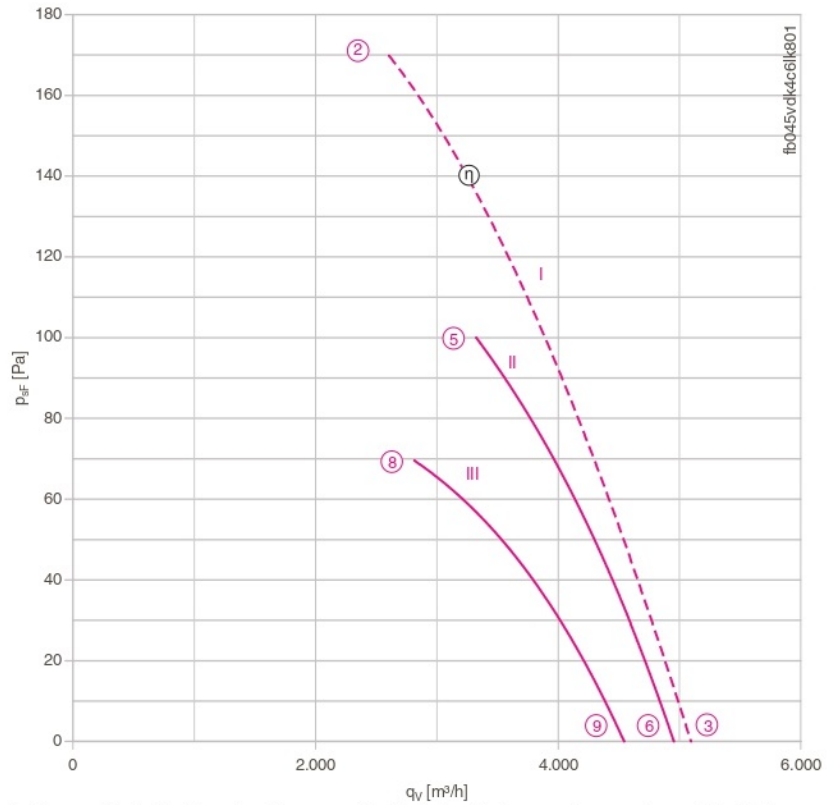


### Description

Motor technology: AC  
 Rated voltage  $U_N$ : 3~ 400 V ( $\Delta/Y$ )  $\pm 10\%$ \*  
 Rated frequency  $f_N$ : 50 Hz\*  
 Motor input power  $P_1$ : 0.43/0.33 kW\*  
 Rated current  $I_N$ : 0.79/0.53 A\*  
 Rated speed  $n_N$ : 1370/1030 min<sup>-1</sup>\*  
 Starting current  $I_s$ : 3.10 A / 1.80 A  
 Current increase  $\Delta I$ : 20 %  
 Thermal class: THCL155\*  
 Min. permitted conveyor temperature  $t_{R(min)}$ : -40 °C  
 Max. permitted conveyor temperature  $t_{R(max)}$ : 55 °C  
 Electrical connection: Terminal box  
 Number of blades: 4  
 Protection class: IP54  
 Motor protection: Thermal contact  
 Blades: Aluminium, uncoated  
 Rotor: Aluminium, uncoated  
 Conformity: ErP 2015, CE

**ErP Data**  
 Efficiency  $\eta_{statA}$ : 36.6 %  
 Efficiency:  $N_{actual} = 45.6 / N_{target} = 40$ \*\*  
 \* Rated data  
 \*\*ErP 2015

### Characteristic curve



I) Measured in full bell mouth without guard grille in installation type A according to ISO 5801.  
 II-x) Measured in short-bell mouth with compressed side contact protection.

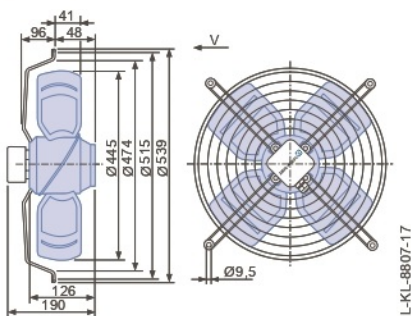
➤ Connection diagram 1360-108XA Page 608

➤ System components Page 524

### Dimensions [mm]



Design K - axial bolted, mounted for short bell mouth E



### Performance data

Type	Connection	Characteristic curve	Voltage	Operating point	Current	Motor input power	Speed	Suction side sound power level	Max. permitted media temperature
			U [V]						
FB045-VD_.4C.V4L	Δ	I	400*	②	0.79*	430*	1370*		55
			400	③	0.60	240	1435	75	
		II	400	⑤	0.61	300	1400	72	70
	400		⑥	0.52	210	1440	72		
	Y	III	400	⑧	0.39	240	1180	68	
			400	⑨	0.28	165	1310	70	

\*rated data

### Fan ordering information



Design K



Type **FB045-VDK.4C.V4L**

Article no. **124166**

Weight [kg] 7.70

### Control technology

Frequency inverter  
Fcontrol 3~



➤ Page 558

Motor protection units  
3~



➤ Page 596

Transformer-based  
controllers 3~



➤ Page 591

Electronic voltage  
controllers 3~



➤ Page 578

# FB

for three phase alternating current, 4-4 pole

FBO45-VD

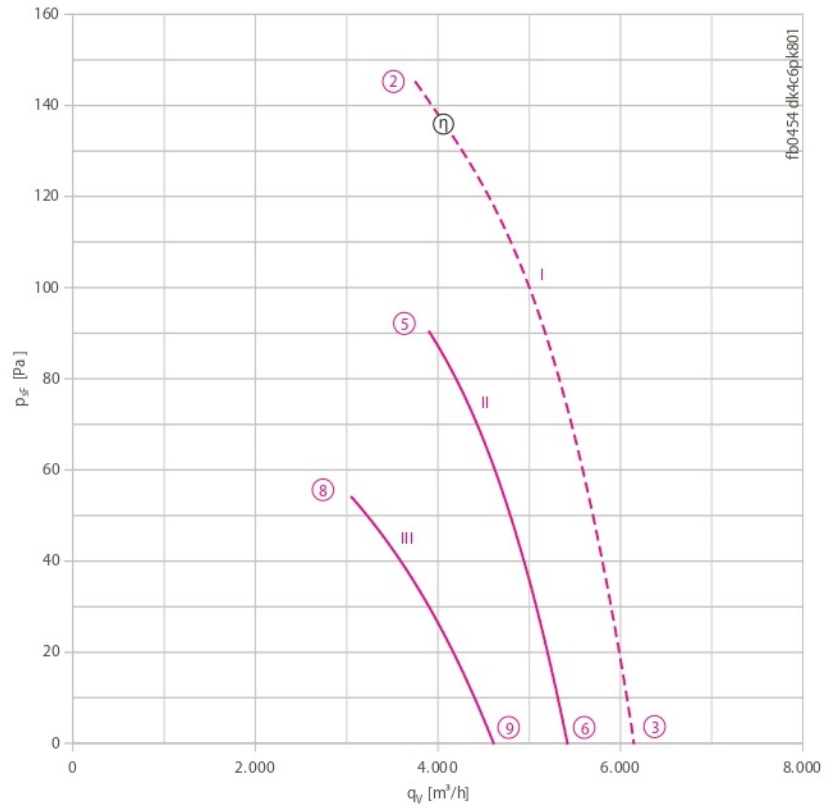


## Description

Motor technology: AC  
 Rated voltage  $U_N$ : 3~ 400 V ( $\Delta/Y$ )  $\pm 10$  %\*  
 Rated frequency  $f_N$ : 50 Hz\*  
 Motor input power  $P_1$ : 0.45/0.34 kW\*  
 Rated current  $I_N$ : 0.81/0.55 A\*  
 Rated speed  $n_N$ : 1360/1040 min<sup>-1</sup>\*  
 Starting current  $I_s$ : 3.00 A / 1.00 A  
 Current increase  $\Delta I$ : 20 %  
 Thermal class: THCL155\*  
 Min. permitted conveyor temperature  $t_{R(min)}$ : -40 °C  
 Max. permitted conveyor temperature  $t_{R(max)}$ : 60 °C  
 Electrical connection: Terminal box  
 Number of blades: 4  
 Protection class: IP54  
 Motor protection: Thermal contact  
 Blades: Aluminium, uncoated  
 Rotor: Aluminium, uncoated  
 Conformity: ErP 2015, CE

**ErP Data**  
 Efficiency  $\eta_{statA}$ : 31.4 %  
 Efficiency:  $N_{actual} = 40.1 / N_{target} = 40$ \*\*  
 \* Rated data  
 \*\*ErP 2015

## Characteristic curve



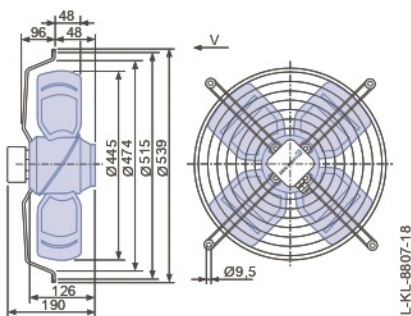
I) Measured in full bell mouth without guard grille in installation type A according to ISO 5801.  
 II-x) Measured in short-bell mouth with compressed side contact protection.

- Connection diagram 1360-108XA Page 608
- System components Page 524

## Dimensions [mm]

← Airflow direction V

Design K - axial bolted, mounted for short bell mouth E



### Performance data

Type	Connection	Characteristic curve	Voltage	Operating point	Current	Motor input power	Speed	Suction side sound power level	Max. permitted media temperature
			U [V]						
FB045-VD_.4C.V4P	Δ	I	400*	②	0.81*	450*	1360*		60
			400	③	0.60	300	1400	79	70
			400	⑤	0.69	380	1370	75	
	Y	III	400	⑥	0.60	300	1400	74	
			400	⑧	0.48	280	1070	69	
			400	⑨	0.41	250	1180	70	

\*rated data

### Fan ordering information



Design K



Type **FB045-VDK.4C.V4P**

Article no. **210540**

Weight [kg] 7.70

### Control technology

Frequency inverter  
Fcontrol 3~



Page 558

Motor protection units  
3~



Page 596

Transformer-based  
controllers 3~



Page 591

Electronic voltage  
controllers 3~



Page 578



# FB

for three phase alternating current, 4-4 pole

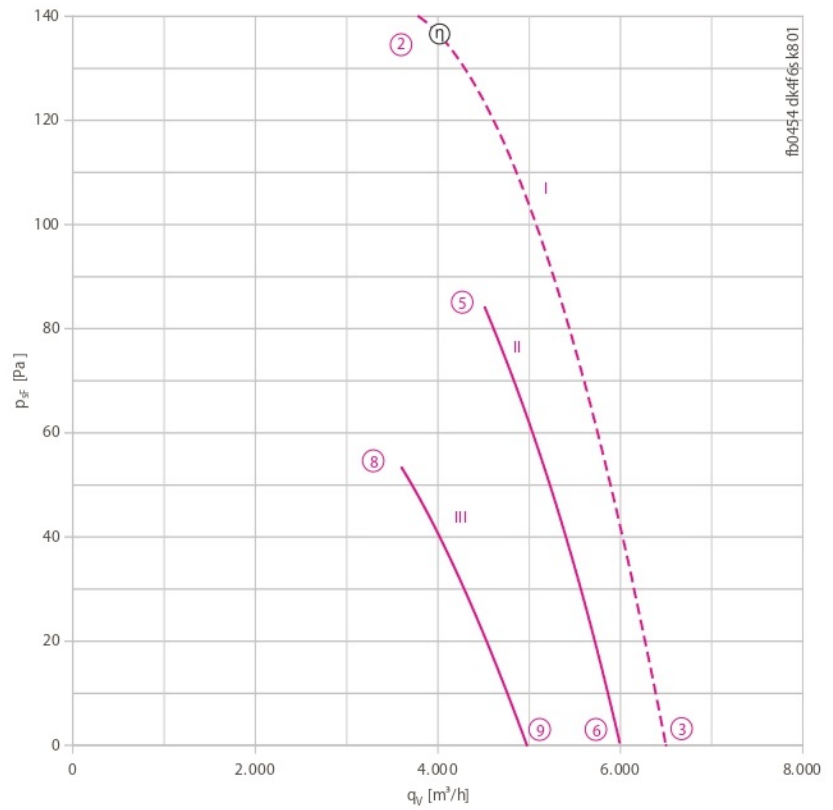
FBO45-VD



### Description

Motor technology: AC  
 Rated voltage  $U_N$ : 3~ 400 V ( $\Delta/Y$ )  $\pm 10$  %\*  
 Rated frequency  $f_N$ : 50 Hz\*  
 Motor input power  $P_1$ : 0.63/0.43 kW\*  
 Rated current  $I_N$ : 1.10/0.70 A\*  
 Rated speed  $n_N$ : 1330/ 970 min<sup>-1</sup>\*  
 Starting current  $I_s$ : 4.00 A / 1.20 A  
 Current increase  $\Delta I$ : 10 %  
 Thermal class: **THCL155**\*  
 Min. permitted conveyor temperature  $t_{R(min)}$ : -40 °C  
 Max. permitted conveyor temperature  $t_{R(max)}$ : 55 °C  
 Electrical connection: Terminal box  
 Number of blades: 4  
 Protection class: IP54  
 Motor protection: Thermal contact  
 Blades: Aluminium, uncoated  
 Rotor: Aluminium, uncoated  
 Conformity: ErP 2015, CE  
**ErP Data**  
 Efficiency  $\eta_{statA}$ : 32.0 %  
 Efficiency:  $N_{actual} = 40.0 / N_{target} = 40$ \*\*  
 \* Rated data  
 \*\*ErP 2015

### Characteristic curve



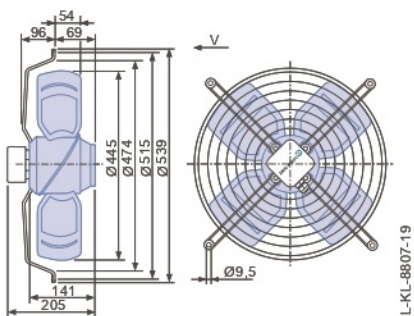
I) Measured in full bell mouth without guard grille in installation type A according to ISO 5801.  
 II-x) Measured in short-bell mouth with compressed side contact protection.

- Connection diagram 1360-108XA Page 608
- System components Page 524

### Dimensions [mm]

**Airflow direction V**

Design K - axial bolted, mounted for short bell mouth E



### Performance data

Type	Connection	Characteristic curve	Voltage	Operating point	Current	Motor input power	Speed	Suction side sound power level	Max. permitted media temperature
			U [V]						
FB045-VD_.4F.V4S	Δ	I	400*	②	1.10*	630*	1330*		55
			400	③	0.90	430	1380	81	70
			400	⑤	0.92	460	1370	80	
	Y	III	400	⑥	0.86	410	1390	77	
			400	⑧	0.59	340	1100	75	
			400	⑨	0.54	310	1160	72	

\*rated data

### Fan ordering information



Design K



Type **FB045-VDK.4F.V4S**

Article no. **124167**

Weight [kg] 9.20

### Control technology

Frequency inverter  
Fcontrol 3~



➤ Page 558

Motor protection units  
3~



➤ Page 596

Transformer-based  
controllers 3~



➤ Page 591

Electronic voltage  
controllers 3~



➤ Page 578

# FB

for three phase alternating current, 6-6 pole

FBO45-SD

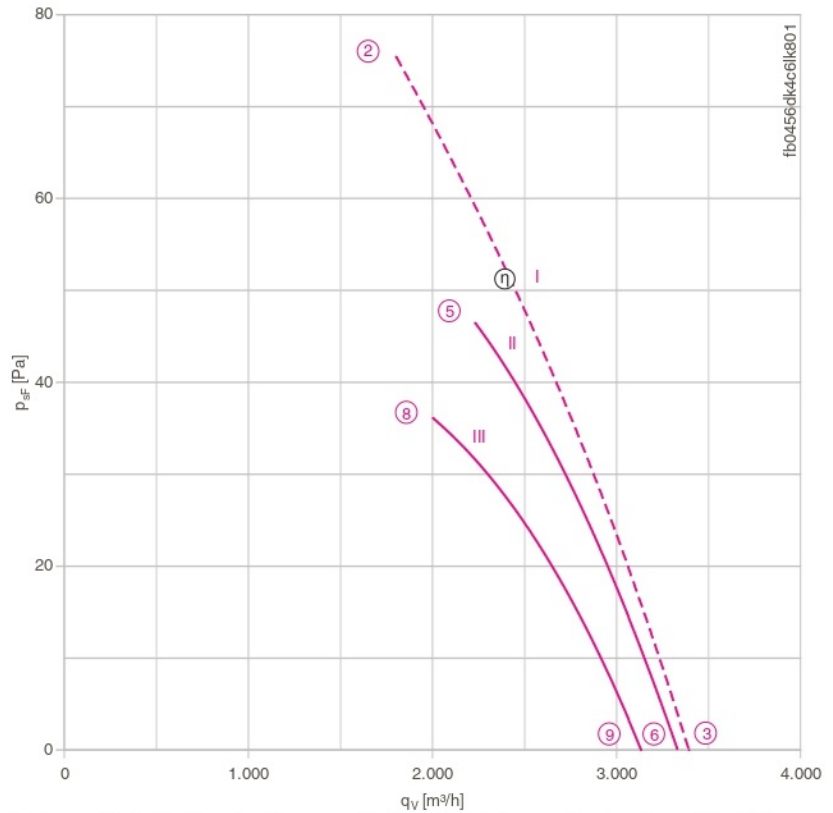


### Description

Motor technology: AC  
 Rated voltage  $U_N$ : 3~ 400 V ( $\Delta/Y$ )  $\pm 10$  %\*  
 Rated frequency  $f_N$ : 50 Hz\* (60Hz data available)  
 Motor input power  $P_1$ : 0.15/0.10 kW\*  
 Rated current  $I_N$ : 0.45/0.23 A\*  
 Rated speed  $n_N$ : 920/ 730 min<sup>-1</sup>\*  
 Starting current  $I_s$ : 1.20 A / 0.36 A  
 Current increase  $\Delta I$ : 0 %  
 Thermal class: THCL155\*  
 Min. permitted conveyor temperature  $t_{R(min)}$ : -40 °C  
 Max. permitted conveyor temperature  $t_{R(max)}$ : 70 °C  
 Electrical connection: Terminal box  
 Number of blades: 4  
 Protection class: IP54  
 Motor protection: Thermal contact  
 Blades: Aluminium, uncoated  
 Rotor: Aluminium, uncoated  
 Conformity: ErP 2015, CE

**ErP Data**  
 Efficiency  $\eta_{statA}$ : 28.1 %  
 Efficiency:  $N_{actual} = 40.0 / N_{target} = 40$ \*\*  
 \* Rated data  
 \*\*ErP 2015

### Characteristic curve



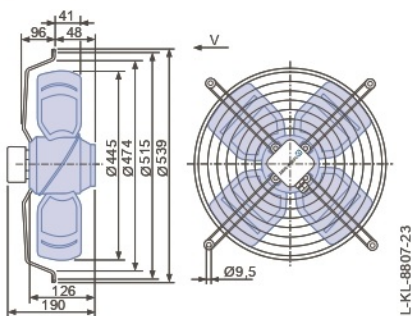
I) Measured in full bell mouth without guard grille in installation type A according to ISO 5801.  
 II-x) Measured in short-bell mouth with compressed side contact protection.

- Connection diagram 1360-108XA Page 608
- System components Page 524

### Dimensions [mm]

← Airflow direction V

Design K - axial bolted, mounted for short bell mouth E



Performance data


Type	Connection	Characteristic curve	Voltage	Operating point	Current	Motor input power	Speed	Suction side sound power level
			U [V]		I [A]	P <sub>1</sub> [W]	n [min <sup>-1</sup> ]	L <sub>WA5</sub> [dB]
FB045-SD_4C.V4L	Δ	I	400*	②	0.45*	150*	920*	
			400	③	0.45	115	960	69
			400	⑤	0.45	130	650	63
	Y	III	400	⑥	0.44	105	970	62
			400	⑧	0.19	86	850	60
			400	⑨	0.17	65	910	61

\*rated data

Fan ordering information





← Airflow direction V

Design K



Type **FB045-SDK.4C.V4L**  
 Article no. **124177**  
 Weight [kg] 7.70

Control technology

<p>Frequency inverter Fcontrol 3~</p>  <p>➤ Page 558</p>	<p>Motor protection units 3~</p>  <p>➤ Page 596</p>	<p>Transformer-based controllers 3~</p>  <p>➤ Page 591</p>	<p>Electronic voltage controllers 3~</p>  <p>➤ Page 578</p>
--	---	--	---



# FB

for three phase alternating current, 6-6 pole

FBO45-SD

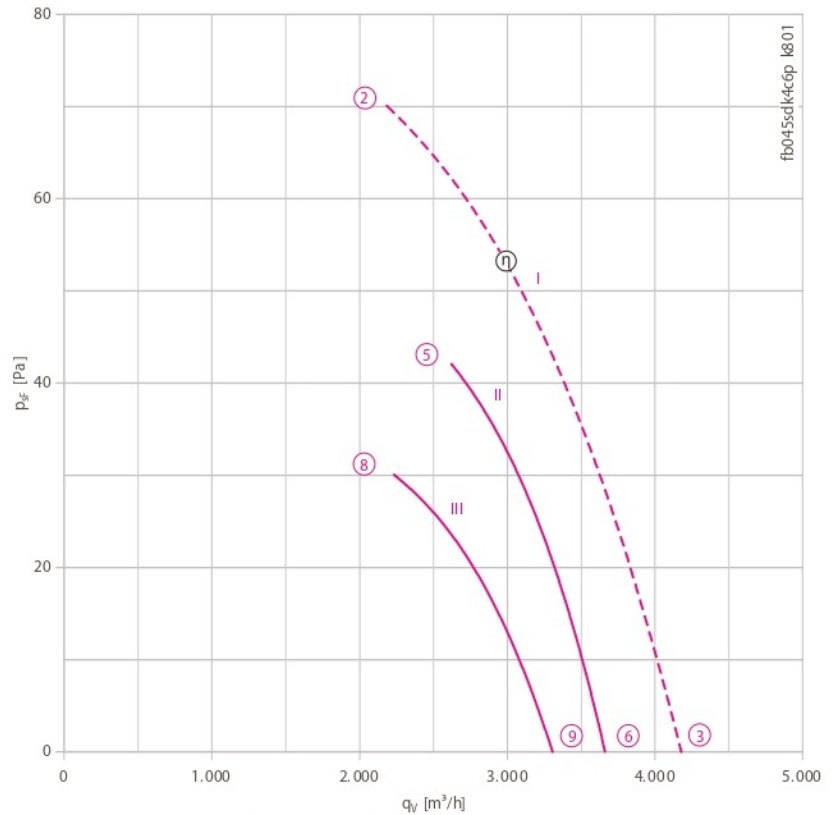


## Description

Motor technology: AC  
 Rated voltage  $U_N$ : 3~ 400 V ( $\Delta/Y$ )  $\pm 10\%$ \*  
 Rated frequency  $f_N$ : 50 Hz\* (60Hz data available)  
 Motor input power  $P_1$ : 0.19/0.13 kW\*  
 Rated current  $I_N$ : 0.53/0.28 A\*  
 Rated speed  $n_N$ : 920/ 750 min<sup>-1</sup>\*  
 Starting current  $I_A$ : 1.50 A / 0.46 A  
 Current increase  $\Delta I$ : 0 %  
 Thermal class: THCL155\*  
 Min. permitted conveyor temperature  $t_{R(min)}$ : -40 °C  
 Max. permitted conveyor temperature  $t_{R(max)}$ : 70 °C  
 Electrical connection: Terminal box  
 Number of blades: 4  
 Protection class: IP54  
 Motor protection: Thermal contact  
 Blades: Aluminium, uncoated  
 Rotor: Aluminium, uncoated  
 Conformity: ErP 2013, CE

**ErP Data**  
 Efficiency  $\eta_{statA}$ : 24.7 %  
 Efficiency:  $N_{actual} = 36.1 / N_{target} = 36$ \*\*  
 \* Rated data  
 \*\*ErP 2013

## Characteristic curve



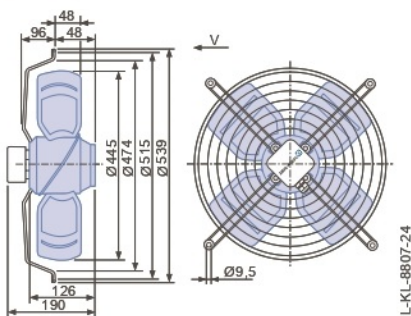
I) Measured in full bell mouth without guard grille in installation type A according to ISO 5801.  
 II-x) Measured in short-bell mouth with compressed side contact protection.

- Connection diagram 1360-108XA Page 608
- System components Page 524

## Dimensions [mm]

← Airflow direction V

Design K - axial bolted, mounted for short bell mouth E



### Performance data

Type	Connection	Characteristic curve	Voltage	Operating point	Current	Motor input power	Speed	Suction side sound power level
			U [V]		I [A]	P <sub>1</sub> [W]	n [min <sup>-1</sup> ]	L <sub>WA5</sub> [dB]
FB045-SD_4C.V4P	Δ	I	400*	②	0.53*	190*	920*	
			400	③	0.46	130	950	69
		II	400	⑤	0.49	150	940	65
	Y	III	400	⑥	0.48	130	950	64
			400	⑧	0.22	100	820	62
		400	⑨	0.20	85	860	62	

\*rated data

### Fan ordering information



Design K



Type **FB045-SDK.4C.V4P**

Article no. **209092**

Weight [kg] 7.70

### Control technology

Frequency inverter  
Fcontrol 3~



Page 558

Motor protection units  
3~



Page 596

Transformer-based  
controllers 3~



Page 591

Electronic voltage  
controllers 3~



Page 578

# FB

for three phase alternating current, 6-6 pole

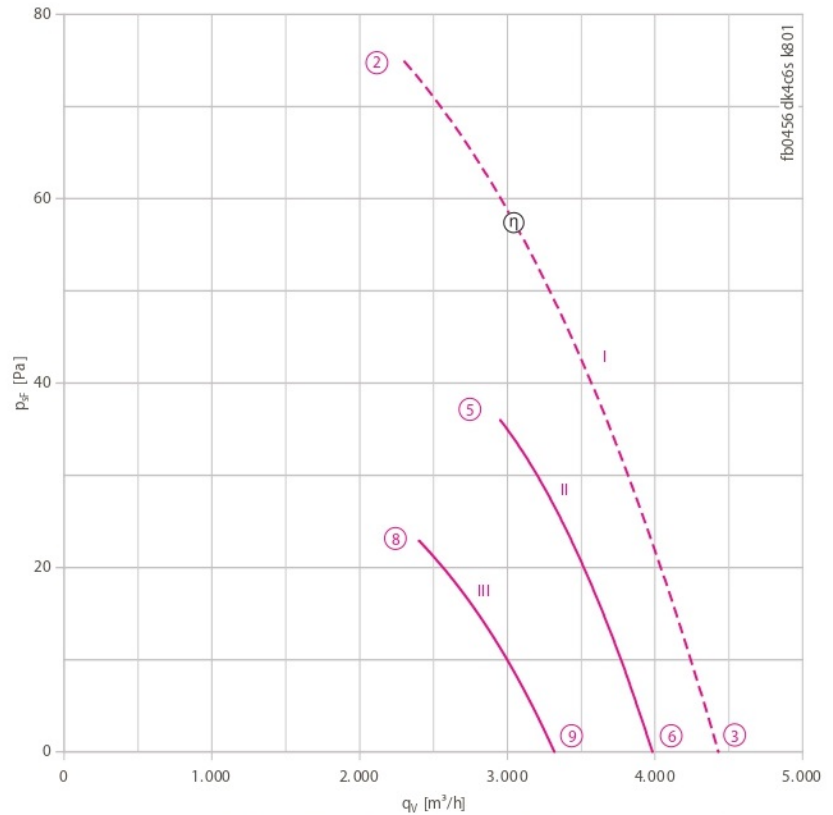
FBO45-SD



### Description

Motor technology: AC  
 Rated voltage  $U_N$ : 3~ 400 V ( $\Delta/Y$ )  $\pm 10$  %\*  
 Rated frequency  $f_N$ : 50 Hz\* (60Hz data available)  
 Motor input power  $P_1$ : 0.23/0.14 kW\*  
 Rated current  $I_N$ : 0.56/0.30 A\*  
 Rated speed  $n_N$ : 885/ 600 min<sup>-1</sup>\*  
 Starting current  $I_A$ : 1.50 A / 0.46 A  
 Current increase  $\Delta I$ : 0 %  
 Thermal class: THCL155\*  
 Min. permitted conveyor temperature  $t_{R(min)}$ : -40 °C  
 Max. permitted conveyor temperature  $t_{R(max)}$ : 70 °C  
 Electrical connection: Terminal box  
 Number of blades: 4  
 Protection class: IP54  
 Motor protection: Thermal contact  
 Blades: Aluminium, uncoated  
 Rotor: Aluminium, uncoated  
 \* Rated data

### Characteristic curve



I) Measured in full bell mouth without guard grille in installation type A according to ISO 5801.  
 II-x) Measured in short-bell mouth with compressed side contact protection.

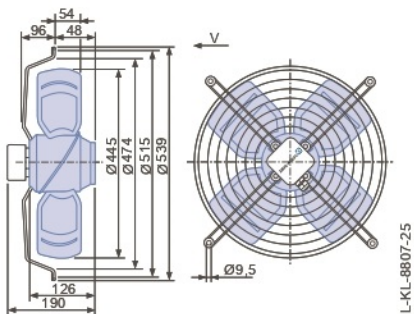
➤ Connection diagram 1360-108XA Page 608

➤ System components Page 524

### Dimensions [mm]



Design K - axial bolted, mounted for short bell mouth E



Performance data

Type	Connection	Characteristic curve	Voltage	Operating point	Current	Motor input power	Speed	Suction side sound power level
			U [V]		I [A]	P <sub>1</sub> [W]	n [min <sup>-1</sup> ]	L <sub>WA5</sub> [dB]
FB045-SD_4C.V4S	Δ	I	400*	②	0.56*	230*	885*	
			400	③	0.50	160	930	71
		II	400	⑤	0.53	180	910	71
	Y	III	400	⑥	0.51	165	930	67
			400	⑧	0.25	115	740	66
		400	⑨	0.23	105	770	63	

\*rated data

Fan ordering information




← Airflow direction V

Design K



**Type** FB045-SDK.4C.V4S  
**Article no.** 121958  
**Weight [kg]** 7.70

Control technology

<p>Frequency inverter Fcontrol 3~</p>  <p>➤ Page 558</p>	<p>Motor protection units 3~</p>  <p>➤ Page 596</p>	<p>Transformer-based controllers 3~</p>  <p>➤ Page 591</p>	<p>Electronic voltage controllers 3~</p>  <p>➤ Page 578</p>
--	---	--	---



# FB

for three phase alternating current, 8-8 pole

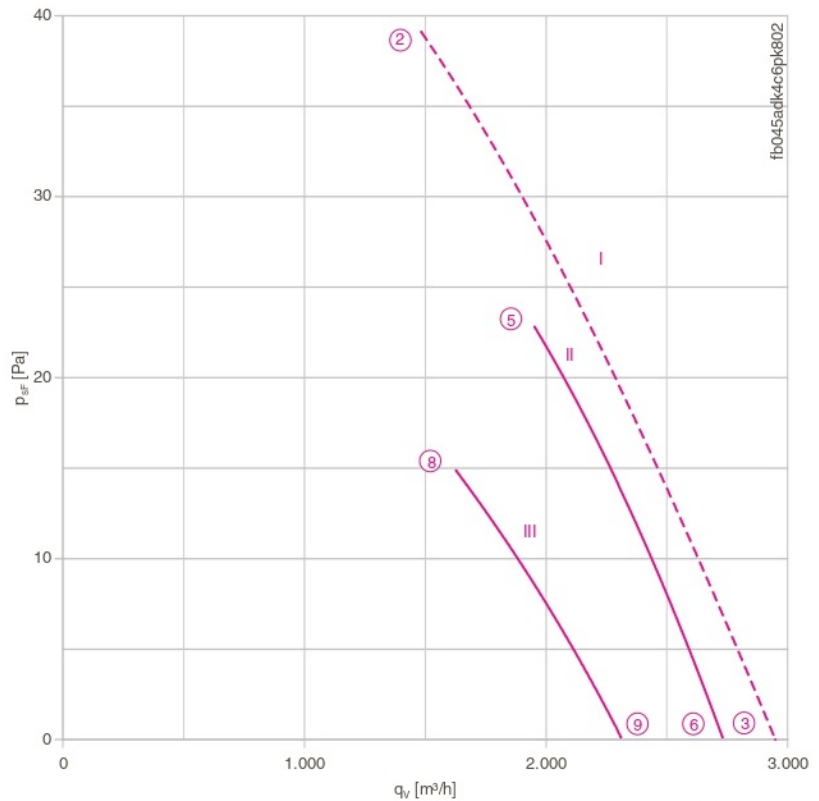
FBO45-AD



### Description

Motor technology: AC  
 Rated voltage  $U_N$ : 3~ 400 V ( $\Delta/Y$ )  $\pm 10$  %\*  
 Rated frequency  $f_N$ : 50 Hz\* (60Hz data available)  
 Motor input power  $P_1$ : 0.07/0.05 kW\*  
 Rated current  $I_N$ : 0.17/0.09 A\*  
 Rated speed  $n_N$ : 660/510 min<sup>-1</sup>\*  
 Starting current  $I_s$ : 0.42 A / 0.13 A  
 Current increase  $\Delta I$ : 0 %  
 Thermal class: THCL155\*  
 Min. permitted conveyor temperature  $t_{R(min)}$ : -40 °C  
 Max. permitted conveyor temperature  $t_{R(max)}$ : 70 °C  
 Electrical connection: Terminal box  
 Number of blades: 4  
 Protection class: IP54  
 Motor protection: Thermal contact  
 Blades: Aluminium, uncoated  
 Rotor: Aluminium, uncoated  
 Conformity: CE  
**ErP Data**  
 Is not subject to the ErP Guidelines ( $P_1 < 125$  W)  
 \* Rated data

Characteristic curve



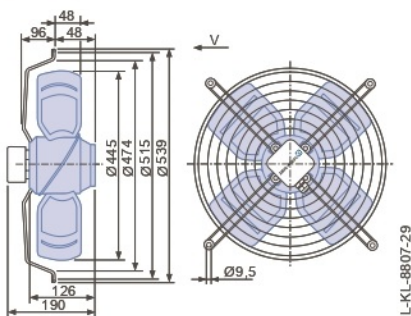
I) Measured in full bell mouth without guard grille in installation type A according to ISO 5801.  
 II-x) Measured in short-bell mouth with compressed side contact protection.

- Connection diagram 1360-108XA Page 608
- System components Page 524

### Dimensions [mm]

**Airflow direction V**

Design K - axial bolted, mounted for short bell mouth E



Performance data

Type	Connection	Characteristic curve	Voltage	Operating point	Current	Motor input power	Speed	Suction side sound power level $L_{WA5}$ [dB]
			U [V]		I [A]	$P_1$ [W]	n [min <sup>-1</sup> ]	
FB045-AD_4C.V4P	Δ	I	400*	②	0.17*	73*	660*	
			400	③	0.14	44	710	61
		II	400	⑤	0.16	63	680	57
	Y	III	400	⑥	0.15	56	690	56
			400	⑧	0.08	45	520	52
		400	⑨	0.07	36	590	53	

\*rated data

Fan ordering information



Design K



Type **FB045-ADK.4C.V4P**

Article no. **124179**

Weight [kg] 7.70

Control technology

Frequency inverter  
Fcontrol 3~



➤ Page 558

Motor protection units  
3~



➤ Page 596

Transformer-based  
controllers 3~



➤ Page 591

Electronic voltage  
controllers 3~



➤ Page 578

# FB

for single phase alternating current, 4 pole

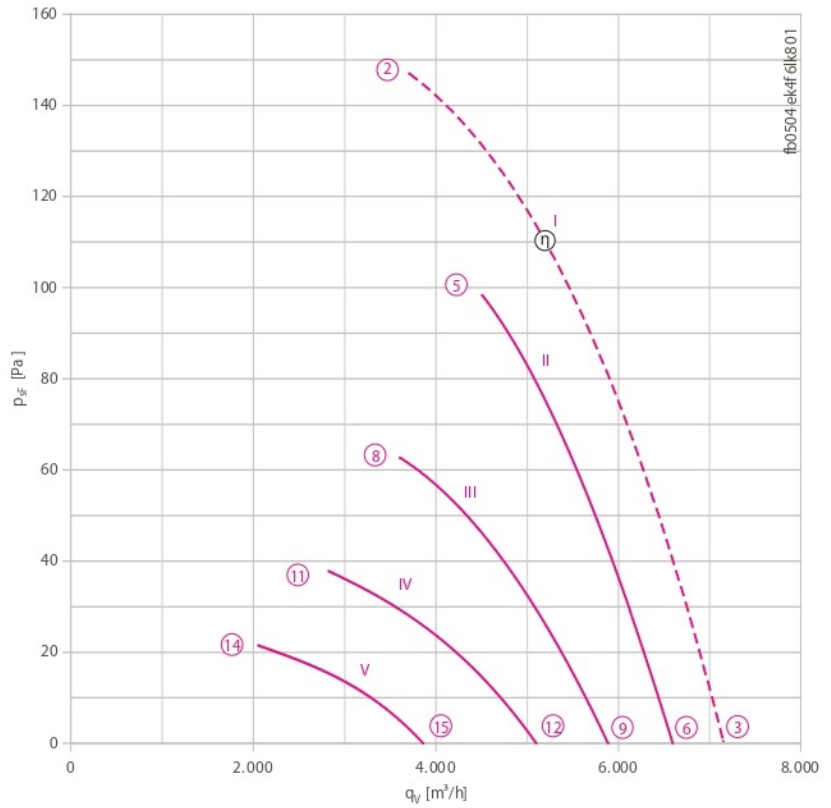
FBO50-4E



### Description

Motor technology: AC  
 Rated voltage  $U_N$ : 1 ~ 230 V ± 10 %\*  
 Rated frequency  $f_N$ : 50 Hz\*  
 Motor input power  $P_1$ : 0.57 kW\*  
 Rated current  $I_N$ : 2.50 A\*  
 Rated speed  $n_N$ : 1240 min<sup>-1</sup>\*  
 Starting current  $I_s$ : 4.60 A  
 Current increase  $\Delta I$ : 0 %  
 Service capacitor  $C_{400V}$ : 10.0  $\mu$ F  
 Thermal class: **THCL155**\*  
 Min. permitted conveyor temperature  $t_{R(min)}$ : -25 °C  
 Max. permitted conveyor temperature  $t_{R(max)}$ : 60 °C  
 Electrical connection: Terminal box  
 Number of blades: 4  
 Protection class: IP54  
 Motor protection: Thermal contact  
 Blades: Aluminium, uncoated  
 Rotor: Aluminium, uncoated  
 Conformity: ErP 2015, CE  
**ErP Data**  
 Efficiency  $\eta_{statA}$ : 31.0 %  
 Efficiency:  $N_{actual} = 41.1 / N_{target} = 40$ \*\*  
 Frequency inverter required  
 \* Rated data  
 \*\*ErP 2015

### Characteristic curve

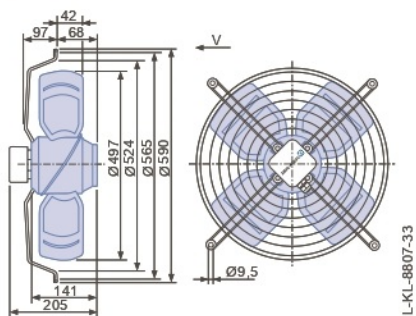


I) Measured in full bell mouth without guard grille in installation type A according to ISO 5801.  
 II-x) Measured in short-bell mouth with compressed side contact protection.

- Connection diagram 1360-104XA Page 608
- System components Page 524

### Dimensions [mm]

← Airflow direction V  
 Design K - axial bolted, mounted for short bell mouth E



Performance data

Type	Characteristic curve	Voltage	Operating point	Current	Motor input power	Speed	Suction side sound power level $L_{WA5}$ [dB]	Max. permitted media temperature $t_{R+}$ [°C]
		U [V]		I [A]	$P_1$ [W]	n [min <sup>-1</sup> ]		
FB050-4E_4F.V4L	I	230*	②	2.50*	570*	1240*		60
		230	③	1.80	380	1360	75	
	II	230	⑤	2.20	490	1300	75	70
		230	⑥	1.75	390	1370	76	
	III	160	⑧	2.30	350	1060	70	
		160	⑨	1.80	290	1220	73	
	IV	130	⑪	2.20	270	810	64	
		130	⑫	1.90	240	1050	69	
	V	105	⑭	1.90	190	610	57	
		105	⑮	1.80	180	790	62	

\*rated data

Fan ordering information

Airflow direction V

Design K



Type **FB050-4EK.4F.V4L**

Article no. **107779**

Weight [kg] 9.50

Control technology

Frequency inverter  
Fcontrol 1~



➤ Page 552

Motor protection units  
1~



➤ Page 596

Transformer-based  
controllers 1~



➤ Page 587

Electronic voltage  
controllers 1~



➤ Page 562

# FB

for single phase alternating current, 4 pole

FBO50-4E

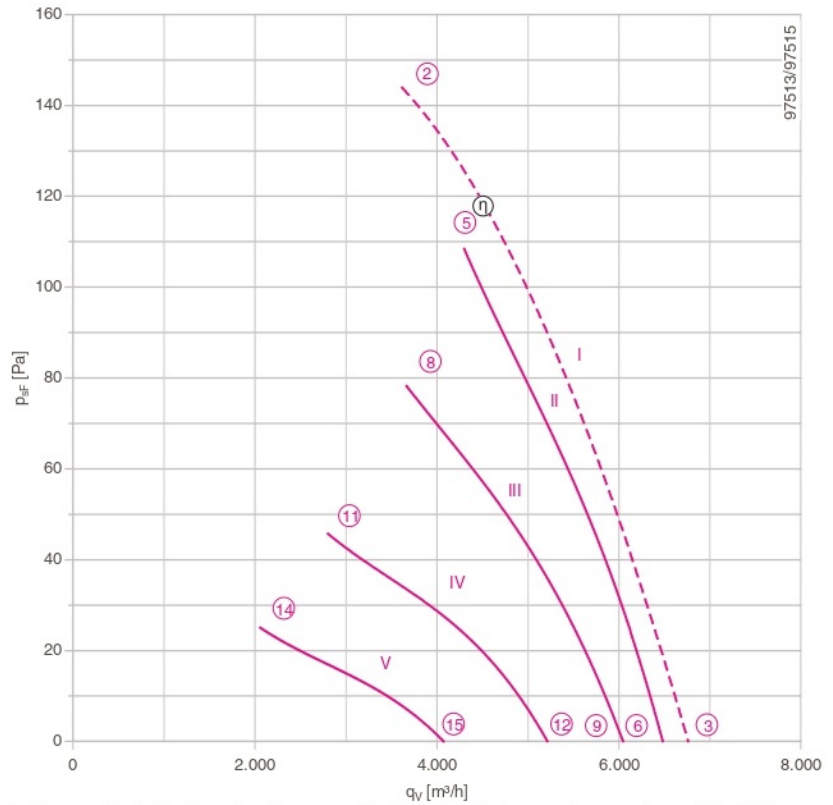


### Description

Motor technology: AC  
 Rated voltage  $U_N$ : 1 ~ 230 V ± 10 %\*  
 Rated frequency  $f_N$ : 50 Hz\* (60Hz data available)  
 Motor input power  $P_1$ : 0.45 kW\*  
 Rated current  $I_N$ : 2.10 A\*  
 Rated speed  $n_N$ : 1300 min<sup>-1</sup>\*  
 Current increase  $\Delta I$ : 10 %  
 Service capacitor  $C_{400V}$ : 8.0 µF  
 Thermal class: THCL155\*  
 Min. permitted conveyor temperature  $t_{R(min)}$ : -25 °C  
 Max. permitted conveyor temperature  $t_{R(max)}$ : 70 °C  
 Electrical connection: Terminal box  
 Number of blades: 4  
 Protection class: IP54  
 Motor protection: Thermal contact  
 Blades: Aluminium, uncoated  
 Rotor: Aluminium, uncoated  
 Conformity: ErP 2015, CE

**ErP Data**  
 Efficiency  $\eta_{statA}$ : 35.5 %  
 Efficiency:  $N_{actual} = 44.2 / N_{target} = 40$ \*\*  
 \* Rated data  
 \*\*ErP 2015

### Characteristic curve



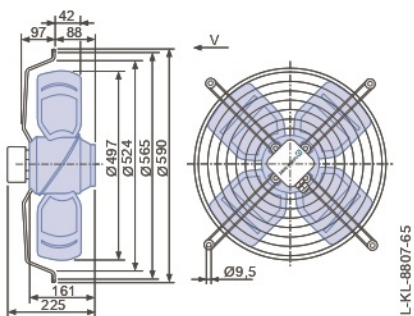
I) Measured in full bell mouth without guard grille in installation type A according to ISO 5801.  
 II-x) Measured in short-bell mouth with compressed side contact protection.

- Connection diagram 1360-104XA Page 608
- System components Page 524

### Dimensions [mm]

← Airflow direction V

Design K - axial bolted, mounted for short bell mouth E





### Performance data


Type	Characteristic curve	Voltage	Operating point	Current	Motor input power	Speed	Suction side sound power level
		U [V]		I [A]	P <sub>i</sub> [W]	n [min <sup>-1</sup> ]	
FB050-4E_4I.V4L	I	230*	②	2.20*	460*	1290*	81
		230	③	1.40	300	1390	79
	II	230	⑤	1.95	420	1320	75
		230	⑥	1.45	310	1380	75
	III	170	⑧	2.20	350	1130	72
		170	⑨	1.60	260	1290	73
	IV	135	⑪	2.20	270	860	65
		135	⑫	1.75	220	1110	69
	V	110	⑭	1.95	190	640	59
		110	⑮	1.80	180	860	63

\*rated data

### Fan ordering information

**Airflow direction V**



Design K



Type **FB050-4EK.4I.V4L**  
Article no. **160135**

Weight [kg] 12.00

### Control technology

<p>Frequency inverter Fcontrol 1~</p>  <p>➤ Page 552</p>	<p>Motor protection units 1~</p>  <p>➤ Page 596</p>	<p>Transformer-based controllers 1~</p>  <p>➤ Page 587</p>	<p>Electronic voltage controllers 1~</p>  <p>➤ Page 562</p>
---	--	---	--

# FB

for single phase alternating current, 6 pole

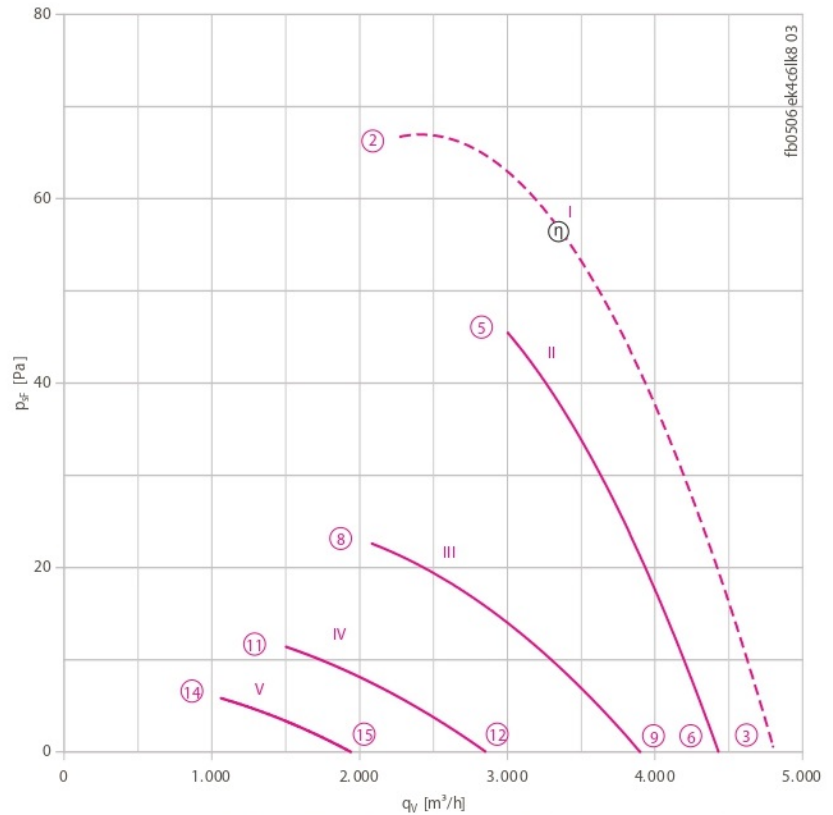
FBO50-6E



## Description

Motor technology: AC  
 Rated voltage  $U_N$ : 1 ~ 230 V  $\pm 10\%$ \*  
 Rated frequency  $f_N$ : 50 Hz\*  
 Motor input power  $P_1$ : 0.21 kW\*  
 Rated current  $I_N$ : 0.95 A\*  
 Rated speed  $n_N$ : 850 min<sup>-1</sup>\*  
 Starting current  $I_s$ : 1.70 A  
 Current increase  $\Delta I$ : 5 %  
 Service capacitor  $C_{400V}$ : 5.0  $\mu F$   
 Thermal class: **THCL155\***  
 Min. permitted conveyor temperature  $t_{R(min)}$ : -25 °C  
 Max. permitted conveyor temperature  $t_{R(max)}$ : 70 °C  
 Electrical connection: Terminal box  
 Number of blades: 4  
 Protection class: IP54  
 Motor protection: Thermal contact  
 Blades: Aluminium, uncoated  
 Rotor: Aluminium, uncoated  
 Conformity: ErP 2013, CE  
**ErP Data**  
 Efficiency  $\eta_{statA}$ : 25.9 %  
 Efficiency:  $N_{actual} = 37.0 / N_{target} = 36$ \*\*  
 \* Rated data  
 \*\*ErP 2013

## Characteristic curve



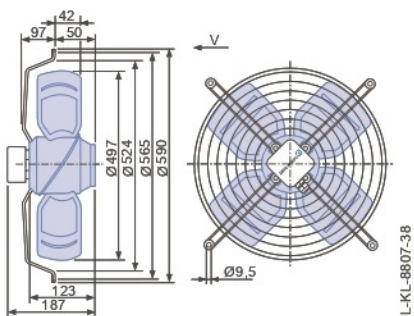
I) Measured in full bell mouth without guard grille in installation type A according to ISO 5801.  
 II-x) Measured in short-bell mouth with compressed side contact protection.

- Connection diagram 1360-104XA Page 608
- System components Page 524

## Dimensions [mm]

**Airflow direction V**

Design K - axial bolted, mounted for short bell mouth E



### Performance data


Type	Characteristic curve	Voltage	Operating point	Current	Motor input power	Speed	Suction side sound power level $L_{WAS}$ [dB]
		U [V]		I [A]	$P_i$ [W]	n [min <sup>-1</sup> ]	
FB050-6E_4C.V4L	I	230*	②	0.96*	200*	820*	
		230	③	0.77	160	900	64
	II	230	⑤	0.83	175	880	66
		230	⑥	0.71	145	920	65
	III	160	⑧	0.85	125	630	56
		160	⑨	0.69	105	800	62
	IV	130	⑪	0.76	85	420	57
		130	⑫	0.71	82	590	56
	V	105	⑭	0.62	56	320	
		105	⑮	0.61	55	410	

\*rated data

### Fan ordering information

**Airflow direction V**





Design K



Type **FB050-6EK.4C.V4L**  
Article no. **124189**

Weight [kg] 8.10

### Control technology

<p>Frequency inverter Fcontrol 1~</p>  <p>➤ Page 552</p>	<p>Motor protection units 1~</p>  <p>➤ Page 596</p>	<p>Transformer-based controllers 1~</p>  <p>➤ Page 587</p>	<p>Electronic voltage controllers 1~</p>  <p>➤ Page 562</p>
---	--	---	--

# FB

for single phase alternating current, 6 pole

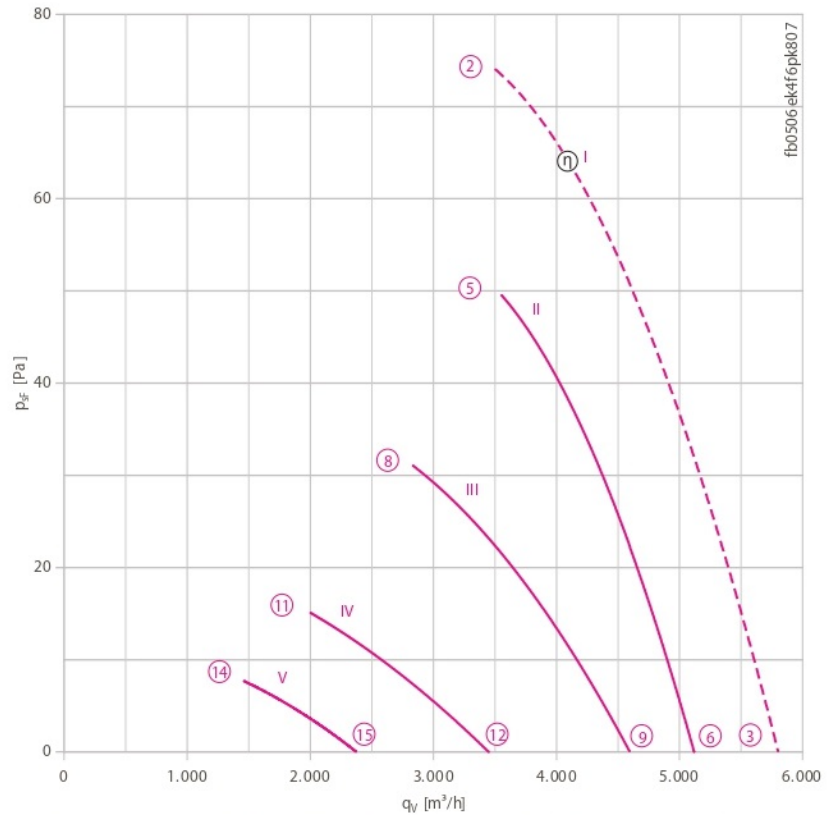
FBO50-6E



## Description

Motor technology: AC  
 Rated voltage  $U_N$ : 1 ~ 230 V  $\pm 10$  %\*  
 Rated frequency  $f_N$ : 50 Hz\*  
 Motor input power  $P_1$ : 0.29 kW\*  
 Rated current  $I_N$ : 1.30 A\*  
 Rated speed  $n_N$ : 920 min<sup>-1</sup>\*  
 Starting current  $I_s$ : 2.20 A  
 Current increase  $\Delta I$ : 0 %  
 Service capacitor  $C_{400V}$ : 8.0  $\mu$ F  
 Thermal class: THCL155\*  
 Min. permitted conveyor temperature  $t_{R(min)}$ : -25 °C  
 Max. permitted conveyor temperature  $t_{R(max)}$ : 70 °C  
 Electrical connection: Terminal box  
 Number of blades: 4  
 Protection class: IP54  
 Motor protection: Thermal contact  
 Blades: Aluminium, uncoated  
 Rotor: Aluminium, uncoated  
 Conformity: ErP 2013, CE  
**ErP Data**  
 Efficiency  $\eta_{statA}$ : 27.1 %  
 Efficiency:  $N_{actual} = 37.4 / N_{target} = 36$ \*\*  
 \* Rated data  
 \*\*ErP 2013

## Characteristic curve

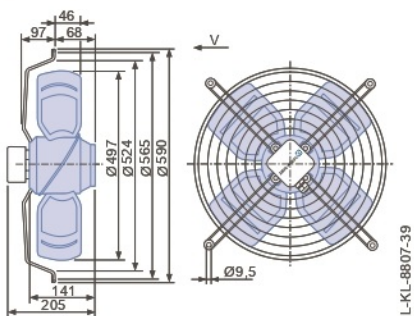


I) Measured in full bell mouth without guard grille in installation type A according to ISO 5801.  
 II-x) Measured in short-bell mouth with compressed side contact protection.

- Connection diagram 1360-104XA Page 608
- System components Page 524

## Dimensions [mm]

← Airflow direction V  
 Design K - axial bolted, mounted for short bell mouth E



### Performance data


Type	Characteristic curve	Voltage	Operating point	Current	Motor input power	Speed	Suction side sound power level $L_{WAS}$ [dB]
		U [V]		I [A]	$P_i$ [W]	n [min <sup>-1</sup> ]	
FB050-6E_4F.V4P	I	230*	②	1.25*	280*	870*	
		230	③	0.96	210	930	69
	II	230	⑤	1.05	230	910	69
		230	⑥	0.92	200	930	68
	III	160	⑧	1.15	170	740	63
		160	⑨	0.96	145	830	65
	IV	130	⑪	1.10	125	490	57
		130	⑫	1.05	120	630	58
	V	105	⑭	0.90	83	370	
		105	⑮	0.89	82	440	

\*rated data

### Fan ordering information

**Airflow direction V**





Design K



Type **FB050-6EK.4F.V4P**  
Article no. **124190**

Weight [kg] 9.50

### Control technology

<p>Frequency inverter Fcontrol 1~</p>  <p>➤ Page 552</p>	<p>Motor protection units 1~</p>  <p>➤ Page 596</p>	<p>Transformer-based controllers 1~</p>  <p>➤ Page 587</p>	<p>Electronic voltage controllers 1~</p>  <p>➤ Page 562</p>
---	--	---	--



# FB

for single phase alternating current, 6 pole

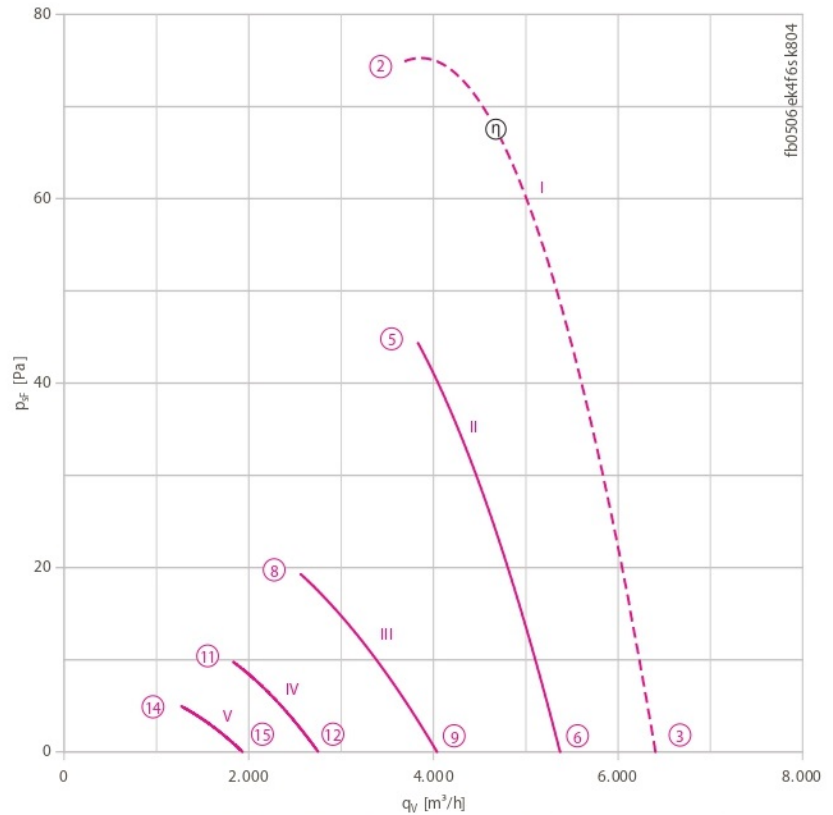
FBO50-6E



### Description

Motor technology: AC  
 Rated voltage  $U_N$ : 1 ~ 230 V  $\pm 10\%$ \*  
 Rated frequency  $f_N$ : 50 Hz\*  
 Motor input power  $P_1$ : 0.29 kW\*  
 Rated current  $I_N$ : 1.35 A\*  
 Rated speed  $n_N$ : 850 min<sup>-1</sup>\*  
 Starting current  $I_s$ : 2.20 A  
 Current increase  $\Delta I$ : 0 %  
 Service capacitor  $C_{400V}$ : 8.0  $\mu F$   
 Thermal class: **THCL155**\*  
 Min. permitted conveyor temperature  $t_{R(min)}$ : -25 °C  
 Max. permitted conveyor temperature  $t_{R(max)}$ : 65 °C  
 Electrical connection: Terminal box  
 Number of blades: 4  
 Protection class: IP54  
 Motor protection: Thermal contact  
 Blades: Aluminium, uncoated  
 Rotor: Aluminium, uncoated  
 \* Rated data

### Characteristic curve



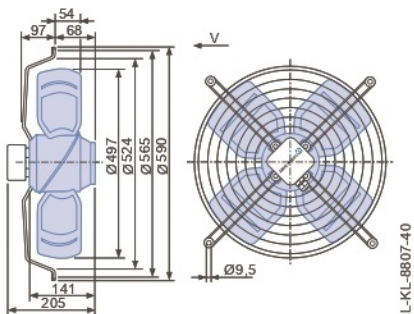
I) Measured in full bell mouth without guard grille in installation type A according to ISO 5801.  
 II-x) Measured in short-bell mouth with compressed side contact protection.

➤ Connection diagram 1360-104XA Page 608

➤ System components Page 524

### Dimensions [mm]

← Airflow direction V  
 Design K - axial bolted, mounted for short bell mouth E



Performance data


Type	Characteristic curve	Voltage	Operating point	Current	Motor input power	Speed	Suction side sound power level $L_{WA5}$ [dB]	Max. permitted media temperature $t_{R+}$ [°C]
		U [V]		I [A]	$P_1$ [W]	n [min <sup>-1</sup> ]		
FB050-6E_4F.V4S	I	230*	②	1.35*	290*	850*		65
		230	③	1.15	250	900	72	
	II	230	⑤	1.20	270	880	70	70
		230	⑥	1.10	240	910	70	
	III	160	⑧	1.30	190	570	59	
		160	⑨	1.25	180	670	62	
	IV	130	⑪	1.10	130	410	55	
		130	⑫	1.10	125	460	55	
	V	105	⑭	0.91	83	280		
		105	⑮	0.90	82	340		

\*rated data

Fan ordering information





**Airflow direction V**

Design K



Type **FB050-6EK.4F.V4S**  
Article no. **124191**  
Weight [kg] 9.50

Control technology

<p>Frequency inverter Fcontrol 1~</p>  <p>➤ Page 552</p>	<p>Motor protection units 1~</p>  <p>➤ Page 596</p>	<p>Transformer-based controllers 1~</p>  <p>➤ Page 587</p>	<p>Electronic voltage controllers 1~</p>  <p>➤ Page 562</p>
---	--	---	---

# FB

for single phase alternating current, 8 pole

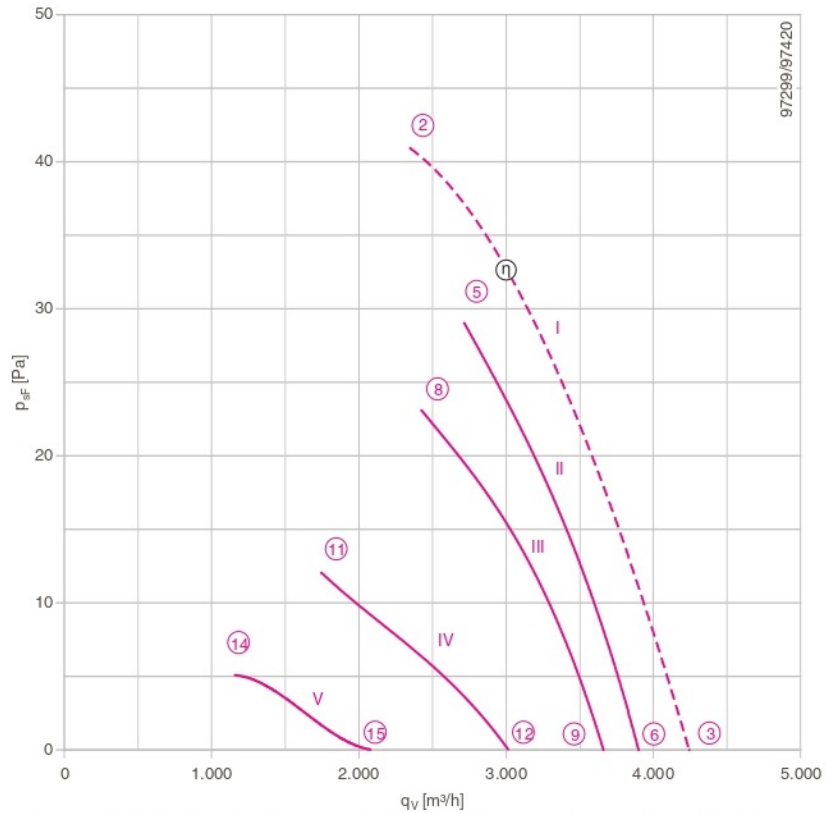
FB050-8E



## Description

Motor technology: AC  
 Rated voltage  $U_N$ : 1 ~ 230 V ± 10 %\*  
 Rated frequency  $f_N$ : 50 Hz\* (60Hz Daten verfügbar)  
 Motor input power  $P_1$ : 0.15 kW\*  
 Rated current  $I_N$ : 0.66 A\*  
 Rated speed  $n_N$ : 670 min<sup>-1</sup>\*  
 Starting current  $I_s$ : 0.90 A  
 current increase  $\Delta I$ : 0 %  
 Service capacitor  $C_{400V}$ : 3.0  $\mu$ F  
 Thermal class: **THCL155\***  
 Min. permitted conveyor temperature  $t_{R(min)}$ : -25 °C  
 Maximum permitted conveyor temperature  $t_{R(max)}$ : 70 °C  
 Electrical connection: Terminal box  
 Number of blades: 4  
 Protection class: IP54  
 Motor protection: Thermostat (TB)  
 Blades: Blades made of aluminium, uncoated  
 Rotor: Aluminium, uncoated  
 conformity: CE  
 \* Rating plate data

## Characteristic curve



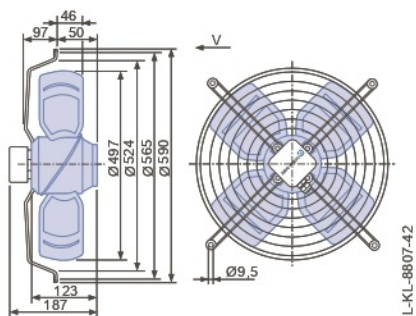
I) Measured in full bell mouth without guard grille in installation type A according to ISO 5801.  
 II-x) Measured in short-bell mouth with compressed side contact protection.

- Connection diagram 1360-104XA Page 608
- System components Page 524

## Dimensions [mm]



Design K - axial bolted, mounted for short bell mouth E



### Performance data


Type	Characteristic curve	Voltage	Operating point	Current	Motor input power	Speed	Suction side sound power level
		U [V]		I [A]	P <sub>i</sub> [W]	n [min <sup>-1</sup> ]	
FB050-8E_4C_4P	I	230*	②	0.64*	130*	680*	67
		230	③	0.56	110	710	64
	II	230	⑤	0.62	120	690	63
		230	⑥	0.58	120	700	61
	III	170	⑧	0.60	95	620	59
		170	⑨	0.52	85	660	58
	IV	135	⑪	0.64	75	440	52
		135	⑫	0.56	70	540	54
	V	110	⑭	0.56	50	300	46
		110	⑮	0.54	50	370	47

\*rated data

### Fan ordering information

**Airflow direction V**

Design K






Type **FB050-8EK.4C.V4P**

Article no. **160129**

Weight [kg] 8.10

### Control technology

<p>Frequency inverter Fcontrol 1~</p>  <p>➤ Page 552</p>	<p>Motor protection units 1~</p>  <p>➤ Page 596</p>	<p>Transformer-based controllers 1~</p>  <p>➤ Page 587</p>	<p>Electronic voltage controllers 1~</p>  <p>➤ Page 562</p>
---	--	---	--

# FB

for three phase alternating current, 4-4 pole

FB050-VD

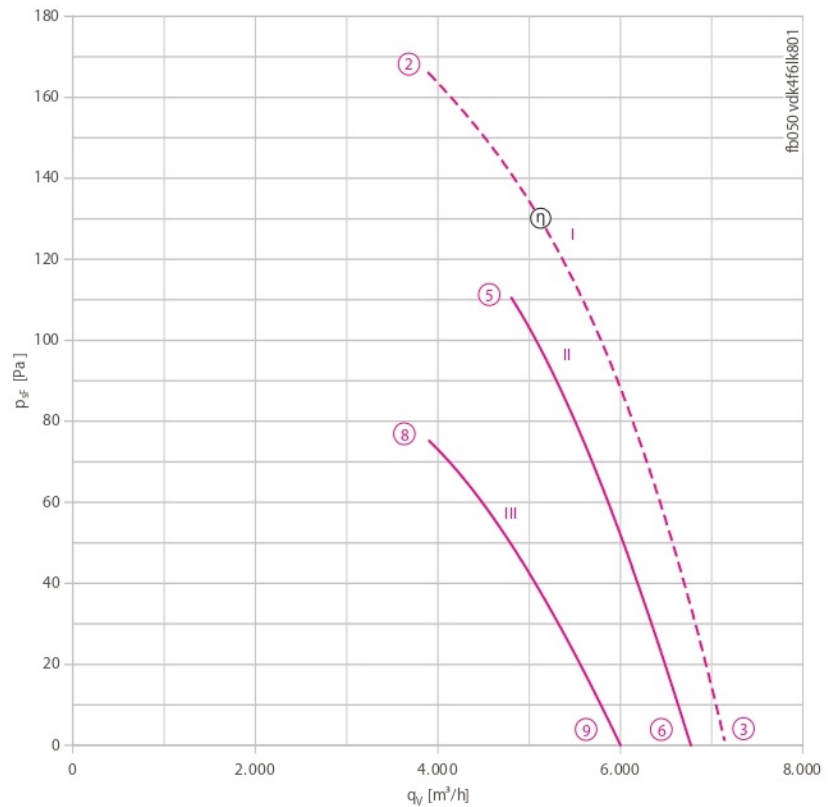


## Description

Motor technology: AC  
 Rated voltage  $U_N$ : 3~ 400 V ( $\Delta/Y$ )  $\pm 10\%$ \*  
 Rated frequency  $f_N$ : 5 Hz\*  
 Motor input power  $P_1$ : 0.58/0.44 kW\*  
 Rated current  $I_N$ : 1.05/0.71 A\*  
 Rated speed  $n_N$ : 1350/1030 min<sup>-1</sup>  
 Starting current  $I_a$ : 4.00 A / 1.20 A  
 Current increase  $\Delta I$ : 10 %  
 Thermal class: **THCL155\***  
 Min. permitted conveyor temperature  $t_{R(min)}$ : -40 °C  
 Max. permitted conveyor temperature  $t_{R(max)}$ : 55 °C  
 Electrical connection: Terminal box  
 Number of blades: 4  
 Protection class: IP54  
 Motor protection: Thermal contact  
 Blades: Aluminium, uncoated  
 Rotor: Aluminium, uncoated  
 Conformity: ErP 2015, CE

**ErP Data**  
 Efficiency  $\eta_{statA}$ : 37.7 %  
 Efficiency:  $N_{act,util} = 46.1 / N_{target} = 40$ \*\*  
 \* Rated data  
 \*\*ErP 2015

## Characteristic curve



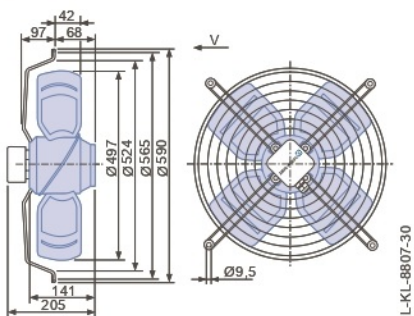
I) Measured in full bell mouth without guard grille in installation type A according to ISO 5801.  
 II-x) Measured in short-bell mouth with compressed side contact protection.

- Connection diagram 1360-108XA Page 608
- System components Page 524

## Dimensions [mm]

**Airflow direction V**

Design K - axial bolted, mounted for short bell mouth E





### Performance data

Type	Connection	Characteristic curve	Voltage	Operating point	Current	Motor input power	Speed	Suction side sound power level	Max. permitted media temperature
			U [V]						
FB050-VD_.4F.V4L	Δ	I	400*	②	1.05*	580*	1350*		55
			400	③	0.88	360	1410	76	70
			400	⑤	0.98	480	1380	76	
	Y	III	400	⑥	0.85	350	1420	76	
			400	⑧	0.62	360	1130	72	
			400	⑨	0.48	280	1260	73	

\*rated data

### Fan ordering information



Design K



Type **FB050-VDK.4F.V4L**

Article no. **124186**

Weight [kg] 9.50

### Control technology

Frequency inverter  
Fcontrol 3~



Page 558

Motor protection units  
3~



Page 596

Transformer-based  
controllers 3~



Page 591

Electronic voltage  
controllers 3~



Page 578

# FB

for three phase alternating current, 4-4 pole

FB050-VD

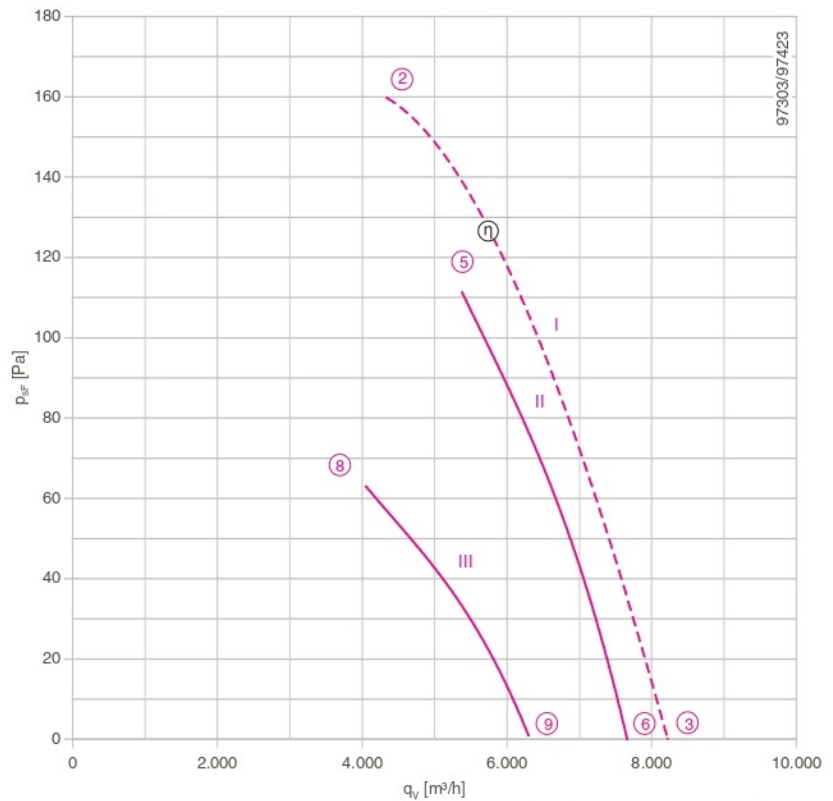


## Description

Motor technology: AC  
 Rated voltage  $U_N$ : 3~ 400 V ( $\Delta/Y$ )  $\pm 10\%$ \*  
 Rated frequency  $f_N$ : 50 Hz\*  
 Motor input power  $P_1$ : 0.65/0.44 kW\*  
 Rated current  $I_N$ : 1.15/0.77 A\*  
 Rated speed  $n_N$ : 1340/ 960 min<sup>-1</sup>\*  
 Starting current  $I_A$ : 5.10 A / 1.70 A  
 Current increase  $\Delta I$ : 15 %  
 Thermal class: THCL155\*  
 Min. permitted conveyor temperature  $t_{R(min)}$ : -40 °C  
 Max. permitted conveyor temperature  $t_{R(max)}$ : 70 °C  
 Electrical connection: Terminal box  
 Number of blades: 4  
 Protection class: IP54  
 Motor protection: Thermal contact  
 Blades: Aluminium, uncoated  
 Rotor: Aluminium, uncoated  
 Conformity: ErP 2015, CE

**ErP Data**  
 Efficiency  $\eta_{statA}$ : 34.6 %  
 Efficiency:  $N_{actual} = 42.4 / N_{target} = 40$ \*\*  
 \* Rated data  
 \*\*ErP 2015

## Characteristic curve



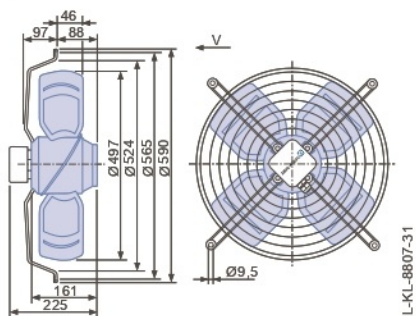
I) Measured in full bell mouth without guard grille in installation type A according to ISO 5801.  
 II-x) Measured in short-bell mouth with compressed side contact protection.

- Connection diagram 1360-108XA Page 608
- System components Page 524

## Dimensions [mm]

← Airflow direction V

Design K - axial bolted, mounted for short bell mouth E



### Performance data

Type	Connection	Characteristic curve	Voltage	Operating point	Current	Motor input power	Speed	Suction side sound power level		
			U [V]		I [A]	P <sub>1</sub> [W]	n [min <sup>-1</sup> ]	L <sub>WA5</sub> [dB]		
FB050-VD_4I_4P	Δ	I	400*	②	1.15*	660*	1340*	84		
			400	③	0.84	420	1410	77		
			400	⑤	1.05	600	1360	79		
		II	400	⑥	0.90	460	1400	77		
			Y	III	400	⑧	0.74	420	1030	73
					400	⑨	0.64	370	1140	72

\*rated data

### Fan ordering information





← Airflow direction V

Design K



**Type** FB050-VDK.4I.V4P  
**Article no.** 210543  
**Weight [kg]** 11.30

### Control technology

<p>Frequency inverter Fcontrol 3~</p>  <p>➤ Page 558</p>	<p>Motor protection units 3~</p>  <p>➤ Page 596</p>	<p>Transformer-based controllers 3~</p>  <p>➤ Page 591</p>	<p>Electronic voltage controllers 3~</p>  <p>➤ Page 578</p>
--	---	--	---

# FB

for three phase alternating current, 4-4 pole

FBO50-VD

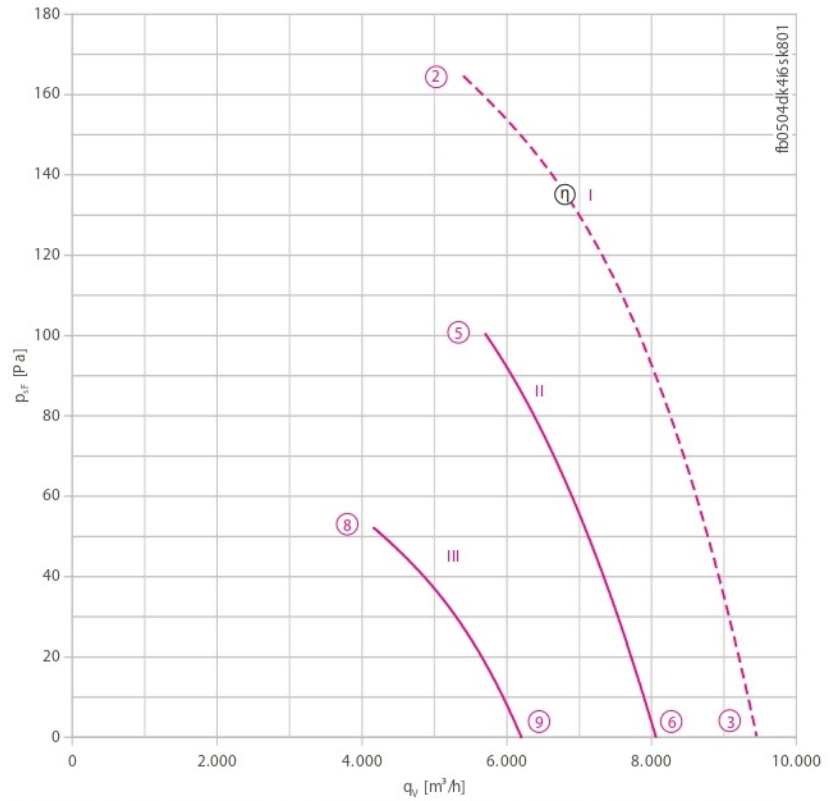


### Description

Motor technology: AC  
 Rated voltage  $U_N$ : 3~ 400 V ( $\Delta/Y$ )  $\pm 10\%$ \*  
 Rated frequency  $f_N$ : 5 Hz\*  
 Motor input power  $P_1$ : 0.82/0.55 kW\*  
 Rated current  $I_N$ : 1.50/0.95 A\*  
 Rated speed  $n_N$ : 1330/1030 min<sup>-1</sup>  
 Starting current  $I_s$ : 5.70 A / 1.90 A  
 Current increase  $\Delta I$ : 10 %  
 Thermal class: **THCL155\***  
 Min. permitted conveyor temperature  $t_{R(min)}$ : -40 °C  
 Max. permitted conveyor temperature  $t_{R(max)}$ : 50 °C  
 Electrical connection: Terminal box  
 Number of blades: 4  
 Protection class: IP54  
 Motor protection: Thermal contact  
 Blades: Aluminium, uncoated  
 Rotor: Aluminium, uncoated  
 Conformity: ErP 2013, CE

**ErP Data**  
 Efficiency  $\eta_{statA}$ : 29.9 %  
 Efficiency:  $N_{actual} = 37.0 / N_{target} = 36^{**}$   
 \* Rated data  
 \*\*ErP 2013

### Characteristic curve



I) Measured in full bell mouth without guard grille in installation type A according to ISO 5801.  
 II-x) Measured in short-bell mouth with compressed side contact protection.

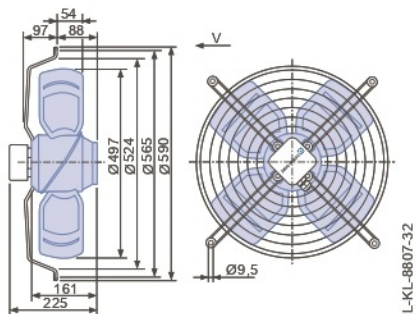
➤ Connection diagram 1360-108XA Page 608

➤ System components Page 524

### Dimensions [mm]



Design K - axial bolted, mounted for short bell mouth E



Performance data

Type	Connection	Characteristic curve	Voltage	Operating point	Current	Motor input power	Speed	Suction side sound power level	Max. permitted media temperature
			U [V]						
FB050-VD_4I.V4S	Δ	I	400*	②	1.50*	820*	1330*		50
			400	③	1.35	690	1360	83	60
			400	⑤	1.30	720	1340	81	
	Y	III	400	⑥	1.15	630	1360	80	
			400	⑧	0.88	500	980	72	
			400	⑨	0.79	460	1040	73	

\*rated data

Fan ordering information



Design K



Type **FB050-VDK.4I.V4S**

Article no. **107557**

Weight [kg] 11.30

Control technology

Frequency inverter  
Fcontrol 3~



Page 558

Motor protection units  
3~



Page 596

Transformer-based  
controllers 3~



Page 591

Electronic voltage  
controllers 3~



Page 578

Information

FE2owlet  
ECblue

FE2owlet

FB

FC

System  
components

Control  
technology

Appendix



# FB

for three phase alternating current, 6-6 pole

FBO50-SD

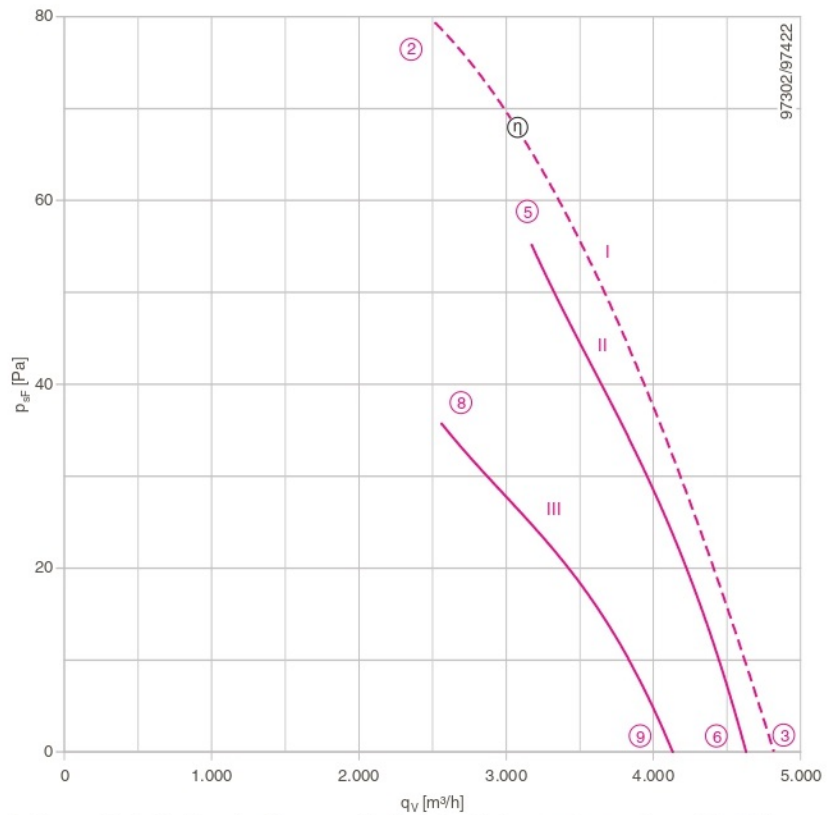


## Description

Motor technology: AC  
 Rated voltage  $U_N$ : 3~ 400 V ( $\Delta/Y$ )  $\pm 10\%$   
 Rated frequency  $f_N$ : 50 Hz\*  
 Motor input power  $P_1$ : 0.21/0.14 kW\*  
 Rated current  $I_N$ : 0.56/0.28 A\*  
 Rated speed  $n_N$ : 920/ 730 min<sup>-1</sup>\*  
 Starting current  $I_A$ : 1.50 A / 0.46 A  
 Current increase  $\Delta I$ : 0 %  
 Thermal class: THCL155\*  
 Min. permitted conveyor temperature  $t_{R(min)}$ : -40 °C  
 Max. permitted conveyor temperature  $t_{R(max)}$ : 70 °C  
 Electrical connection: Terminal box  
 Number of blades: 4  
 Protection class: IP54  
 Motor protection: Thermal contact  
 Blades: Aluminium, uncoated  
 Rotor: Aluminium, uncoated  
 Conformity: ErP 2015, CE

**ErP Data**  
 Efficiency  $\eta_{statA}$ : 29.6 %  
 Efficiency:  $N_{actual} = 40.3 / N_{target} = 40$ \*\*  
 \* Rated data  
 \*\*ErP 2015

## Characteristic curve



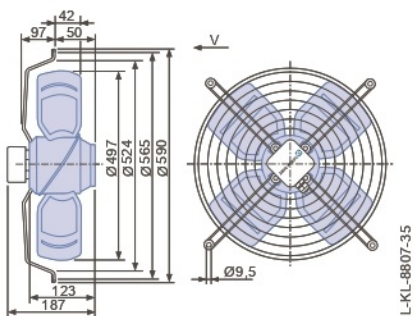
I) Measured in full bell mouth without guard grille in installation type A according to ISO 5801.  
 II-x) Measured in short-bell mouth with compressed side contact protection.

- Connection diagram 1360-108XA Page 608
- System components Page 524

## Dimensions [mm]

← Airflow direction V

Design K - axial bolted, mounted for short bell mouth E



Performance data


Type	Connection	Characteristic curve	Voltage	Operating point	Current	Motor input power	Speed	Suction side sound power level	
			U [V]		I [A]	P <sub>1</sub> [W]	n [min <sup>-1</sup> ]	L <sub>WA5</sub> [dB]	
FB050-SD_4C_4L	Δ	I	400*	②	0.56*	220*	920*	73	
			400	③	0.52	140	960	71	
			400	⑤	0.54	190	930	67	
	Y	II	400	400	⑥	0.52	150	950	66
				400	⑧	0.27	130	750	61
				400	⑨	0.21	100	850	62

\*rated data

Fan ordering information




← Airflow direction V

Design K



**Type** FB050-SDK.4C.V4L  
**Article no.** 124187  
**Weight [kg]** 8.10

Control technology

<p>Frequency inverter Fcontrol 3~</p>  <p>➤ Page 558</p>	<p>Motor protection units 3~</p>  <p>➤ Page 596</p>	<p>Transformer-based controllers 3~</p>  <p>➤ Page 591</p>	<p>Electronic voltage controllers 3~</p>  <p>➤ Page 578</p>
--	---	--	---

# FB

for three phase alternating current, 6-6 pole

FBO50-SD

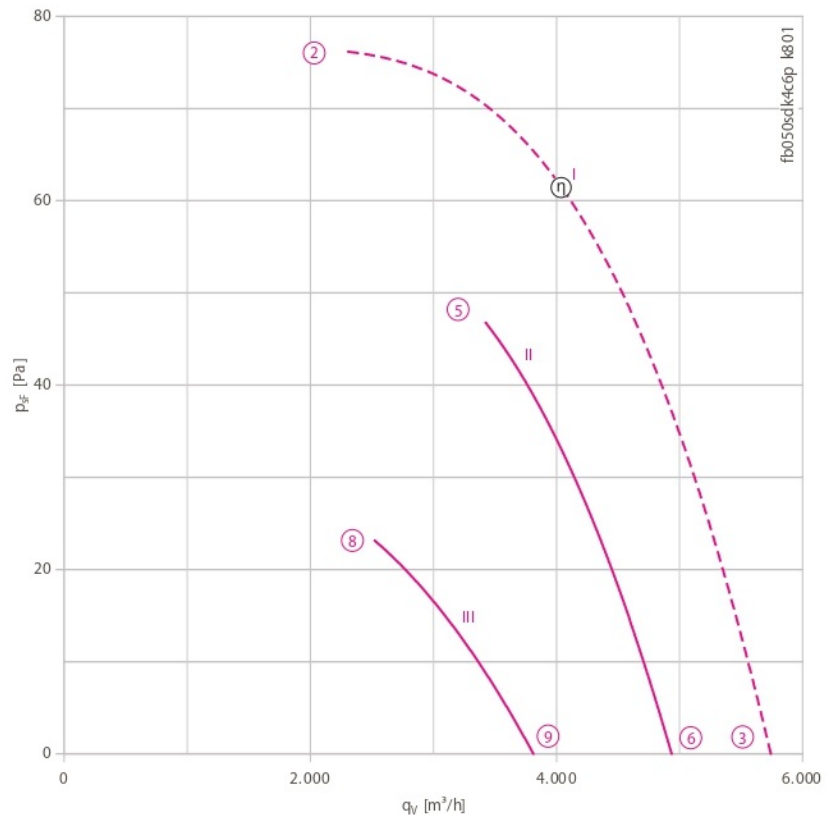


## Description

Motor technology: AC  
 Rated voltage  $U_N$ : 3~ 400 V ( $\Delta/Y$ )  $\pm 10\%$ \*  
 Rated frequency  $f_N$ : 50 Hz\*  
 Motor input power  $P_1$ : 0.24/0.14 kW\*  
 Rated current  $I_N$ : 0.55/0.29 A\*  
 Rated speed  $n_N$ : 880/ 620 min<sup>-1</sup>\*  
 Starting current  $I_A$ : 1.50 A / 0.46 A  
 Current increase  $\Delta I$ : 0 %  
 Thermal class: THCL155\*  
 Min. permitted conveyor temperature  $t_{R(min)}$ : -40 °C  
 Max. permitted conveyor temperature  $t_{R(max)}$ : 70 °C  
 Electrical connection: Terminal box  
 Number of blades: 4  
 Protection class: IP54  
 Motor protection: Thermal contact  
 Blades: Aluminium, uncoated  
 Rotor: Aluminium, uncoated  
 Conformity: ErP 2013, CE

**ErP Data**  
 Efficiency  $\eta_{statA}$ : 25.9 %  
 Efficiency:  $N_{actual} = 36.3 / N_{target} = 36$ \*\*  
 \* Rated data  
 \*\*ErP 2013

## Characteristic curve



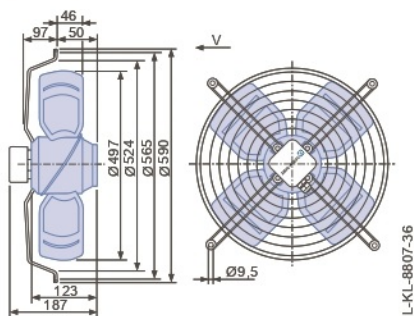
I) Measured in full bell mouth without guard grille in installation type A according to ISO 5801.  
 II-x) Measured in short-bell mouth with compressed side contact protection.

- Connection diagram 1360-108XA Page 608
- System components Page 524

## Dimensions [mm]

➤ Airflow direction V

Design K - axial bolted, mounted for short bell mouth E



Performance data


Type	Connection	Characteristic curve	Voltage	Operating point	Current	Motor input power	Speed	Suction side sound power level
			U [V]		I [A]	P <sub>1</sub> [W]	n [min <sup>-1</sup> ]	L <sub>WA5</sub> [dB]
FB050-SD_4C.V4P	Δ	I	400*	②	0.55*	240*	880*	
			400	③	0.49	175	930	69
		400	⑤	0.55	220	890	69	
	Y	II	400	⑥	0.52	190	910	67
			400	⑧	0.27	130	630	64
		400	⑨	0.25	120	700	60	

\*rated data

Fan ordering information




← Airflow direction V

Design K



**Type** FB050-SDK.4C.V4P  
**Article no.** 210542  
**Weight [kg]** 8.10

Control technology

<p>Frequency inverter Fcontrol 3~</p>  <p>➤ Page 558</p>	<p>Motor protection units 3~</p>  <p>➤ Page 596</p>	<p>Transformer-based controllers 3~</p>  <p>➤ Page 591</p>	<p>Electronic voltage controllers 3~</p>  <p>➤ Page 578</p>
--	---	--	---

Information

FE2owlet  
ECblue

FE2owlet

FB

FC

System  
components

Control  
technology

Appendix

# FB

for three phase alternating current, 6-6 pole

FBO50-SD

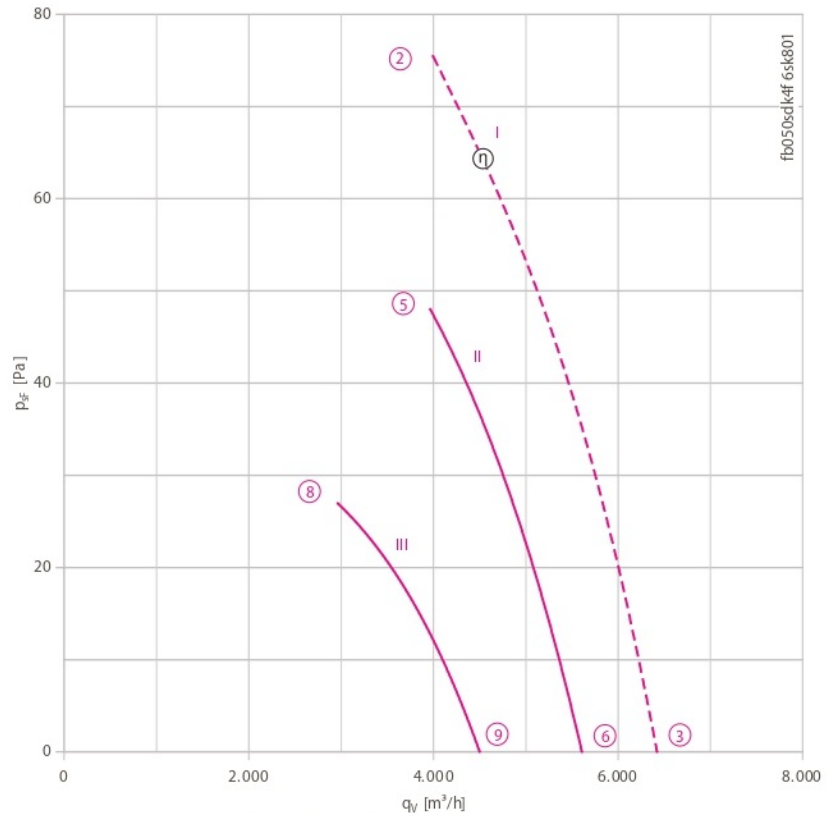


## Description

Motor technology: AC  
 Rated voltage  $U_N$ : 3~ 400 V ( $\Delta/Y$ )  $\pm 10$  %\*  
 Rated frequency  $f_N$ : 50 Hz\* (60Hz data available)  
 Motor input power  $P_1$ : 0.31/0.19 kW\*  
 Rated current  $I_N$ : 0.72/0.39 A\*  
 Rated speed  $n_N$ : 880/ 640 min<sup>-1</sup>\*  
 Starting current  $I_A$ : 1.80 A / 0.50 A  
 Current increase  $\Delta I$ : 0 %  
 Thermal class: **THCL155\***  
 Min. permitted conveyor temperature  $t_{R(min)}$ : -40 °C  
 Max. permitted conveyor temperature  $t_{R(max)}$ : 70 °C  
 Electrical connection: Terminal box  
 Number of blades: 4  
 Protection class: IP54  
 Motor protection: Thermal contact  
 Blades: Aluminium, uncoated  
 Rotor: Aluminium, uncoated  
 Conformity: ErP 2013, CE

**ErP Data**  
 Efficiency  $\eta_{statA}$ : 26.2 %  
 Efficiency:  $N_{actual} = 36.1 / N_{target} = 36$ \*\*  
 \* Rated data  
 \*\*ErP 2013

## Characteristic curve



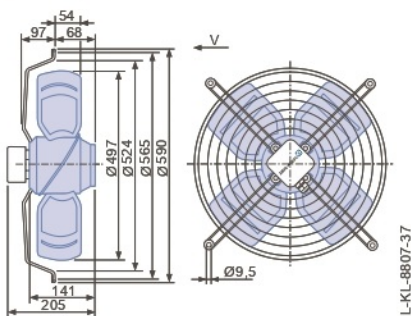
I) Measured in full bell mouth without guard grille in installation type A according to ISO 5801.  
 II-x) Measured in short-bell mouth with compressed side contact protection.

- Connection diagram 1360-108XA Page 608
- System components Page 524

## Dimensions [mm]

← Airflow direction V

Design K - axial bolted, mounted for short bell mouth E





### Performance data


Type	Connection	Characteristic curve	Voltage	Operating point	Current	Motor input power	Speed	Suction side sound power level
			U [V]		I [A]	P <sub>1</sub> [W]	n [min <sup>-1</sup> ]	L <sub>WA5</sub> [dB]
FB050-SD_4F.V4S	Δ	I	400*	②	0.72*	310*	880*	
			400	③	0.63	230	930	73
		II	400	⑤	0.67	280	910	72
	Y	III	400	⑥	0.64	250	920	71
			400	⑧	0.38	190	700	64
		400	⑨	0.36	175	750	65	

\*rated data

### Fan ordering information




**Airflow direction V**

Design K



**Type** FB050-SDK.4F.V4S  
**Article no.** 124388  
**Weight [kg]** 9.50

### Control technology

<p>Frequency inverter Fcontrol 3~</p>  <p>Page 558</p>	<p>Motor protection units 3~</p>  <p>Page 596</p>	<p>Transformer-based controllers 3~</p>  <p>Page 591</p>	<p>Electronic voltage controllers 3~</p>  <p>Page 578</p>
--	---	--	---

# FB

for three phase alternating current, 8-8 pole

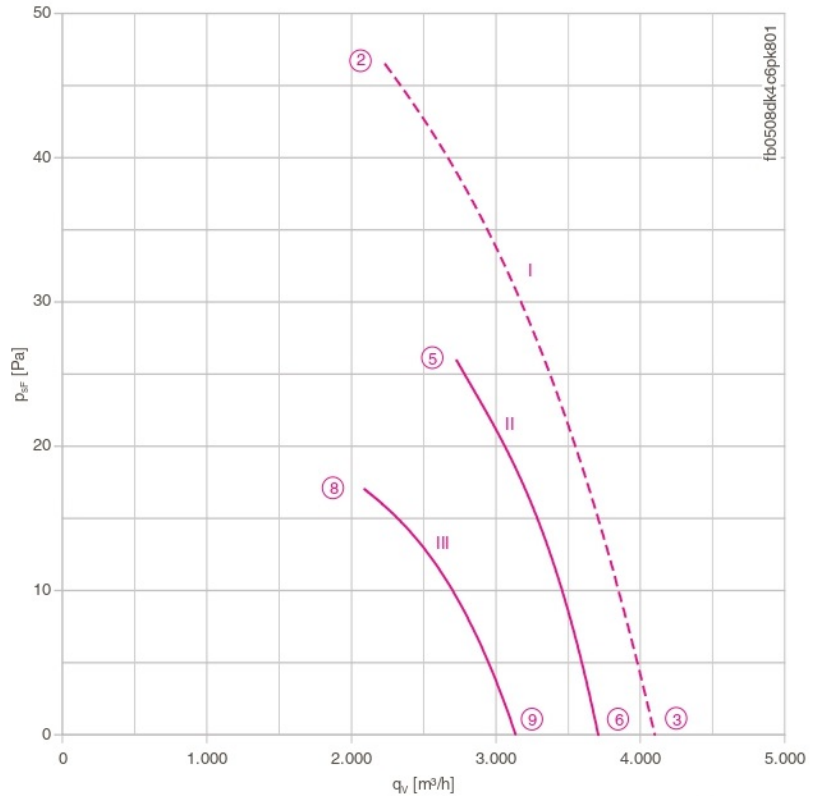
FBO50-AD



### Description

Motor technology: AC  
 Rated voltage  $U_N$ : 3~ 400 V ( $\Delta/Y$ )  $\pm 10\%$ \*  
 Rated frequency  $f_N$ : 50 Hz\*  
 Motor input power  $P_1$ : 0.12/0.08 kW\*  
 Rated current  $I_N$ : 0.30/0.15 A\*  
 Rated speed  $n_N$ : 670/520 min<sup>-1</sup>\*  
 Starting current  $I_s$ : 0.70 A / 0.22 A  
 Current increase  $\Delta I$ : 0 %  
 Thermal class: THCL155\*  
 Min. permitted conveyor temperature  $t_{R(min)}$ : -40 °C  
 Max. permitted conveyor temperature  $t_{R(max)}$ : 70 °C  
 Electrical connection: Terminal box  
 Number of blades: 4  
 Protection class: IP54  
 Motor protection: Thermal contact  
 Blades: Aluminium, uncoated  
 Rotor: Aluminium, uncoated  
 Conformity: CE  
**ErP Data**  
 Is not subject to the ErP Guidelines ( $P_1 < 125$  W)  
 \* Rated data

### Characteristic curve



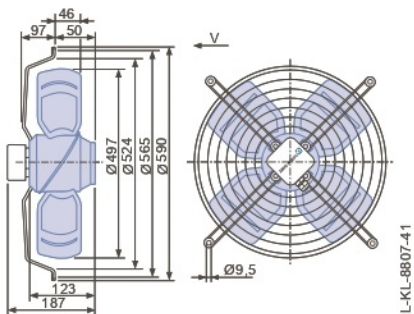
I) Measured in full bell mouth without guard grille in installation type A according to ISO 5801.  
 II-x) Measured in short-bell mouth with compressed side contact protection.

➤ Connection diagram 1360-108XA Page 608

➤ System components Page 524

### Dimensions [mm]

← Airflow direction V  
 Design K - axial bolted, mounted for short bell mouth E



### Performance data


Type	Connection	Characteristic curve	Voltage	Operating point	Current	Motor input power	Speed	Suction side sound power level
			U [V]		I [A]	P <sub>1</sub> [W]	n [min <sup>-1</sup> ]	L <sub>WA5</sub> [dB]
FB050-AD_4C.V4P	Δ	I	400*	②	0.30*	115*	670*	
			400	③	0.26	92	690	62
		II	400	⑤	0.27	105	680	63
	Y	III	400	⑥	0.26	92	690	60
			400	⑧	0.13	66	550	59
		400	⑨	0.11	60	590	57	

\*rated data

### Fan ordering information




**Airflow direction V**

Design K



**Type** FB050-ADK.4C.V4P  
**Article no.** 124188  
**Weight [kg]** 8.10

### Control technology

<p>Frequency inverter Fcontrol 3~</p>  <p>➤ Page 558</p>	<p>Motor protection units 3~</p>  <p>➤ Page 596</p>	<p>Transformer-based controllers 3~</p>  <p>➤ Page 591</p>	<p>Electronic voltage controllers 3~</p>  <p>➤ Page 578</p>
--	---	--	---

# FB

for single phase alternating current, 6 pole

FBO56-6E



## Description

Motor technology: AC  
 Rated voltage  $U_N$ : 1 ~ 230 V  $\pm 10\%$   
 Rated frequency  $f_N$ : 50 Hz\*  
 Motor input power  $P_1$ : 0.33 kW\*  
 Rated current  $I_N$ : 1.70 A\*  
 Rated speed  $n_N$ : 890 min<sup>-1</sup>\*  
 Starting current  $I_s$ : 3.60 A  
 Current increase  $\Delta I$ : 10 %  
 Service capacitor  $C_{400V}$ : 6.0  $\mu F$   
 Thermal class: **THCL155\***  
 Min. permitted conveyor temperature  $t_{R(min)}$ : -25 °C  
 Max. permitted conveyor temperature  $t_{R(max)}$ : 65 °C  
 Electrical connection: Terminal box  
 Number of blades: 4  
 Protection class: IP54  
 Motor protection: Thermal contact  
 Blades: Aluminium, uncoated  
 Rotor: Aluminium, uncoated  
 Conformity: ErP 2013, CE

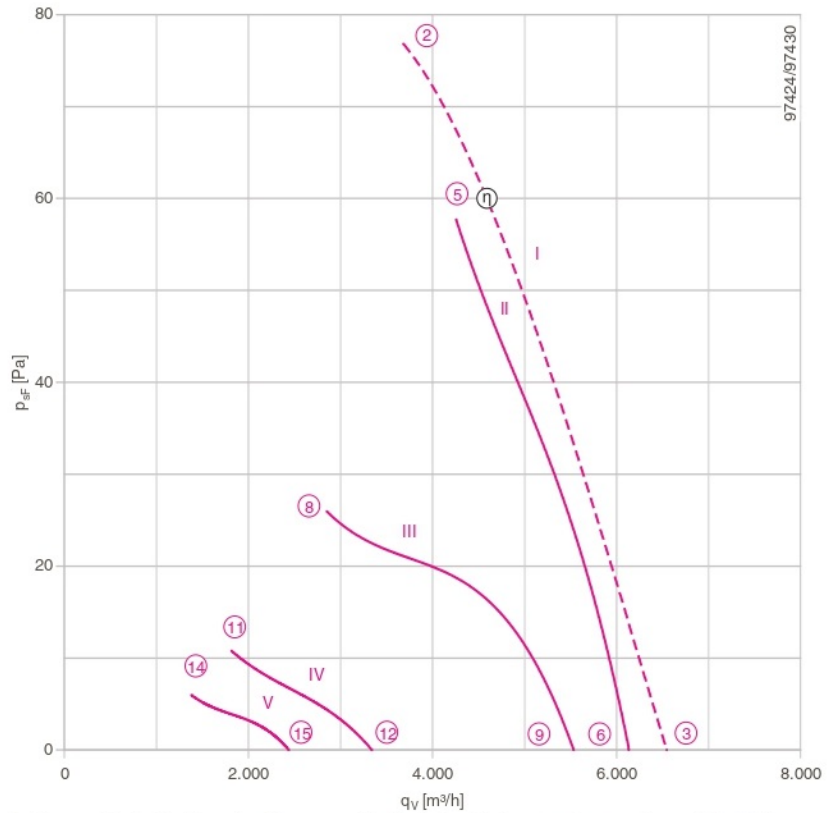
## ErP Data

Efficiency  $\eta_{statA}$ : 27.4 %  
 Efficiency:  $N_{actual} = 37.0 / N_{target} = 36$ \*\*  
 \* Rated data  
 \*\*ErP 2013

Connection diagrams Page 608  
 for airflow direction V 1360-104XA  
 for airflow direction A 1360-104XB

System components Page 524

## Characteristic curve

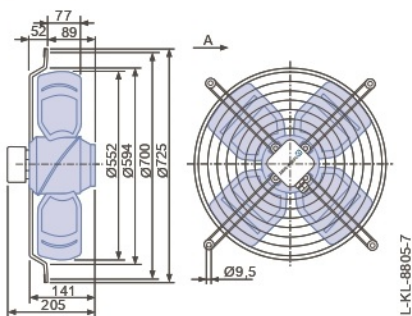


I) Measured in full bell mouth without guard grille in installation type A according to ISO 5801.  
 II-x) Measured in short-bell mouth with compressed side contact protection.

## Dimensions [mm]

### Airflow direction A

Design W - axial bolted, mounting for short bell mouth E





Performance data





Type	Characteristic curve	Voltage	Operating point	Current	Motor input power	Speed	Suction side sound power level $L_{WAS}$ [dB]
		U [V]		I [A]	$P_1$ [W]	n [min <sup>-1</sup> ]	
FB056-6E_.4F_.4L	I	230*	②	1.25*	280*	880*	
		230	③	1.00	220	920	68
		230	⑤	1.15	260	890	69
	II	230	⑥	0.93	210	930	70
		160	⑧	1.25	185	610	64
		160	⑨	1.00	155	810	66
	IV	130	⑪	1.10	125	440	55
		130	⑫	1.05	120	580	58
		105	⑭	0.90	83	330	
	V	105	⑮	0.89	82	410	

\*rated data

Fan ordering information

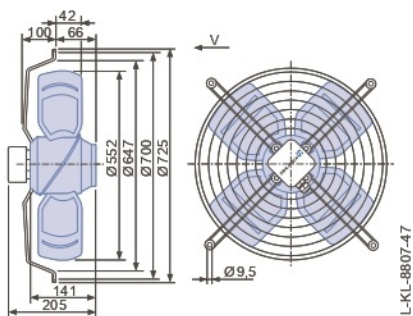
Airflow direction A		Airflow direction V	
Design	W		K
			
Type	FB056-6EW.4F.A4L		FB056-6EK.4F.V4L
Article no.	132418		124174
Weight [kg]	10.30		10.30

Control technology

<p>Frequency inverter Fcontrol 1~</p>  <p>Page 552</p>	<p>Motor protection units 1~</p>  <p>Page 596</p>	<p>Transformer-based controllers 1~</p>  <p>Page 587</p>	<p>Electronic voltage controllers 1~</p>  <p>Page 562</p>
---	--	---	--

Airflow direction V

Design K - axial bolted, mounted for short bell mouth E





# FB

for single phase alternating current, 6 pole

FBO56-6E



## Description

Motor technology: AC  
 Rated voltage  $U_N$ : 1 ~ 230 V  $\pm 10$  %\*  
 Rated frequency  $f_N$ : 50 Hz\*  
 Motor input power  $P_1$ : 0.37 kW\*  
 Rated current  $I_N$ : 1.70 A\*  
 Rated speed  $n_N$ : 900 min<sup>-1</sup>\*  
 Starting current  $I_s$ : 3.80 A  
 Current increase  $\Delta I$ : 20 %  
 Service capacitor  $C_{400V}$ : 8.0  $\mu F$   
 Thermal class: **THCL155\***  
 Min. permitted conveyor temperature  $t_{R(min)}$ : -25 °C  
 Max. permitted conveyor temperature  $t_{R(max)}$ : 65 °C  
 Electrical connection: Terminal box  
 Number of blades: 4  
 Protection class: IP54  
 Motor protection: Thermal contact  
 Blades: Aluminium, uncoated  
 Rotor: Aluminium, uncoated  
 Conformity: ErP 2013, CE

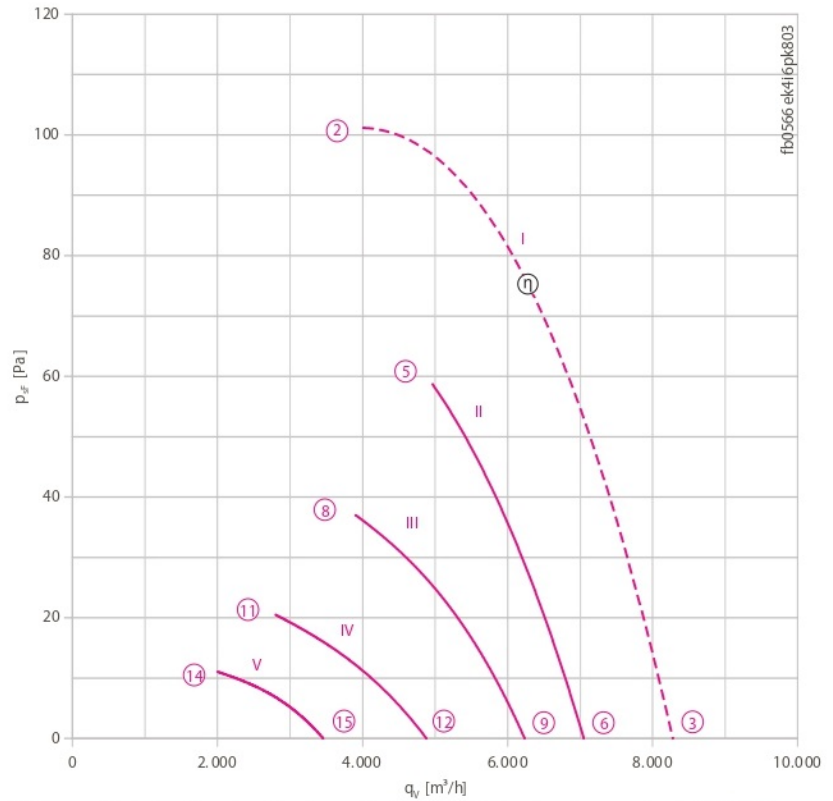
## ErP Data

Efficiency  $\eta_{statA}$ : 28.7 %  
 Efficiency:  $N_{actual} = 38.0 / N_{target} = 36$ \*\*  
 \* Rated data  
 \*\*ErP 2013

➤ Connection diagrams Page 608  
 for airflow direction V 1360-104XA  
 for airflow direction A 1360-104XB

➤ System components Page 524

## Characteristic curve

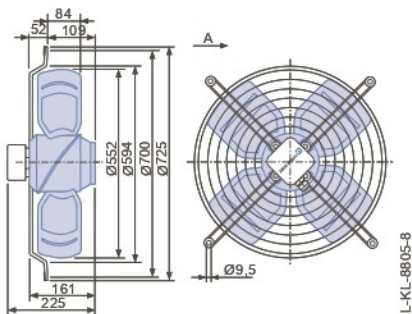


I) Measured in full bell mouth without guard grille in installation type A according to ISO 5801.  
 II-x) Measured in short-bell mouth with compressed side contact protection.

## Dimensions [mm]

Airflow direction A

Design W - axial bolted, mounting for short bell mouth E





Performance data





Type	Characteristic curve	Voltage	Operating point	Current	Motor input power	Speed	Suction side sound power level $L_{WA5}$ [dB]	Max. permitted media temperature $t_{R+}$ [°C]
		U [V]		I [A]	$P_1$ [W]	n [min <sup>-1</sup> ]		
FB056-6E_4I_4P	I	230*	②	1.70*	370*	900*		65
		230	③	1.45	320	920	73	
		230	⑤	1.60	350	910	72	70
	II	230	⑥	1.35	300	930	72	
		160	⑧	1.90	280	730	67	
	III	160	⑨	1.60	240	820	68	
		130	⑪	1.90	210	550	61	
	IV	130	⑫	1.70	200	640	63	
		105	⑭	1.55	145	380	57	
	V	105	⑮	1.50	140	460	56	

\*rated data

Fan ordering information

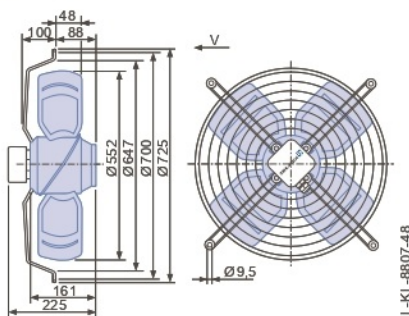
Airflow direction A		Airflow direction V	
Design	W		K
			
Type	FB056-6EW.4I.A4P		FB056-6EK.4I.V4P
Article no.	106941		124175
Weight [kg]	12.10		12.10

Control technology

<p>Frequency inverter Fcontrol 1~</p>  <p>➤ Page 552</p>	<p>Motor protection units 1~</p>  <p>➤ Page 596</p>	<p>Transformer-based controllers 1~</p>  <p>➤ Page 587</p>	<p>Electronic voltage controllers 1~</p>  <p>➤ Page 562</p>
---	--	---	--

Airflow direction V

Design K - axial bolted, mounted for short bell mouth E



# FB

for single phase alternating current, 8 pole

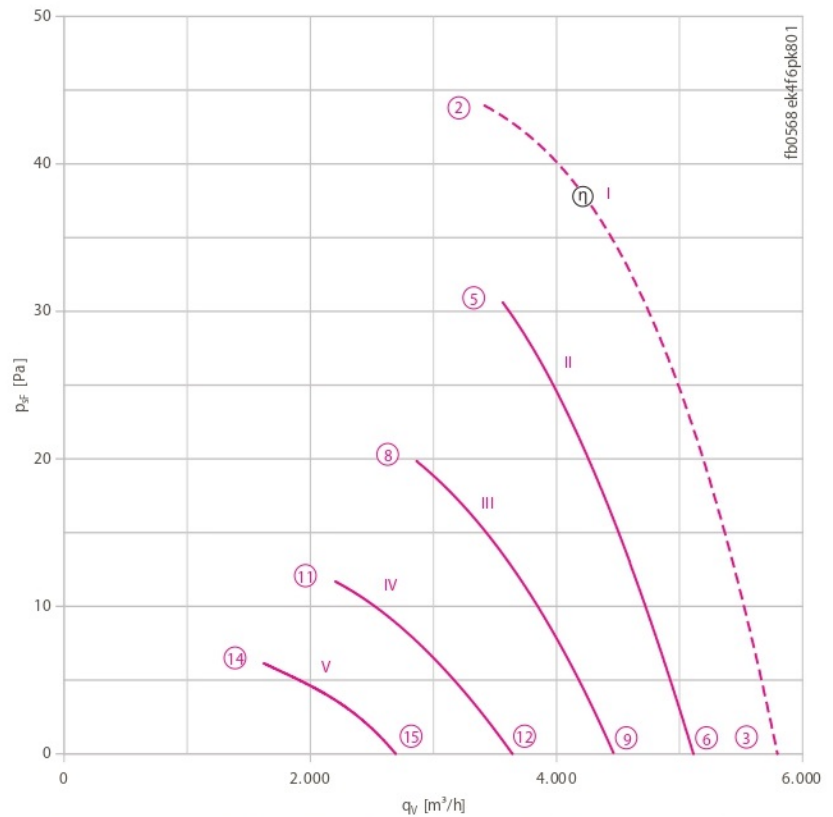
FB056-8E



## Description

Motor technology: AC  
 Rated voltage  $U_N$ : 1 ~ 230 V ± 10 %\*  
 Rated frequency  $f_N$ : 50 Hz\* (60Hz data available)  
 Motor input power  $P_1$ : 0.22 kW\*  
 Rated current  $I_N$ : 1.10 A\*  
 Rated speed  $n_N$ : 680 min<sup>-1</sup>\*  
 Starting current  $I_s$ : 1.60 A  
 Current increase  $\Delta I$ : 0 %  
 Service capacitor  $C_{400V}$ : 5.0 μF  
 Thermal class: **THCL155**\*  
 Min. permitted conveyor temperature  $t_{R(min)}$ : -25 °C  
 Max. permitted conveyor temperature  $t_{R(max)}$ : 65 °C  
 Electrical connection: Terminal box  
 Number of blades: 4  
 Protection class: IP54  
 Motor protection: Thermal contact  
 Blades: Aluminium, uncoated  
 Rotor: Aluminium, uncoated  
 \* Rated data

## Characteristic curve



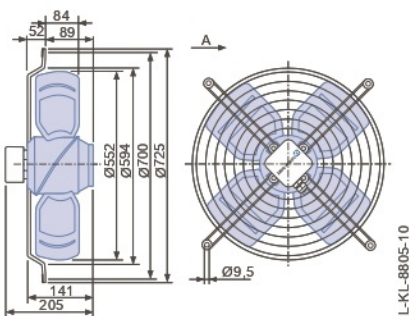
I) Measured in full bell mouth without guard grille in installation type A according to ISO 5801.  
 II-x) Measured in short-bell mouth with compressed side contact protection.

- Connection diagrams Page 608
  - for airflow direction V 1360-104XA
  - for airflow direction A 1360-104XB
- System components Page 524

## Dimensions [mm]

### Airflow direction A

Design W - axial bolted, mounting for short bell mouth E





Performance data





Type	Characteristic curve	Voltage	Operating point	Current	Motor input power	Speed	Suction side sound power level $L_{WA5}$ [dB]	Max. permitted media temperature $t_{R+}$ [°C]
		U [V]		I [A]	$P_1$ [W]	n [min <sup>-1</sup> ]		
FB056-8E_4F_4P	I	230*	②	1.10*	220*	680*		65
		230	③	0.95	190	690	64	
	II	230	⑤	1.00	200	680	65	70
		230	⑥	0.93	180	710	65	
	III	160	⑧	0.94	130	510	60	
		160	⑨	0.81	115	600	61	
	IV	130	⑪	0.83	94	410	56	
		130	⑫	0.78	89	490	57	
	V	105	⑭	0.70	62	310		
		105	⑮	0.69	62	360		

\*rated data

Fan ordering information

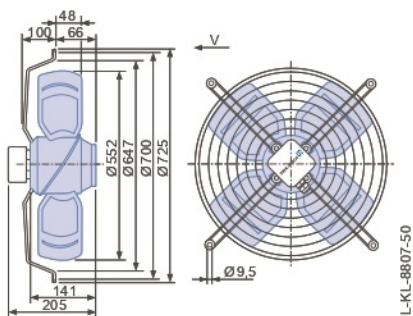
Airflow direction A		Airflow direction V	
Design	W		K
			
Type	FB056-8EW.4F.A4P		FB056-8EK.4F.V4P
Article no.	107066		124176
Weight [kg]	10.30		10.30

Control technology

<p>Frequency inverter Fcontrol 1~</p>  <p>➤ Page 552</p>	<p>Motor protection units 1~</p>  <p>➤ Page 596</p>	<p>Transformer-based controllers 1~</p>  <p>➤ Page 587</p>	<p>Electronic voltage controllers 1~</p>  <p>➤ Page 562</p>
---	--	---	---

Airflow direction V

Design K - axial bolted, mounted for short bell mouth E



# FB

for three phase alternating current, 4-4 pole

FB056-VD

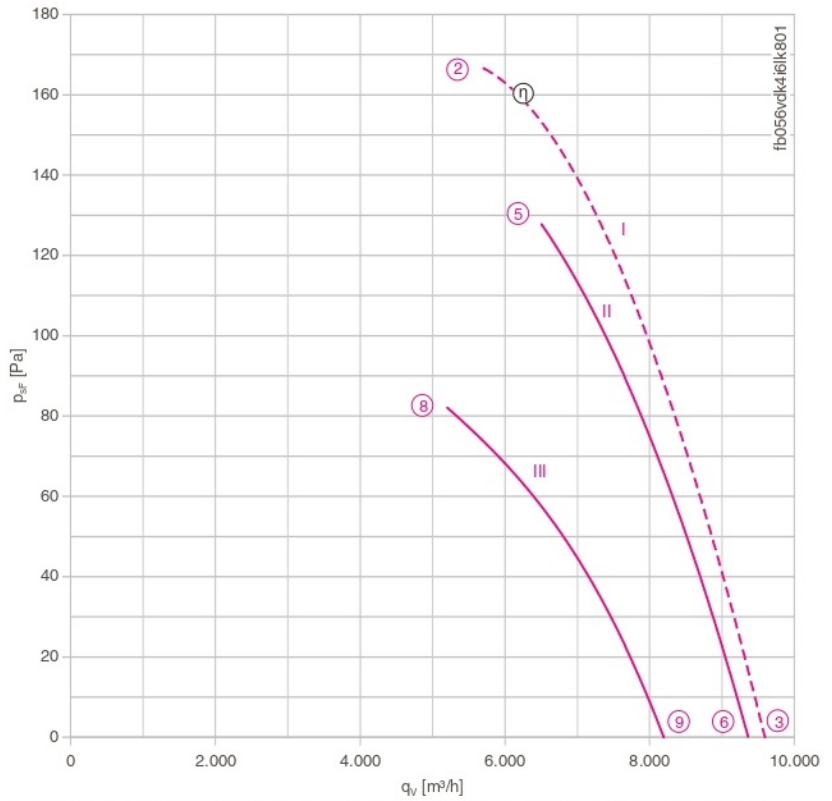


## Description

Motor technology: AC  
 Rated voltage  $U_N$ : 3~ 400 V ( $\Delta/Y$ )  $\pm 10$  %\*  
 Rated frequency  $f_N$ : 50 Hz\*  
 Motor input power  $P_1$ : 0.84/0.64 kW\*  
 Rated current  $I_N$ : 1.65/1.05 A\*  
 Rated speed  $n_N$ : 1360/1090 min<sup>-1</sup>\*  
 Starting current  $I_A$ : 6.00 A / 2.00 A  
 Current increase  $\Delta I$ : 10 %  
 Thermal class: THCL155\*  
 Min. permitted conveyor temperature  $t_{R(min)}$ : -40 °C  
 Max. permitted conveyor temperature  $t_{R(max)}$ : 40 °C  
 Electrical connection: Terminal box  
 Number of blades: 4  
 Protection class: IP54  
 Motor protection: Thermal contact  
 Blades: Aluminium, uncoated  
 Rotor: Aluminium, uncoated  
 Conformity: ErP 2015, CE

**ErP Data**  
 Efficiency  $\eta_{statA}$ : 37.9 %  
 Efficiency:  $N_{actual} = 45.0 / N_{target} = 40$ \*\*  
 \* Rated data  
 \*\*ErP 2015

## Characteristic curve



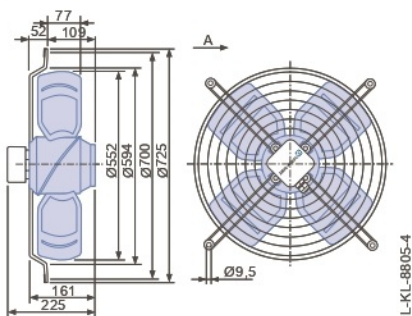
I) Measured in full bell mouth without guard grille in installation type A according to ISO 5801.  
 II-x) Measured in short-bell mouth with compressed side contact protection.

- Connection diagrams Page 608
  - for airflow direction V 1360-108XA
  - for airflow direction A 1360-108XB
- System components Page 524

## Dimensions [mm]

### Airflow direction A

Design W - axial bolted, mounting for short bell mouth E







Performance data





Type	Connection	Characteristic curve	Voltage	Operating point	Current	Motor input power	Speed	Suction side sound power level	Max. permitted media temperature
			U [V]						
FB056-VD_.4I_.4L	Δ	I	400*	②	1.65*	840*	1360*		40
			400	③	1.25	570	1410	79	50
			400	⑤	1.45	760	1370	80	
	400	⑥	1.20	540	1420	80			
	Y	III	400	⑧	0.97	580	1110	76	
			400	⑨	0.76	450	1230	77	

\*rated data

Fan ordering information

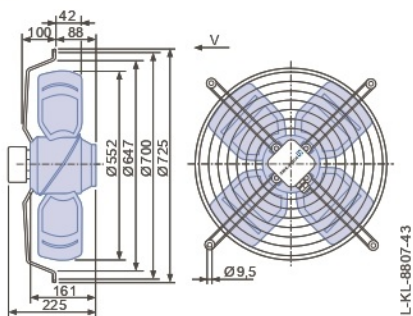
Airflow direction A		Airflow direction V	
Design	W		K
			
Type	FB056-VDW.4I.A4L		FB056-VDK.4I.V4L
Article no.	127411		124384
Weight [kg]	12.10		12.10

Control technology

<p>Frequency inverter Fcontrol 3~</p>  <p>Page 558</p>	<p>Motor protection units 3~</p>  <p>Page 596</p>	<p>Transformer-based controllers 3~</p>  <p>Page 591</p>	<p>Electronic voltage controllers 3~</p>  <p>Page 578</p>
---	--	---	--

Airflow direction V

Design K - axial bolted, mounted for short bell mouth E



# FB

for three phase alternating current, 6-6 pole

FBO56-SD



### Description

Motor technology: AC  
 Rated voltage  $U_N$ : 3- 400 V ( $\Delta/Y$ )  $\pm 10\%$   
 Rated frequency  $f_N$ : 50 Hz\* (60Hz data available)  
 Motor input power  $P_1$ : 0.28/0.18 kW\*  
 Rated current  $I_N$ : 0.68/0.39 A\*  
 Rated speed  $n_N$ : 910/ 660 min<sup>-1</sup>\*  
 Starting current  $I_A$ : 1.80 A / 0.50 A  
 Current increase  $\Delta I$ : 0 %  
 Thermal class: THCL155\*  
 Min. permitted conveyor temperature  $t_{R(min)}$ : -40 °C  
 Max. permitted conveyor temperature  $t_{R(max)}$ : 70 °C  
 Electrical connection: Terminal box  
 Number of blades: 4  
 Protection class: IP54  
 Motor protection: Thermal contact  
 Blades: Aluminium, uncoated  
 Rotor: Aluminium, uncoated  
 Conformity: ErP 2015, CE

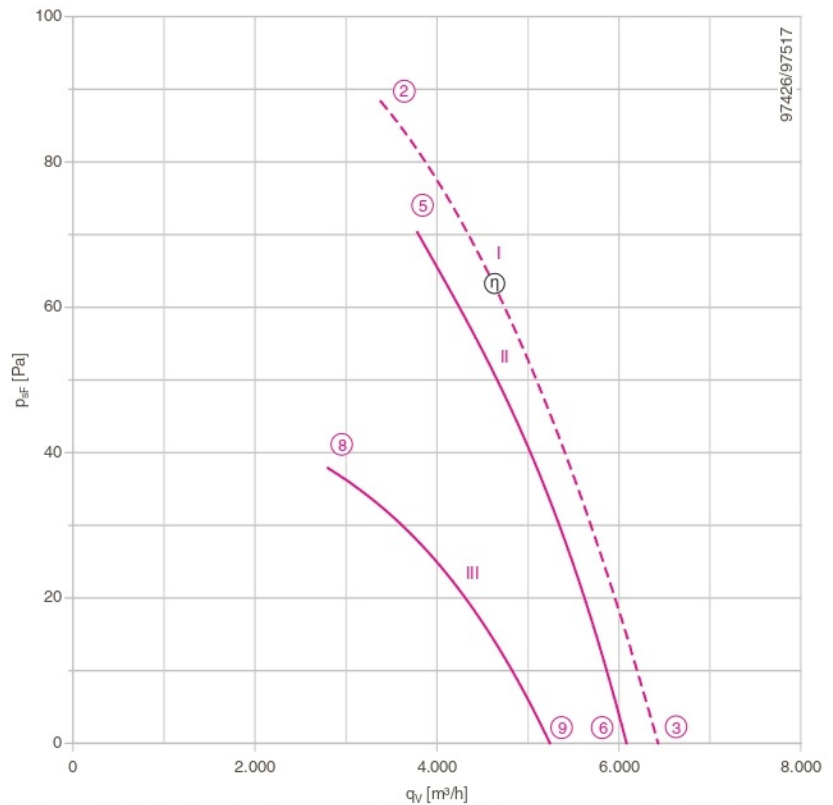
### ErP Data

Efficiency  $\eta_{statA}$ : 34.0 %  
 Efficiency:  $N_{actual} = 44.2 / N_{target} = 40$ \*\*  
 \* Rated data  
 \*\*ErP 2015

Connection diagrams Page 608  
 for airflow direction V 1360-108XA  
 for airflow direction A 1360-108XB

System components Page 524

### Characteristic curve

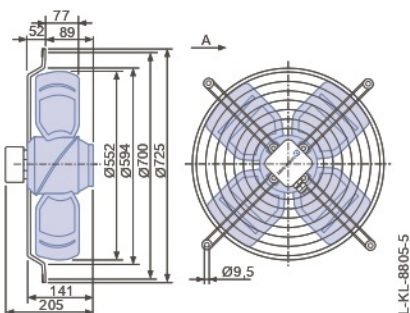


I) Measured in full bell mouth without guard grille in installation type A according to ISO 5801.  
 II-x) Measured in short-bell mouth with compressed side contact protection.

### Dimensions [mm]

Airflow direction A

Design W - axial bolted, mounting for short bell mouth E





Performance data


Type	Connection	Characteristic curve	Voltage	Operating point	Current	Motor input power	Speed	Suction side sound power level $L_{WA5}$ [dB]
			U [V]					
FB056-SD_4F_4L	Δ	I	400*	②	0.68*	280*	910*	76
			400	③	0.58	180	960	72
			400	⑤	0.64	250	930	75
	Y	III	400	⑥	0.58	190	950	72
			400	⑧	0.38	170	680	68
			400	⑨	0.30	140	820	68

\*rated data

Fan ordering information

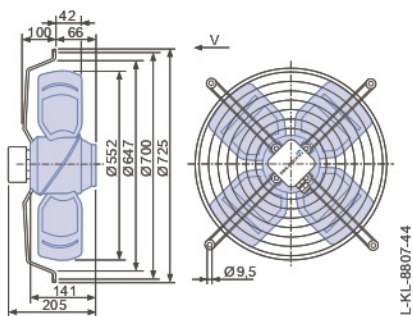
Airflow direction A		Airflow direction V	
Design	W		K
			
Type	FB056-SDW.4F.A4L		FB056-SDK.4F.V4L
Article no.	132416		124385
Weight [kg]	10.30		10.30

Control technology

<p>Frequency inverter Fcontrol 3~</p>  <p>Page 558</p>	<p>Motor protection units 3~</p>  <p>Page 596</p>	<p>Transformer-based controllers 3~</p>  <p>Page 591</p>	<p>Electronic voltage controllers 3~</p>  <p>Page 578</p>
--	---	--	---

Airflow direction V

Design K - axial bolted, mounted for short bell mouth E



# FB

for three phase alternating current, 6-6 pole

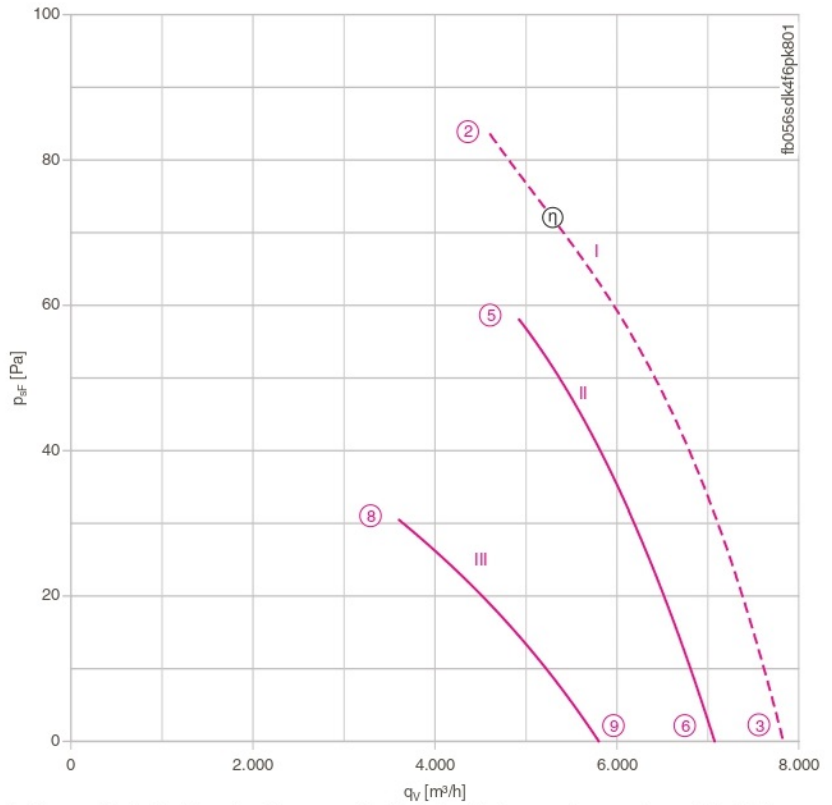
FBO56-SD



## Description

Motor technology: AC  
 Rated voltage  $U_N$ : 3~ 400 V ( $\Delta/Y$ )  $\pm 10\%$ \*  
 Rated frequency  $f_N$ : 50 Hz\*  
 Motor input power  $P_1$ : 0.41/0.25 kW\*  
 Rated current  $I_N$ : 0.90/0.50 A\*  
 Rated speed  $n_N$ : 890/ 610 min<sup>-1</sup>\*  
 Starting current  $I_s$ : 2.40 A / 0.70 A  
 Current increase  $\Delta I$ : 5 %  
 Thermal class: THCL155\*  
 Min. permitted conveyor temperature  $t_{R(min)}$ : -40 °C  
 Max. permitted conveyor temperature  $t_{R(max)}$ : 65 °C  
 Electrical connection: Terminal box  
 Number of blades: 4  
 Protection class: IP54  
 Motor protection: Thermal contact  
 Blades: Aluminium, uncoated  
 Rotor: Aluminium, uncoated  
 Conformity: ErP 2013, CE  
**ErP Data**  
 Efficiency  $\eta_{statA}$ : 28.7 %  
 Efficiency:  $N_{actual} = 37.9 / N_{target} = 36$ \*\*  
 \* Rated data  
 \*\*ErP 2013

## Characteristic curve



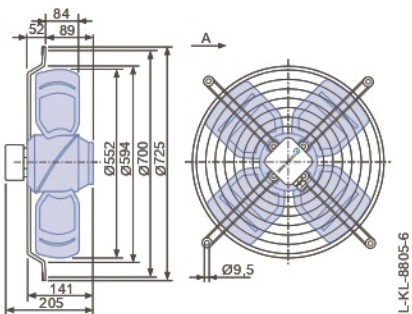
I) Measured in full bell mouth without guard grille in installation type A according to ISO 5801.  
 II-x) Measured in short-bell mouth with compressed side contact protection.

- Connection diagrams Page 608
  - for airflow direction V 1360-108XA
  - for airflow direction A 1360-108XB
- System components Page 524

## Dimensions [mm]

### Airflow direction A

Design W - axial bolted, mounting for short bell mouth E





Performance data





Type	Connection	Characteristic curve	Voltage	Operating point	Current	Motor input power	Speed	Suction side sound power level	Max. permitted media temperature
			U [V]						
FB056-SD_4F_4P	Δ	I	400*	②	0.90*	410*	890*		65
			400	③	0.81	330	920	73	70
			400	⑤	0.83	350	910	72	
	400	⑥	0.78	290	920	71			
	Y	III	400	⑧	0.46	230	670	66	
			400	⑨	0.42	210	760	66	

\*rated data

Fan ordering information

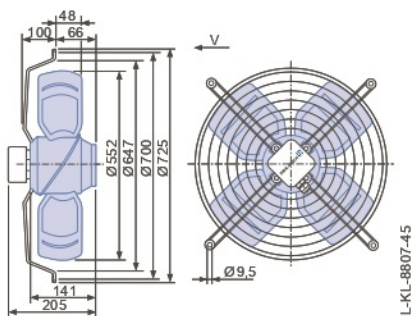
Airflow direction A		Airflow direction V	
Design	W		K
			
Type	<b>FB056-SDW.4F.A4P</b>		<b>FB056-SDK.4F.V4P</b>
Article no.	<b>106942</b>		<b>108039</b>
Weight [kg]	10.30		10.30

Control technology

<p>Frequency inverter Fcontrol 3~</p>  <p>Page 558</p>	<p>Motor protection units 3~</p>  <p>Page 596</p>	<p>Transformer-based controllers 3~</p>  <p>Page 591</p>	<p>Electronic voltage controllers 3~</p>  <p>Page 578</p>
---	--	---	--

Airflow direction V

Design K - axial bolted, mounted for short bell mouth E





# FB

for three phase alternating current, 6-6 pole

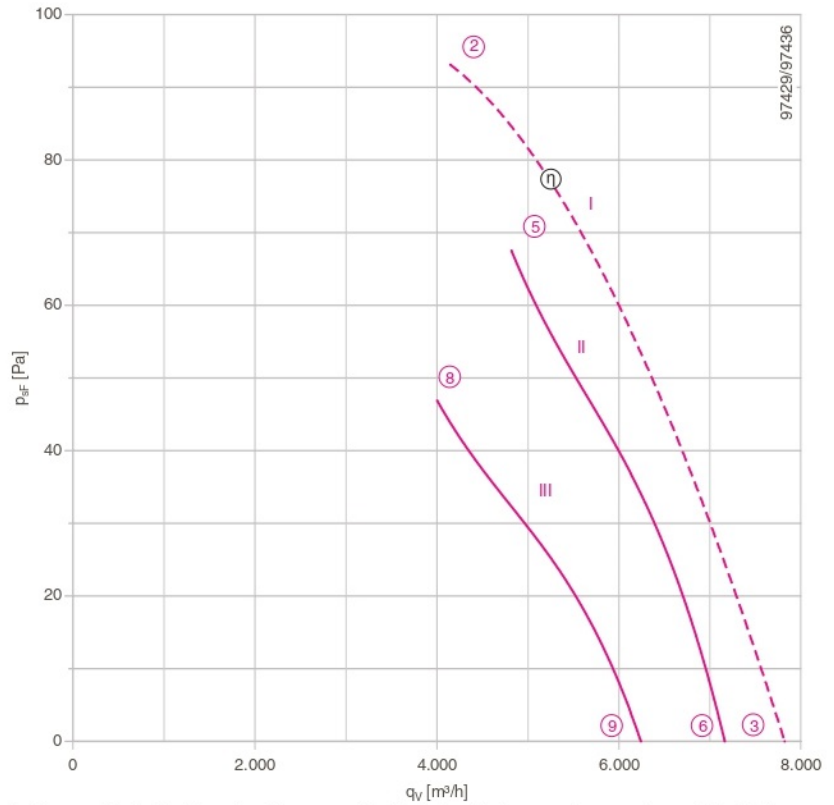
FBO56-SD



### Description

Motor technology: AC  
 Rated voltage  $U_N$ : 3~ 400 V ( $\Delta/Y$ )  $\pm 10\%$ \*  
 Rated frequency  $f_N$ : 50 Hz\*  
 Motor input power  $P_1$ : 0.34/0.25 kW\*  
 Rated current  $I_N$ : 0.64/0.41 A\*  
 Rated speed  $n_N$ : 910/ 750 min<sup>-1</sup>\*  
 Thermal class: THCL155\*  
 Min. permitted conveyor temperature  $t_{R(min)}$ : -40 °C  
 Max. permitted conveyor temperature  $t_{R(max)}$ : 70 °C  
 Electrical connection: Terminal box  
 Number of blades: 4  
 Protection class: IP54  
 Motor protection: Thermal contact  
 Blades: Aluminium, uncoated  
 Rotor: Aluminium, uncoated  
 Conformity: ErP 2015, CE  
**ErP Data**  
 Efficiency  $\eta_{statA}$ : 36.5 %  
 Efficiency:  $N_{actual} = 46.0 / N_{target} = 40$ \*\*  
 \* Rated data  
 \*\*ErP 2015

### Characteristic curve



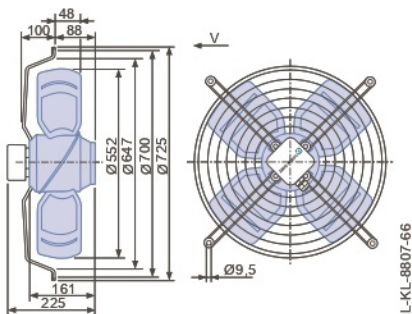
I) Measured in full bell mouth without guard grille in installation type A according to ISO 5801.  
 II-x) Measured in short-bell mouth with compressed side contact protection.

- Connection diagram 1360-108XA Page 608
- System components Page 524

### Dimensions [mm]

Airflow direction A

Design K - axial bolted, mounted for short bell mouth E



### Performance data


Type	Connection	Characteristic curve	Voltage	Operating point	Current	Motor input power	Speed	Suction side sound power level
			U [V]		I [A]	P <sub>1</sub> [W]	n [min <sup>-1</sup> ]	L <sub>WA5</sub> [dB]
FB056-SD_4I.V4P	Δ	I	400*	②	0.64*	340*	910*	76
			400	③	0.52	230	950	74
			400	⑤	0.60	310	920	74
	Y	II	400	⑥	0.54	250	940	73
			400	⑧	0.39	230	770	69
			400	⑨	0.33	200	820	69

\*rated data

### Fan ordering information




**Airflow direction V**

Design K



**Type** FB056-SDK.4I.V4P  
**Article no.** 160149  
**Weight [kg]** 12.10

### Control technology

<p>Frequency inverter Fcontrol 3~</p>  <p>Page 558</p>	<p>Motor protection units 3~</p>  <p>Page 596</p>	<p>Transformer-based controllers 3~</p>  <p>Page 591</p>	<p>Electronic voltage controllers 3~</p>  <p>Page 578</p>
--	---	--	---

**Airflow direction V**

# FB

for three phase alternating current, 8-8 pole

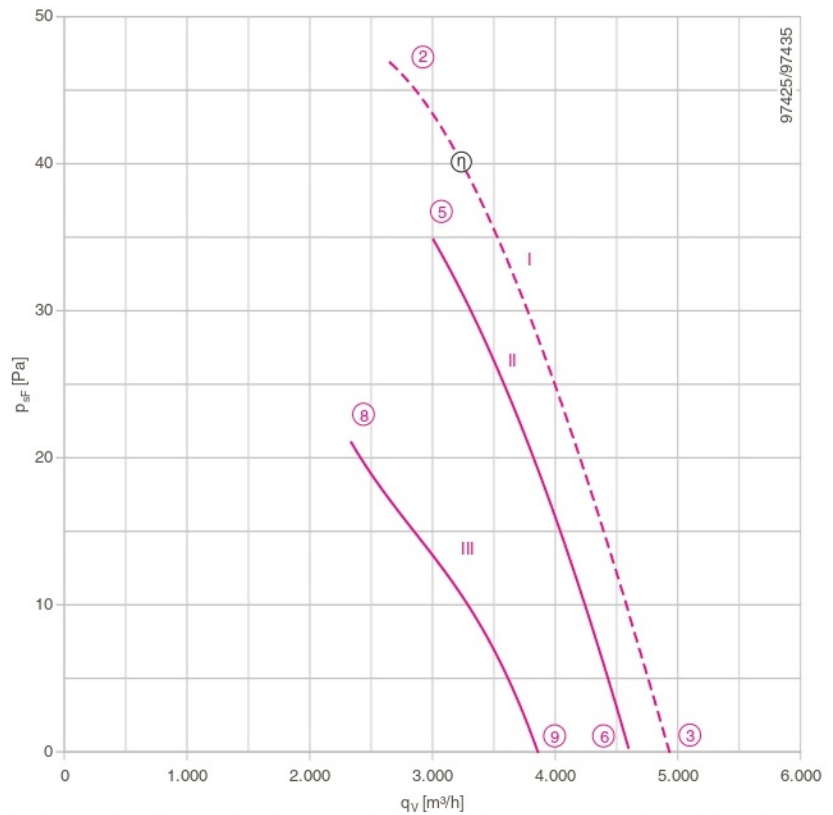
FBO56-AD



## Description

Motor technology: AC  
 Rated voltage  $U_N$ : 3~ 400 V ( $\Delta/Y$ )  $\pm 10\%$ \*  
 Rated frequency  $f_N$ : 50 Hz\*  
 Motor input power  $P_1$ : 0.13/0.08 kW\*  
 Rated current  $I_N$ : 0.29/0.15 A\*  
 Rated speed  $n_N$ : 660/ 500 min<sup>-1</sup>\*  
 Thermal class: THCL155\*  
 Min. permitted conveyor temperature  $t_{R(min)}$ : -40 °C  
 Max. permitted conveyor temperature  $t_{R(max)}$ : 70 °C  
 Electrical connection: Terminal box  
 Number of blades: 4  
 Protection class: IP54  
 Motor protection: Thermal contact  
 Blades: Aluminium, uncoated  
 Rotor: Aluminium, uncoated  
 Conformity: CE  
**ErP Data**  
 Is not subject to the ErP Guidelines ( $P_1 < 125$  W)  
 \* Rated data

## Characteristic curve



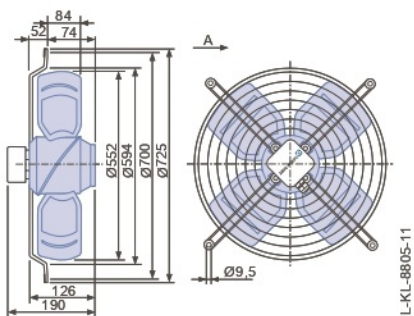
I) Measured in full bell mouth without guard grille in installation type A according to ISO 5801.  
 II-x) Measured in short-bell mouth with compressed side contact protection.

- Connection diagram 1360-108XA Page 608
- System components Page 524

## Dimensions [mm]

Airflow direction A

Design W - axial bolted, mounting for short bell mouth E





Performance data




Type	Connection	Characteristic curve	Voltage	Operating point	Current	Motor input power	Speed	Suction side sound power level $L_{WA5}$ [dB]
			U [V]					
FB056-AD_4C_4L	Δ	I	400*	②	0.30*	130*	660*	67
			400	③	0.26	90	700	65
			400	⑤	0.29	120	670	63
	Y	III	400	⑥	0.27	100	700	61
			400	⑧	0.15	80	520	56
			400	⑨	0.12	65	590	57

\*rated data

Fan ordering information

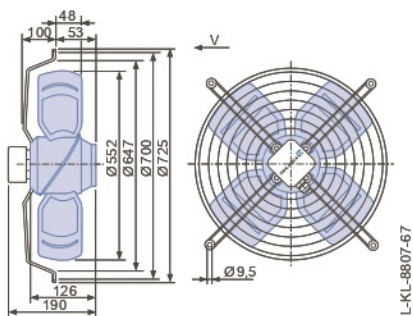
Airflow direction A		Airflow direction V	
Design	W		K
			
Type	FB056-ADW.4C.A4L		FB056-ADK.4C.V4L
Article no.	160141		160143
Weight [kg]	9.00		9.00

Control technology

<p>Frequency inverter Fcontrol 3~</p>  <p>Page 558</p>	<p>Motor protection units 3~</p>  <p>Page 596</p>	<p>Transformer-based controllers 3~</p>  <p>Page 591</p>	<p>Electronic voltage controllers 3~</p>  <p>Page 578</p>
--	---	--	---

Airflow direction V

Design K - axial bolted, mounted for short bell mouth E



# FB

for three phase alternating current, 4 pole

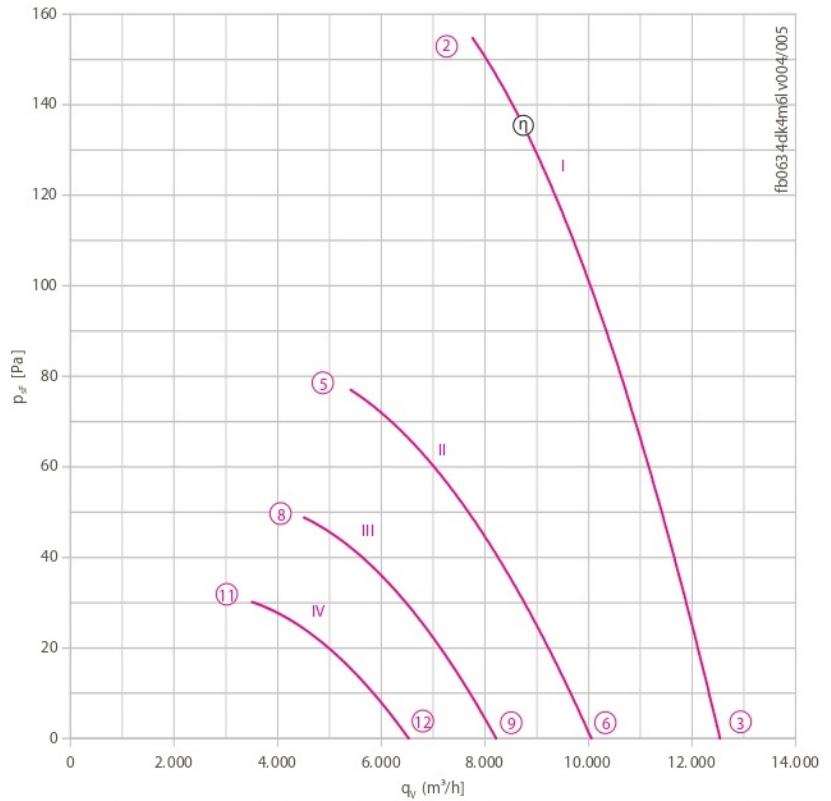
FBO63-4D



### Description

Motor technology: AC  
 Rated voltage  $U_N$ : 3~ 230/400 V ( $\Delta/Y$ )  $\pm 10$  %\*  
 Rated frequency  $f_N$ : 50 Hz\*  
 Motor input power  $P_1$ : 1.10 kW\*  
 Rated current  $I_N$ : 3.80/2.20 A\*  
 Rated speed  $n_N$ : 1300 min<sup>-1</sup>\*  
 Starting current  $I_s$ : 12.00 A / 7.00 A  
 Current increase  $\Delta I$ : 0 %  
 Thermal class: THCL155\*  
 Min. permitted conveyor temperature  $t_{R(min)}$ : -40 °C  
 Max. permitted conveyor temperature  $t_{R(max)}$ : 60 °C  
 Electrical connection: Terminal box  
 Number of blades: 4  
 Protection class: IP54  
 Motor protection: Thermal contact  
 Blades: Aluminium, uncoated  
 Rotor: Aluminium, uncoated  
 Conformity: ErP 2015, CE  
**ErP Data**  
 Efficiency  $\eta_{statA}$ : 38.5 %  
 Efficiency:  $N_{actual} = 44.7 / N_{target} = 40$ \*\*  
 \* Rated data  
 \*\*ErP 2015

### Characteristic curve



I) Measured in short bell mouth with guard grille in installation type A according to ISO 5801. Fan can only be operated in short bell mouth ( $\varnothing$  min. 634 mm, jet height max. 60 mm).

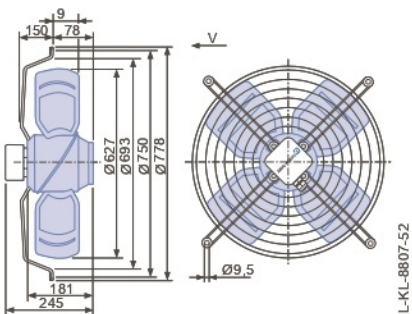
➤ Connection diagram 1360-106XA Page 608

➤ System components Page 524

### Dimensions [mm]



Design K - axial bolted, mounted for short bell mouth E





### Performance data


Type	Characteristic curve	Voltage	Operating point	Current	Motor input power	Speed	Suction side sound power level
		U [V]		I [A]	P <sub>i</sub> [W]	n [min <sup>-1</sup> ]	
FB063-4D_4M.V4L	I	400*	②	2.20*	1100*	1300*	83
		400	③	1.80	790	1380	85
	II	230	⑤	2.10	650	910	74
		230	⑥	1.85	560	1090	80
	III	180	⑧	1.90	450	730	69
		180	⑨	1.70	400	860	74
	IV	140	⑪	1.60	280	570	63
		140	⑫	1.50	270	700	68

\*rated data

### Fan ordering information

**Airflow direction V**





Design K



Type **FB063-4DK.4M.V4L**  
Article no. **135045**

Weight [kg] 17.40

### Control technology

<p>Frequency inverter Fcontrol 3~</p>  <p>➤ Page 558</p>	<p>Motor protection units 3~</p>  <p>➤ Page 596</p>	<p>Transformer-based controllers 3~</p>  <p>➤ Page 591</p>	<p>Electronic voltage controllers 3~</p>  <p>➤ Page 578</p>
---	--	---	--

# FB

for single phase alternating current, 6 pole

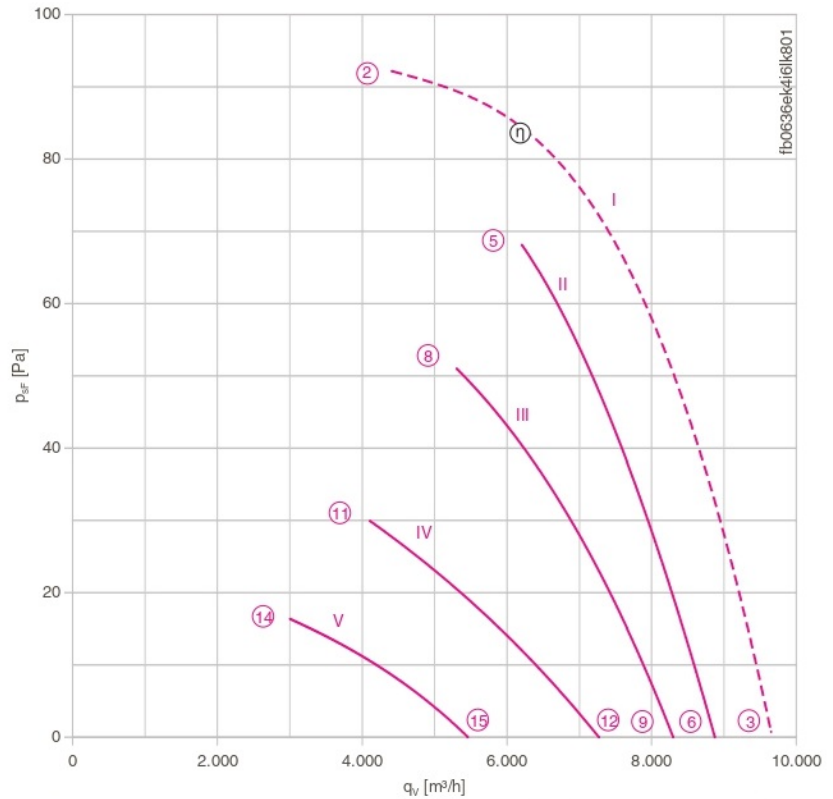
FBO63-6E



## Description

Motor technology: AC  
 Rated voltage  $U_N$ : 1 ~ 230 V ± 10 %\*  
 Rated frequency  $f_N$ : 50 Hz\* (60Hz data available)  
 Motor input power  $P_1$ : 0.47 kW\*  
 Rated current  $I_N$ : 2.30 A\*  
 Rated speed  $n_N$ : 920 min<sup>-1</sup>\*  
 Starting current  $I_s$ : 5.50 A  
 Current increase  $\Delta I$ : 15 %  
 Service capacitor  $C_{400V}$ : 10.0  $\mu$ F  
 Thermal class: THCL155\*  
 Min. permitted conveyor temperature  $t_{R(min)}$ : -25 °C  
 Max. permitted conveyor temperature  $t_{R(max)}$ : 55 °C  
 Electrical connection: Terminal box  
 Number of blades: 4  
 Protection class: IP54  
 Motor protection: Thermal contact  
 Blades: Aluminium, uncoated  
 Rotor: Aluminium, uncoated  
 Conformity: ErP 2015, CE  
**ErP Data**  
 Efficiency  $\eta_{statA}$ : 33.1 %  
 Efficiency:  $N_{actual} = 41.4 / N_{target} = 40$ \*\*  
 \* Rated data  
 \*\*ErP 2015

## Characteristic curve

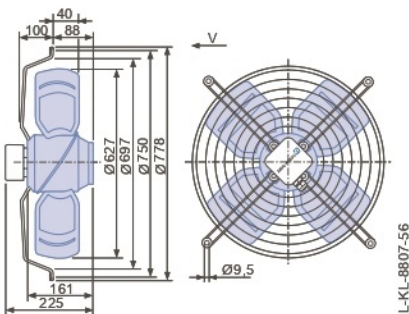


I) Measured in full bell mouth without guard grille in installation type A according to ISO 5801.  
 II-x) Measured in short-bell mouth with compressed side contact protection.

- Connection diagram 1360-104XA Page 608
- System components Page 524

## Dimensions [mm]

← Airflow direction V  
 Design K - axial bolted, mounted for short bell mouth E



Performance data


Type	Characteristic curve	Voltage	Operating point	Current	Motor input power	Speed	Suction side sound power level $L_{WA5}$ [dB]	Max. permitted media temperature $t_{R+}$ [°C]
		U [V]		I [A]	$P_1$ [W]	n [min <sup>-1</sup> ]		
FB063-6E_4I.V4L	I	<b>230*</b>	②	<b>2.40*</b>	<b>520*</b>	<b>910*</b>		55
		230	③	2.10	400	950	76	
	II	230	⑤	2.20	490	930	76	65
		230	⑥	1.95	410	950	74	
	III	160	⑧	2.40	370	800	71	
		160	⑨	1.90	300	880	72	
	IV	130	⑪	2.40	290	610	65	
		130	⑫	2.00	250	770	69	
	V	105	⑭	2.10	200	450	58	
		105	⑮	2.00	190	570	63	

\*rated data

Fan ordering information




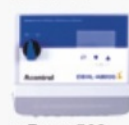
**Airflow direction V**

Design K



Type **FB063-6EK.4I.V4L**  
Article no. **206837**  
Weight [kg] 12.80

Control technology

<p>Frequency inverter Fcontrol 1~</p>  <p>➤ Page 552</p>	<p>Motor protection units 1~</p>  <p>➤ Page 596</p>	<p>Transformer-based controllers 1~</p>  <p>➤ Page 587</p>	<p>Electronic voltage controllers 1~</p>  <p>➤ Page 562</p>
---	--	---	---

# FB

for single phase alternating current, 6 pole

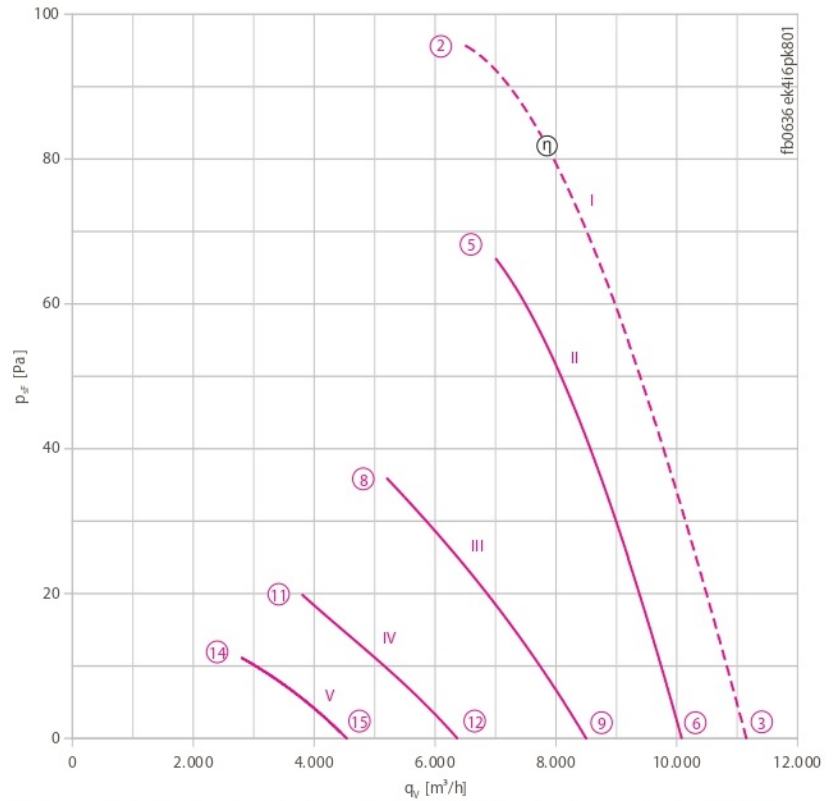
FBO63-6E



### Description

Motor technology: AC  
 Rated voltage  $U_N$ : 1 ~ 230 V  $\pm 10\%$   
 Rated frequency  $f_N$ : 50 Hz\*  
 Motor input power  $P_1$ : 0.63 kW\*  
 Rated current  $I_N$ : 3.00 A\*  
 Rated speed  $n_N$ : 860 min<sup>-1</sup>\*  
 Starting current  $I_s$ : 5.50 A  
 Current increase  $\Delta I$ : 0 %  
 Service capacitor  $C_{400V}$ : 12.0  $\mu F$   
 Thermal class: THCL155\*  
 Min. permitted conveyor temperature  $t_{R(min)}$ : -25 °C  
 Max. permitted conveyor temperature  $t_{R(max)}$ : 40 °C  
 Electrical connection: Terminal box  
 Number of blades: 4  
 Protection class: IP54  
 Motor protection: Thermal contact  
 Blades: Aluminium, uncoated  
 Rotor: Aluminium, uncoated  
 Conformity: ErP 2013, CE  
**ErP Data**  
 Efficiency  $\eta_{statA}$ : 28.3 %  
 Efficiency:  $N_{actual} = 36.1 / N_{target} = 36$ \*\*  
 \* Rated data  
 \*\*ErP 2013

### Characteristic curve



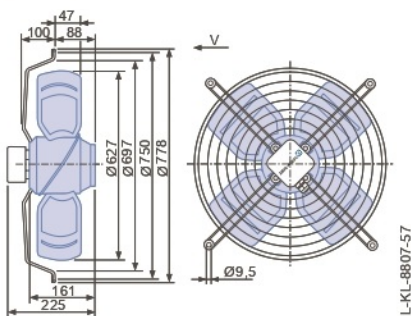
I) Measured in full bell mouth without guard grille in installation type A according to ISO 5801.  
 II-x) Measured in short-bell mouth with compressed side contact protection.

- Connection diagram 1360-104XA Page 608
- System components Page 524

### Dimensions [mm]



Design K - axial bolted, mounted for short bell mouth E



### Performance data


Type	Characteristic curve	Voltage	Operating point	Current	Motor input power	Speed	Suction side sound power level $L_{WAS}$ [dB]	Max. permitted media temperature $t_{R+}$ [°C]
		U [V]		I [A]	$P_1$ [W]	n [min <sup>-1</sup> ]		
FB063-6E_4I.V4P	I	<b>230*</b>	②	<b>3.00*</b>	<b>630*</b>	<b>860*</b>		40
		230	③	2.60	550	910	78	
	II	230	⑤	2.70	590	900	78	50
		230	⑥	2.30	520	930	76	
	III	160	⑧	3.00	450	670	70	
		160	⑨	2.70	410	780	72	
	IV	130	⑪	2.70	320	490	61	
		130	⑫	2.60	310	580	64	
	V	105	⑭	2.30	210	370	54	
		105	⑮	2.30	210	410	55	

\*rated data

### Fan ordering information





**Airflow direction V**

Design K



Type **FB063-6EK.4I.V4P**  
Article no. **109104**  
Weight [kg] 12.80

### Control technology

<p>Frequency inverter Fcontrol 1~</p>  <p>➤ Page 552</p>	<p>Motor protection units 1~</p>  <p>➤ Page 596</p>	<p>Transformer-based controllers 1~</p>  <p>➤ Page 587</p>	<p>Electronic voltage controllers 1~</p>  <p>➤ Page 562</p>
---	--	---	---



# FB

for single phase alternating current, 8 pole

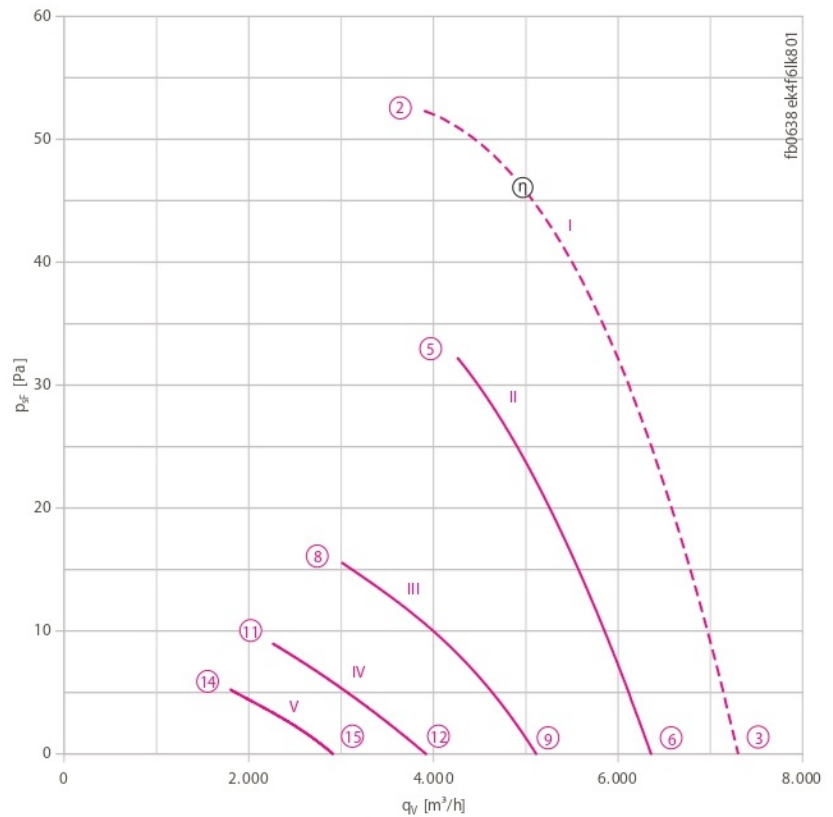
FBO63-8E



## Description

Motor technology: AC  
 Rated voltage  $U_N$ : 1 ~ 230 V ± 10 %\*  
 Rated frequency  $f_N$ : 50 Hz\* (60Hz data available)  
 Motor input power  $P_1$ : 0.25 kW\*  
 Rated current  $I_N$ : 1.15 A\*  
 Rated speed  $n_N$ : 650 min<sup>-1</sup>\*  
 Starting current  $I_s$ : 1.85 A  
 Current increase  $\Delta I$ : 0 %  
 Service capacitor  $C_{400V}$ : 5.0  $\mu$ F  
 Thermal class: **THCL155\***  
 Min. permitted conveyor temperature  $t_{R(min)}$ : -25 °C  
 Max. permitted conveyor temperature  $t_{R(max)}$ : 70 °C  
 Electrical connection: Terminal box  
 Number of blades: 4  
 Protection class: IP54  
 Motor protection: Thermal contact  
 Blades: Aluminium, uncoated  
 Rotor: Aluminium, uncoated  
 \* Rated data

## Characteristic curve

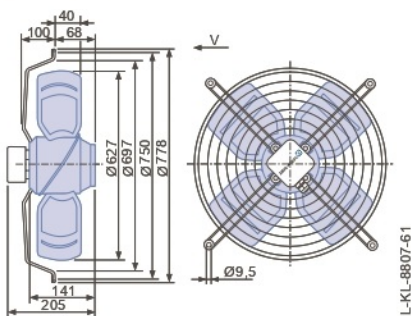


I) Measured in full bell mouth without guard grille in installation type A according to ISO 5801.  
 II-x) Measured in short-bell mouth with compressed side contact protection.

- Connection diagram 1360-104XA Page 608
- System components Page 524

## Dimensions [mm]

← Airflow direction V  
 Design K - axial bolted, mounted for short bell mouth E



### Performance data


Type	Characteristic curve	Voltage	Operating point	Current	Motor input power	Speed	Suction side sound power level $L_{WAS}$ [dB]
		U [V]		I [A]	$P_1$ [W]	n [min <sup>-1</sup> ]	
FB063-8E_4F.V4L	I	<b>230*</b>	②	<b>1.15*</b>	<b>250*</b>	<b>650*</b>	
		230	③	0.92	190	700	67
	II	230	⑤	1.10	230	620	66
		230	⑥	0.97	195	660	65
	III	160	⑧	0.94	130	430	58
		160	⑨	0.86	125	530	60
	IV	130	⑪	0.81	90	330	55
		130	⑫	0.78	87	410	53
	V	105	⑭	0.67	60	250	53
		105	⑮	0.66	59	310	46

\*rated data

### Fan ordering information

**Airflow direction V**





Design K



Type **FB063-8EK.4F.V4L**  
Article no. **124172**

Weight [kg] 11.10

### Control technology

<p>Frequency inverter Fcontrol 1~</p>  <p>➤ Page 552</p>	<p>Motor protection units 1~</p>  <p>➤ Page 596</p>	<p>Transformer-based controllers 1~</p>  <p>➤ Page 587</p>	<p>Electronic voltage controllers 1~</p>  <p>➤ Page 562</p>
---	--	---	--

# FB

for single phase alternating current, 8 pole

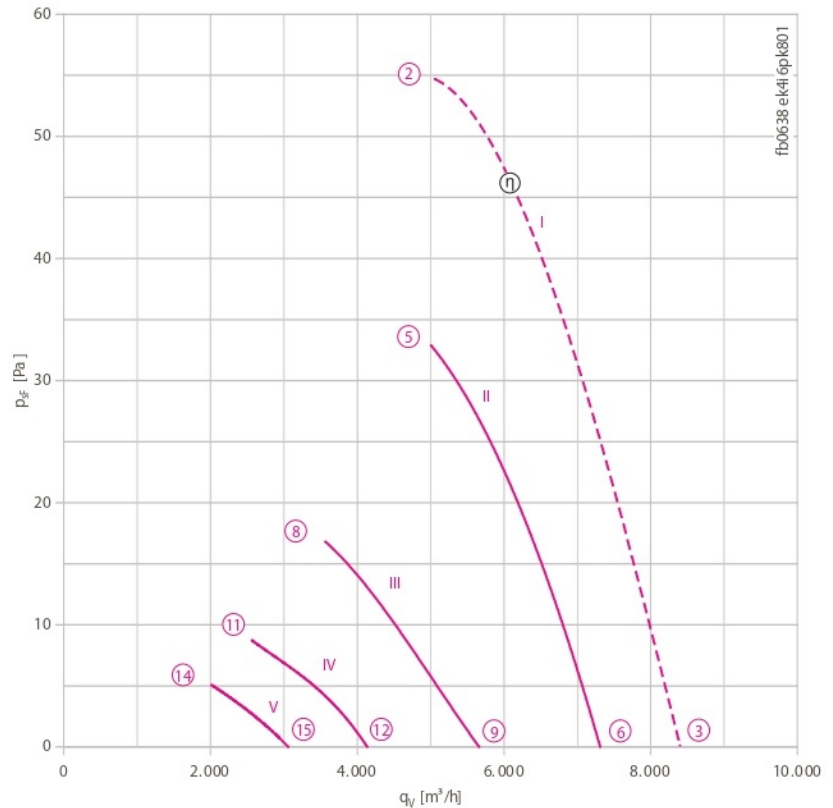
FBO63-8E



## Description

Motor technology: AC  
 Rated voltage  $U_N$ : 1 ~ 230 V ± 10 %\*  
 Rated frequency  $f_N$ : 50 Hz\* (60Hz data available)  
 Motor input power  $P_1$ : 0.31 kW\*  
 Rated current  $I_N$ : 1.55 A\*  
 Rated speed  $n_N$ : 650 min<sup>-1</sup>\*  
 Starting current  $I_s$ : 2.20 A  
 Current increase  $\Delta I$ : 5 %  
 Service capacitor  $C_{400V}$ : 6.0  $\mu$ F  
 Thermal class: **THCL155\***  
 Min. permitted conveyor temperature  $t_{R(min)}$ : -25 °C  
 Max. permitted conveyor temperature  $t_{R(max)}$ : 70 °C  
 Electrical connection: Terminal box  
 Number of blades: 4  
 Protection class: IP54  
 Motor protection: Thermal contact  
 Blades: Aluminium, uncoated  
 Rotor: Aluminium, uncoated  
 \* Rated data

## Characteristic curve



I) Measured in full bell mouth without guard grille in installation type A according to ISO 5801.  
 II-x) Measured in short-bell mouth with compressed side contact protection.

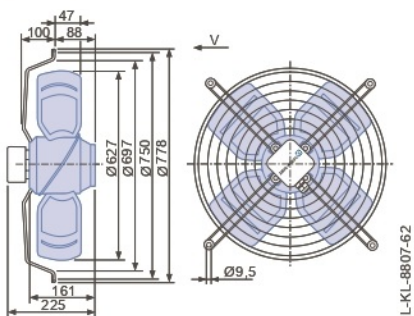
➤ Connection diagram 1360-104XA Page 608

➤ System components Page 524

## Dimensions [mm]



Design K - axial bolted, mounted for short bell mouth E



### Performance data


Type	Characteristic curve	Voltage	Operating point	Current	Motor input power	Speed	Suction side sound power level $L_{WAS}$ [dB]
		U [V]		I [A]	$P_1$ [W]	n [min <sup>-1</sup> ]	
FB063-8E_4I.V4P	I	230*	②	1.55*	310*	650*	71
		230	③	1.30	250	690	
	II	230	⑤	1.50	290	640	71
		230	⑥	1.35	260	660	67
	III	160	⑧	1.40	190	450	63
		160	⑨	1.30	180	510	61
	IV	130	⑪	1.25	135	330	53
		130	⑫	1.20	130	380	61
	V	105	⑭	1.05	87	250	
		105	⑮	1.00	86	280	

\*rated data

### Fan ordering information

**Airflow direction V**





Design K



Type **FB063-8EK.4I.V4P**  
Article no. **108187**

Weight [kg] 12.80

### Control technology

<p>Frequency inverter Fcontrol 1~</p>  <p>➤ Page 552</p>	<p>Motor protection units 1~</p>  <p>➤ Page 596</p>	<p>Transformer-based controllers 1~</p>  <p>➤ Page 587</p>	<p>Electronic voltage controllers 1~</p>  <p>➤ Page 562</p>
---	--	---	--

# FB

for single phase alternating current, 8 pole

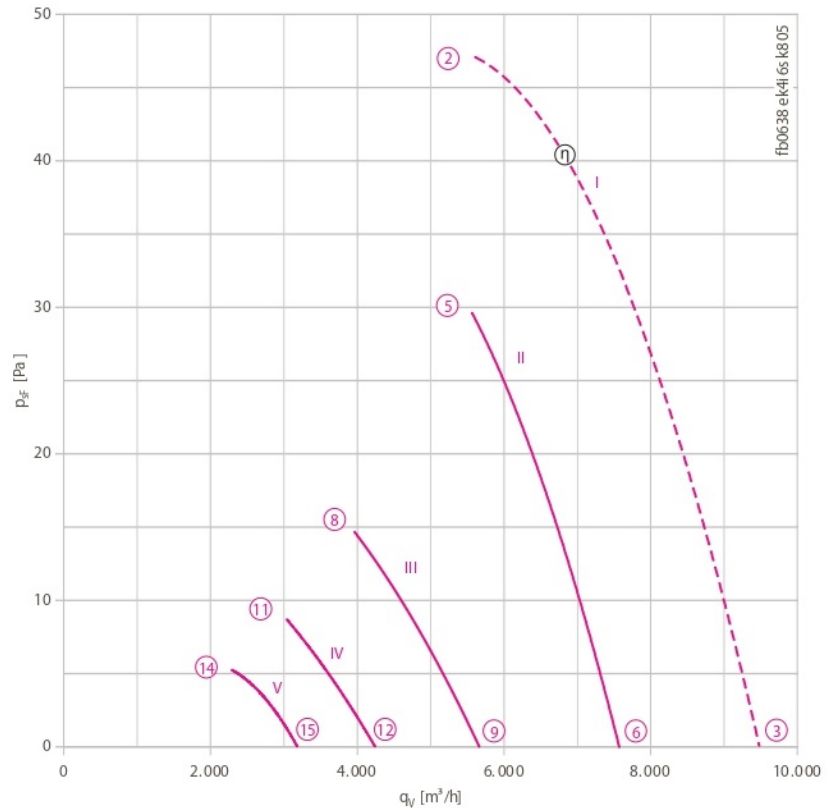
FBO63-8E



## Description

Motor technology: AC  
 Rated voltage  $U_N$ : 1 ~ 230 V  $\pm 10\%$ \*  
 Rated frequency  $f_N$ : 50 Hz\*  
 Motor input power  $P_1$ : 0.36 kW\*  
 Rated current  $I_N$ : 1.70 A\*  
 Rated speed  $n_N$ : 600 min<sup>-1</sup>\*  
 Starting current  $I_s$ : 2.40 A  
 Current increase  $\Delta I$ : 0 %  
 Service capacitor  $C_{400V}$ : 8.0  $\mu F$   
 Thermal class: **THCL155\***  
 Min. permitted conveyor temperature  $t_{R(min)}$ : -25 °C  
 Max. permitted conveyor temperature  $t_{R(max)}$ : 60 °C  
 Electrical connection: Terminal box  
 Number of blades: 4  
 Protection class: IP54  
 Motor protection: Thermal contact  
 Blades: Aluminium, uncoated  
 Rotor: Aluminium, uncoated  
 \* Rated data

## Characteristic curve



I) Measured in full bell mouth without guard grille in installation type A according to ISO 5801.  
 II-x) Measured in short-bell mouth with compressed side contact protection.

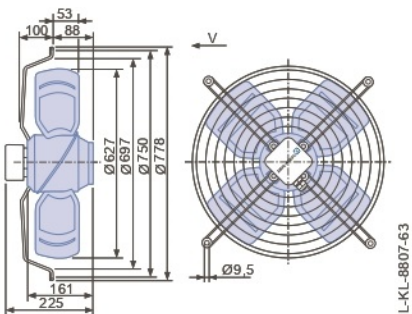
➤ Connection diagram 1360-104XA Page 608

➤ System components Page 524

## Dimensions [mm]



Design K - axial bolted, mounted for short bell mouth E





Performance data


Type	Characteristic curve	Voltage	Operating point	Current	Motor input power	Speed	Suction side sound power level $L_{WA5}$ [dB]	Max. permitted media temperature $t_{R+}$ [°C]
		U [V]		I [A]	$P_1$ [W]	n [min <sup>-1</sup> ]		
FB063-8E_4I.V4S	I	<b>230*</b>	②	<b>1.70*</b>	<b>360*</b>	<b>600*</b>		60
		230	③	1.55	330	630	73	
		230	⑤	1.60	340	620	69	
	II	230	⑥	1.50	320	640	69	65
		160	⑧	1.45	210	430	60	
	III	160	⑨	1.40	200	480	63	
		130	⑪	1.30	145	340	55	
	IV	130	⑫	1.25	140	360	56	
		105	⑭	1.05	92	250		
	V	105	⑮	1.00	91	270		

\*rated data

Fan ordering information




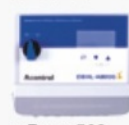
**Airflow direction V**

Design K



Type **FB063-8EK.4I.V4S**  
Article no. **124173**  
Weight [kg] 12.80

Control technology

<p>Frequency inverter Fcontrol 1~</p>  <p>➤ Page 552</p>	<p>Motor protection units 1~</p>  <p>➤ Page 596</p>	<p>Transformer-based controllers 1~</p>  <p>➤ Page 587</p>	<p>Electronic voltage controllers 1~</p>  <p>➤ Page 562</p>
---	--	---	---

# FB

for three phase alternating current, 4-4 pole

FB063-VD

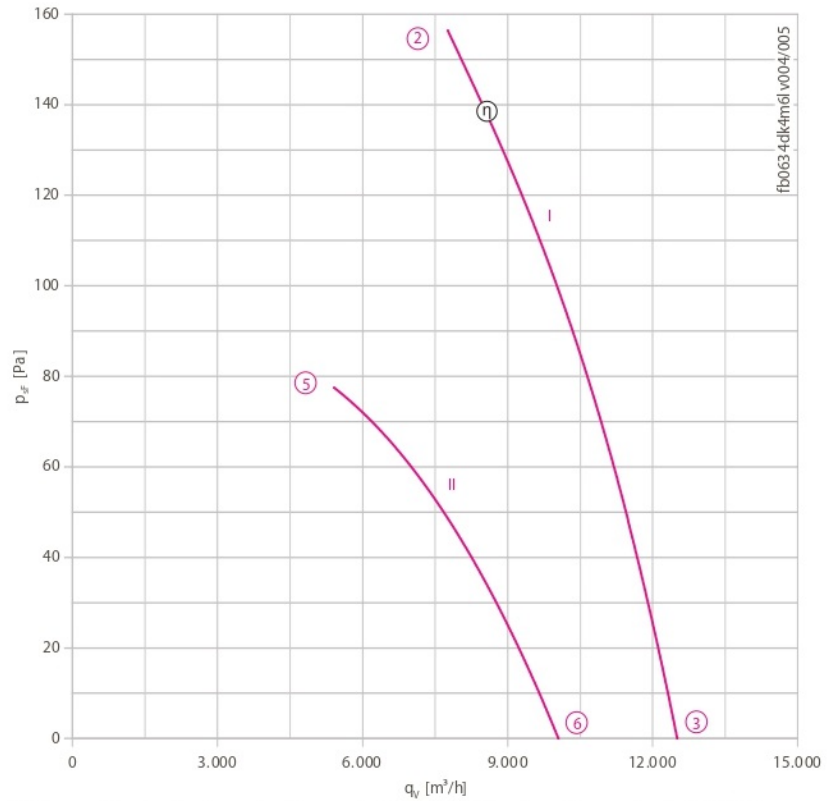


## Description

Motor technology: AC  
 Rated voltage  $U_N$ : 3~ 400 V ( $\Delta/Y$ )  $\pm 10\%$ \*  
 Rated frequency  $f_N$ : 50 Hz\*  
 Motor input power  $P_1$ : 1.10/0.65 kW\*  
 Rated current  $I_N$ : 2.20/1.25 A\*  
 Rated speed  $n_N$ : 1300/ 910 min<sup>-1</sup>\*  
 Starting current  $I_s$ : 7.00 A / 2.40 A  
 Current increase  $\Delta I$ : 0 %  
 Thermal class: **THCL155**\*  
 Min. permitted conveyor temperature  $t_{R(min)}$ : -40 °C  
 Max. permitted conveyor temperature  $t_{R(max)}$ : 60 °C  
 Electrical connection: Terminal box  
 Number of blades: 4  
 Protection class: IP54  
 Motor protection: Thermal contact  
 Blades: Aluminium, uncoated  
 Rotor: Aluminium, uncoated  
 Conformity: ErP 2015, CE

**ErP Data**  
 Efficiency  $\eta_{statA}$ : 38.5 %  
 Efficiency:  $N_{actual} = 44.7 / N_{target} = 40$ \*\*  
 \* Rated data  
 \*\*ErP 2015

## Characteristic curve

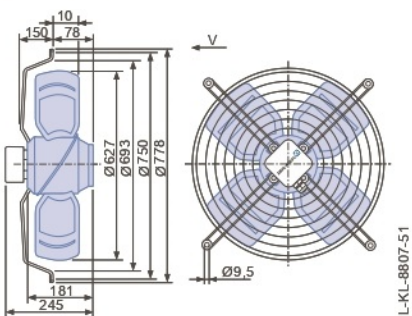


I) Measured in short bell mouth with guard grille in installation type A according to ISO 5801.  
 II-x) Measured in short-bell mouth with compressed side contact protection.

- Connection diagram 1360-108XA Page 608
- System components Page 524

## Dimensions [mm]

← Airflow direction V  
 Design K - axial bolted, mounted for short bell mouth E



Performance data

Type	Connection	Characteristic curve	Voltage	Operating point	Current	Motor input power	Speed	Suction side sound power level
			U [V]		I [A]	P <sub>1</sub> [W]	n [min <sup>-1</sup> ]	L <sub>WA5</sub> [dB]
FB063-VD_4M.V4L	Δ	I	400*	②	2.20*	1100*	1300*	83
			400	③	1.80	790	1380	85
	Y	II	400*	⑤	1.25*	650*	910*	74
			400	⑥	1.10	570	1090	80

\*rated data

Fan ordering information



Design K



Type **FB063-VDK.4M.V4L**

Article no. **135044**

Weight [kg] 17.40

Control technology

Frequency inverter  
Fcontrol 3~



➤ Page 558

Motor protection units  
3~



➤ Page 596

Transformer-based  
controllers 3~



➤ Page 591

Electronic voltage  
controllers 3~



➤ Page 578

# FB

for three phase alternating current, 6-6 pole

FBO63-SD

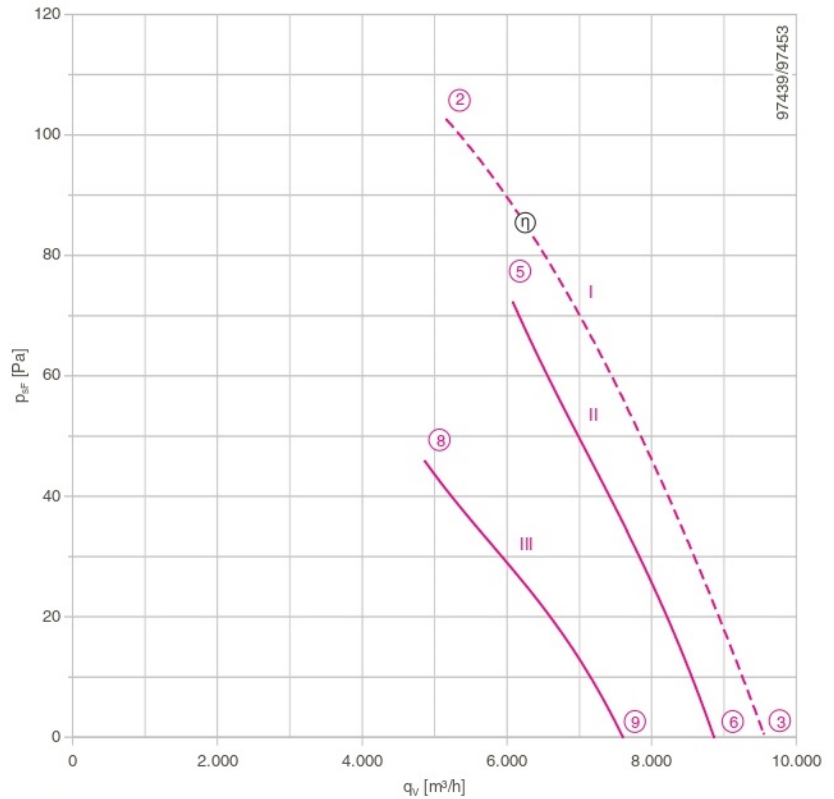


## Description

Motor technology: AC  
 Rated voltage  $U_N$ : 3~ 400 V ( $\Delta/Y$ )  $\pm 10$  %\*  
 Rated frequency  $f_N$ : 50 Hz\* (60Hz data available)  
 Motor input power  $P_1$ : 0.42/0.30 kW\*  
 Rated current  $I_N$ : 0.78/0.50 A\*  
 Rated speed  $n_N$ : 900/ 710 min<sup>-1</sup>\*  
 Starting current  $I_s$ : 2.80 A / 0.90 A  
 Current increase  $\Delta I$ : 10 %  
 Thermal class: **THCL155\***  
 Min. permitted conveyor temperature  $t_{R(min)}$ : -40 °C  
 Max. permitted conveyor temperature  $t_{R(max)}$ : 70 °C  
 Electrical connection: Terminal box  
 Number of blades: 4  
 Protection class: IP54  
 Motor protection: Thermal contact  
 Blades: Aluminium, uncoated  
 Rotor: Aluminium, uncoated  
 Conformity: ErP 2015, CE

**ErP Data**  
 Efficiency  $\eta_{statA}$ : 38.4 %  
 Efficiency:  $N_{actual} = 47.3 / N_{target} = 40$ \*\*  
 \* Rated data  
 \*\*ErP 2015

## Characteristic curve



I) Measured in full bell mouth without guard grille in installation type A according to ISO 5801.  
 II-x) Measured in short-bell mouth with compressed side contact protection.

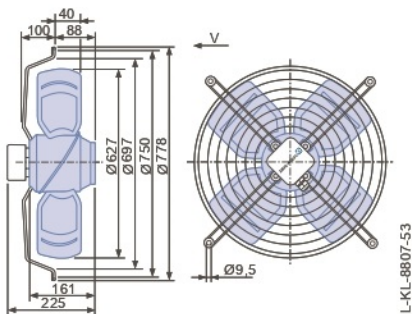
➤ Connection diagram 1360-108XA Page 608

➤ System components Page 524

## Dimensions [mm]



Design K - axial bolted, mounted for short bell mouth E



Performance data


Type	Connection	Characteristic curve	Voltage	Operating point	Current	Motor input power	Speed	Suction side sound power level
			U [V]		I [A]	P <sub>1</sub> [W]	n [min <sup>-1</sup> ]	L <sub>WA5</sub> [dB]
FB063-SD_4I.V4L	Δ	I	400*	②	0.78*	420*	900*	78
			400	③	0.60	260	940	76
			400	⑤	0.74	390	910	74
	Y	II	400	⑥	0.64	300	940	72
			400	⑧	0.48	290	730	70
			400	⑨	0.39	230	800	68

\*rated data

Fan ordering information



← Airflow direction V

Design K



Type **FB063-SDK.4I.V4L**  
 Article no. **124168**  
 Weight [kg] 12.80

Control technology

<p>Frequency inverter Fcontrol 3~</p>  <p>➤ Page 558</p>	<p>Motor protection units 3~</p>  <p>➤ Page 596</p>	<p>Transformer-based controllers 3~</p>  <p>➤ Page 591</p>	<p>Electronic voltage controllers 3~</p>  <p>➤ Page 578</p>
--	---	--	---



# FB

for three phase alternating current, 6-6 pole

FBO63-SD

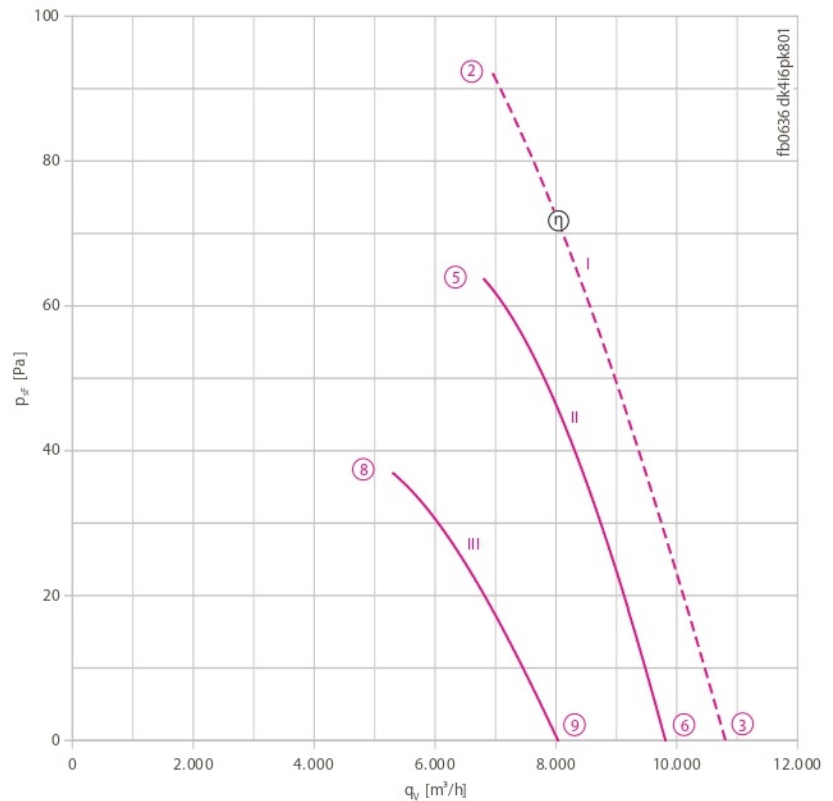


## Description

Motor technology: AC  
 Rated voltage  $U_N$ : 3~ 400 V ( $\Delta/Y$ )  $\pm 10$  %\*  
 Rated frequency  $f_N$ : 50 Hz\* (60Hz data available)  
 Motor input power  $P_1$ : 0.48/0.32 kW\*  
 Rated current  $I_N$ : 0.93/0.51 A\*  
 Rated speed  $n_N$ : 870/ 680 min<sup>-1</sup>\*  
 Starting current  $I_s$ : 2.80 A / 0.90 A  
 Current increase  $\Delta I$ : 0 %  
 Thermal class: THCL155\*  
 Min. permitted conveyor temperature  $t_{R(min)}$ : -40 °C  
 Max. permitted conveyor temperature  $t_{R(max)}$ : 70 °C  
 Electrical connection: Terminal box  
 Number of blades: 4  
 Protection class: IP54  
 Motor protection: Thermal contact  
 Blades: Aluminium, uncoated  
 Rotor: Aluminium, uncoated  
 Conformity: ErP 2015, CE

**ErP Data**  
 Efficiency  $\eta_{statA}$ : 30.5 %  
 Efficiency:  $N_{actual} = 40.5 / N_{target} = 40$ \*\*  
 Frequency inverter required  
 \* Rated data  
 \*\*ErP 2015

## Characteristic curve



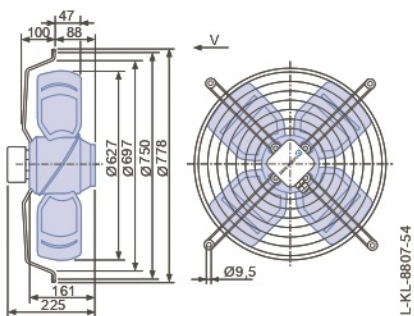
I) Measured in full bell mouth without guard grille in installation type A according to ISO 5801.  
 II-x) Measured in short-bell mouth with compressed side contact protection.

- Connection diagram      1360-108XA      Page 608
- System components                              Page 524

## Dimensions [mm]

← Airflow direction V

Design K - axial bolted, mounted for short bell mouth E



Performance data


Type	Connection	Characteristic curve	Voltage	Operating point	Current	Motor input power	Speed	Suction side sound power level
			U [V]		I [A]	P <sub>1</sub> [W]	n [min <sup>-1</sup> ]	L <sub>WA5</sub> [dB]
FB063-SD_4I.V4P	Δ	I	400*	②	0.93*	480*	870*	
			400	③	0.85	380	910	78
			400	⑤	0.89	500	890	77
	Y	III	400	⑥	0.79	420	910	76
			400	⑧	0.57	350	680	69
			400	⑨	0.52	320	730	70

\*rated data

Fan ordering information




← Airflow direction V

Design K



**Type** FB063-SDK.4I.V4P  
**Article no.** 124169  
**Weight [kg]** 12.80

Control technology

<p>Frequency inverter Fcontrol 3~</p>  <p>➤ Page 558</p>	<p>Motor protection units 3~</p>  <p>➤ Page 596</p>	<p>Transformer-based controllers 3~</p>  <p>➤ Page 591</p>	<p>Electronic voltage controllers 3~</p>  <p>➤ Page 578</p>
--	---	--	---

# FB

for three phase alternating current, 6-6 pole

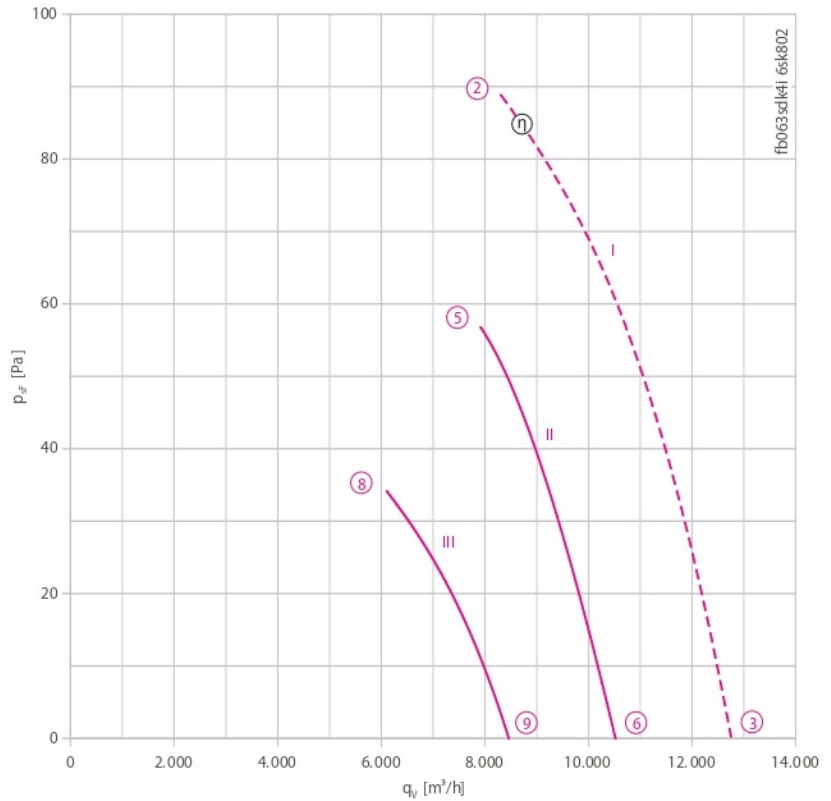
FBO63-SD



## Description

Motor technology: AC  
 Rated voltage  $U_N$ : 3~ 400 V ( $\Delta/Y$ )  $\pm 10$  %\*  
 Rated frequency  $f_N$ : 50 Hz\* (60Hz data available)  
 Motor input power  $P_1$ : 0.72/0.47 kW\*  
 Rated current  $I_N$ : 1.40/0.79 A\*  
 Rated speed  $n_N$ : 870/ 650 min<sup>-1</sup>\*  
 Starting current  $I_s$ : 4.40 A / 1.40 A  
 Current increase  $\Delta I$ : 5 %  
 Thermal class: THCL155\*  
 Min. permitted conveyor temperature  $t_{R(min)}$ : -40 °C  
 Max. permitted conveyor temperature  $t_{R(max)}$ : 55 °C  
 Electrical connection: Terminal box  
 Number of blades: 4  
 Protection class: IP54  
 Motor protection: Thermal contact  
 Blades: Aluminium, uncoated  
 Rotor: Aluminium, uncoated  
 Conformity: ErP 2013, CE  
**ErP Data**  
 Efficiency  $\eta_{statA}$ : 28.7 %  
 Efficiency:  $N_{actual} = 36.1 / N_{target} = 36$ \*\*  
 \* Rated data  
 \*\*ErP 2013

## Characteristic curve



I) Measured in full bell mouth without guard grille in installation type A according to ISO 5801.  
 II-x) Measured in short-bell mouth with compressed side contact protection.

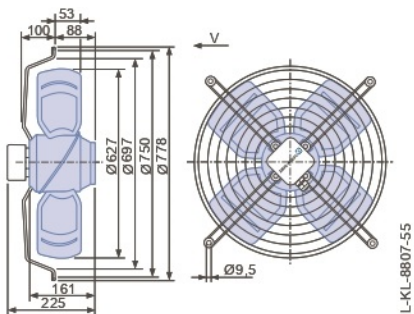
➤ Connection diagram 1360-108XA Page 608

➤ System components Page 524

## Dimensions [mm]

← Airflow direction V

Design K - axial bolted, mounted for short bell mouth E



### Performance data

Type	Connection	Characteristic curve	Voltage	Operating point	Current	Motor input power	Speed	Suction side sound power level	Max. permitted media temperature
			U [V]						
FB063-SD_4I.V4S	Δ	I	400*	②	1.40*	720*	870*		55
			400	③	1.30	550	910	83	
		II	400	⑤	1.25	670	890	78	65
	400		⑥	1.15	610	910	78		
	Y	III	400	⑧	0.77	470	680	70	
			400	⑨	0.72	440	720	73	

\*rated data

### Fan ordering information



Design K



Type **FB063-SDK.4I.V4S**

Article no. **210548**

Weight [kg] 12.80

### Control technology

Frequency inverter  
Fcontrol 3~



Page 558

Motor protection units  
3~



Page 596

Transformer-based  
controllers 3~



Page 591

Electronic voltage  
controllers 3~



Page 578

# FB

for three phase alternating current, 8-8 pole

FBO63-AD



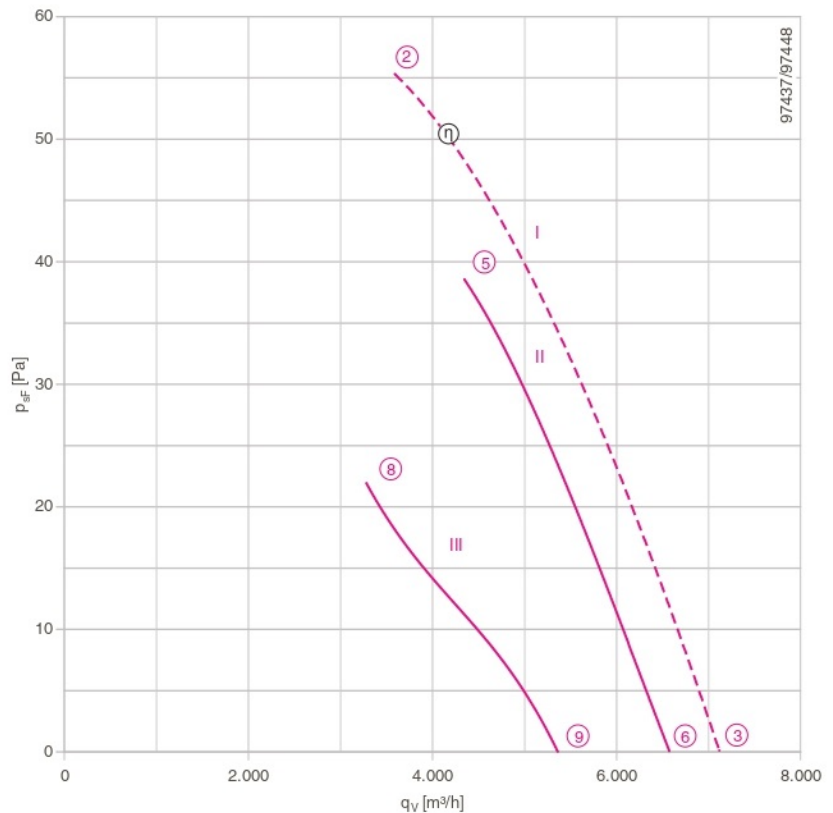
## Description

Motor technology: AC  
 Rated voltage  $U_N$ : 3~ 400 V ( $\Delta/Y$ )  $\pm 10$  %\*  
 Rated frequency  $f_N$ : 50 Hz\* (60Hz data available)  
 Motor input power  $P_1$ : 0.22/0.12 kW\*  
 Rated current  $I_N$ : 0.57/0.27 A\*  
 Rated speed  $n_N$ : 650/ 470 min<sup>-1</sup>\*  
 Starting current  $I_s$ : 1.20 A / 0.36 A  
 Current increase  $\Delta I$ : 0 %  
 Thermal class: THCL155\*  
 Min. permitted conveyor temperature  $t_{R(min)}$ : -40 °C  
 Max. permitted conveyor temperature  $t_{R(max)}$ : 70 °C  
 Electrical connection: Terminal box  
 Number of blades: 4  
 Protection class: IP54  
 Motor protection: Thermal contact  
 Blades: Aluminium, uncoated  
 Rotor: Aluminium, uncoated  
 Conformity: ErP 2015, CE

## ErP Data

Efficiency  $\eta_{statA}$ : 28.1 %  
 Efficiency:  $N_{actual} = 40.6 / N_{target} = 40$ \*\*  
 Frequency inverter required  
 \* Rated data  
 \*\*ErP 2015

## Characteristic curve



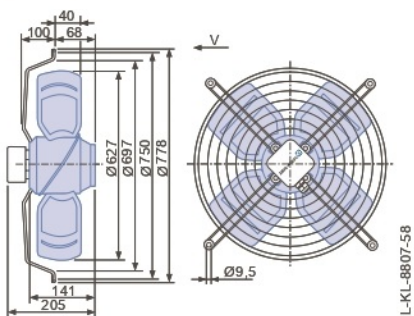
I) Measured in full bell mouth without guard grille in installation type A according to ISO 5801.  
 II-x) Measured in short-bell mouth with compressed side contact protection.

- Connection diagram 1360-108XA Page 608
- System components Page 524

## Dimensions [mm]



Design K - axial bolted, mounted for short bell mouth E





### Performance data

Type	Connection	Characteristic curve	Voltage	Operating point	Current	Motor input power	Speed	Suction side sound power level $L_{WA5}$ [dB]
			U [V]		I [A]	$P_1$ [W]	n [min <sup>-1</sup> ]	
FB063-AD_4F.V4L	Δ	I	400*	②	0.54*	220*	670*	
			400	③	0.48	155	700	67
		400	⑤	0.51	200	640	65	
	Y	II	400	⑥	0.48	170	670	64
			400	⑧	0.24	115	450	59
		400	⑨	0.21	100	540	59	

\*rated data

### Fan ordering information



Design K



Type **FB063-ADK.4F.V4L**

Article no. **124171**

Weight [kg] 11.10

### Control technology

Frequency inverter  
Fcontrol 3~



➤ Page 558

Motor protection units  
3~



➤ Page 596

Transformer-based  
controllers 3~



➤ Page 591

Electronic voltage  
controllers 3~



➤ Page 578

# FB

for three phase alternating current, 8-8 pole

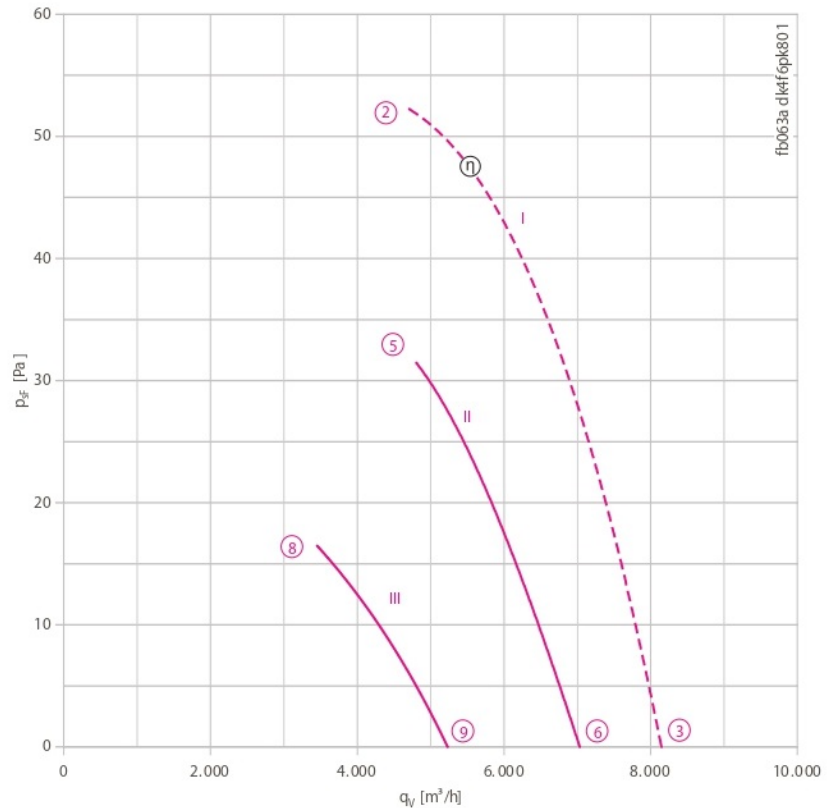
FBO63-AD



## Description

Motor technology: AC  
 Rated voltage  $U_N$ : 3~ 400 V ( $\Delta/Y$ )  $\pm 10$  %\*  
 Rated frequency  $f_N$ : 50 Hz\* (60Hz data available)  
 Motor input power  $P_1$ : 0.26/0.16 kW\*  
 Rated current  $I_N$ : 0.59/0.30 A\*  
 Rated speed  $n_N$ : 640/ 470 min<sup>-1</sup>\*  
 Starting current  $I_s$ : 1.20 A / 0.36 A  
 Current increase  $\Delta I$ : 0 %  
 Thermal class: THCL155\*  
 Min. permitted conveyor temperature  $t_{R(min)}$ : -40 °C  
 Max. permitted conveyor temperature  $t_{R(max)}$ : 70 °C  
 Electrical connection: Terminal box  
 Number of blades: 4  
 Protection class: IP54  
 Motor protection: Thermal contact  
 Blades: Aluminium, uncoated  
 Rotor: Aluminium, uncoated  
 \* Rated data

## Characteristic curve



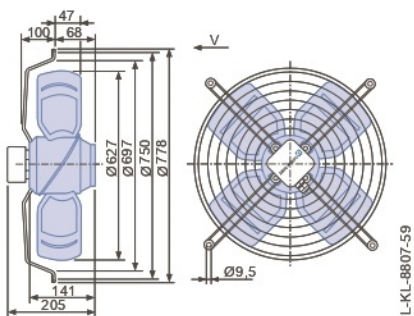
I) Measured in full bell mouth without guard grille in installation type A according to ISO 5801.  
 II-x) Measured in short-bell mouth with compressed side contact protection.

- Connection diagram 1360-108XA Page 608
- System components Page 524

## Dimensions [mm]



Design K - axial bolted, mounted for short bell mouth E



Performance data


Type	Connection	Characteristic curve	Voltage	Operating point	Current	Motor input power	Speed	Suction side sound power level $L_{WA5}$ [dB]
			U [V]					
FB063-AD_4F.V4P	Δ	I	400*	②	0.59*	260*	640*	
			400	③	0.51	190	680	70
		II	400	⑤	0.61	250	630	69
	Y	III	400	⑥	0.59	220	650	67
			400	⑧	0.28	130	440	60
		400	⑨	0.27	125	490	59	

\*rated data

Fan ordering information




← Airflow direction V

Design K



**Type** FB063-ADK.4F.V4P  
**Article no.** 209100  
**Weight [kg]** 11.10

Control technology

<p>Frequency inverter Fcontrol 3~</p>  <p>➤ Page 558</p>	<p>Motor protection units 3~</p>  <p>➤ Page 596</p>	<p>Transformer-based controllers 3~</p>  <p>➤ Page 591</p>	<p>Electronic voltage controllers 3~</p>  <p>➤ Page 578</p>
--	---	--	---

Information

FE2owlet  
ECblue

FE2owlet

FB

FC

System  
components

Control  
technology

Appendix

# FB

for three phase alternating current, 8-8 pole

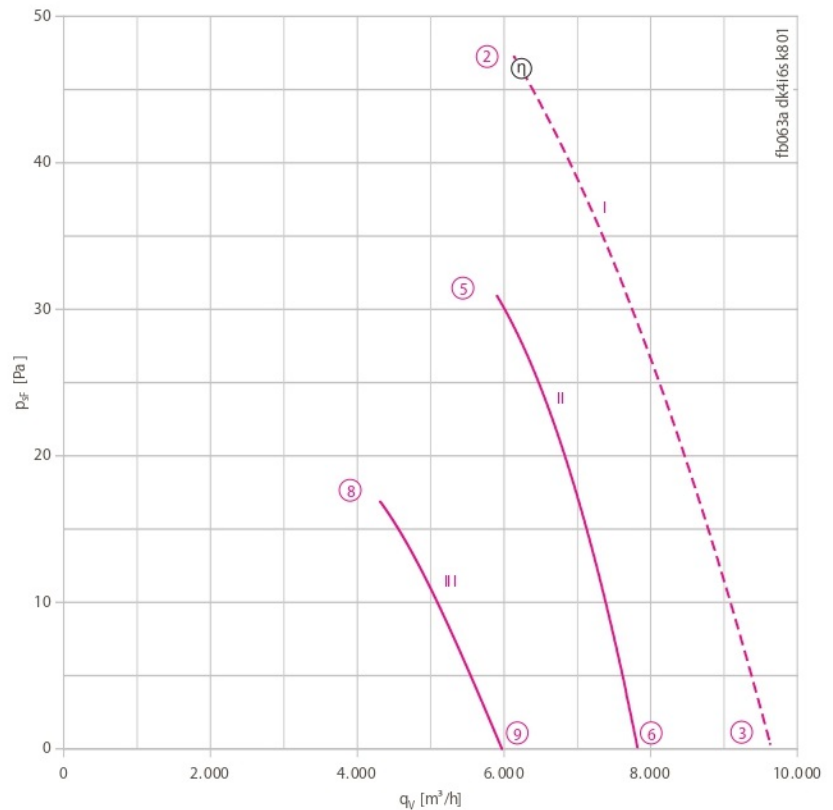
FBO63-AD



## Description

Motor technology: AC  
 Rated voltage  $U_N$ : 3~ 400 V ( $\Delta/Y$ )  $\pm 10\%$ \*  
 Rated frequency  $f_N$ : 50 Hz\*  
 Motor input power  $P_1$ : 0.35/0.22 kW\*  
 Rated current  $I_N$ : 0.77/0.40 A\*  
 Rated speed  $n_N$ : 640/ 470 min<sup>-1</sup>\*  
 Starting current  $I_s$ : 2.10 A / 0.70 A  
 Current increase  $\Delta I$ : 0 %  
 Thermal class: THCL155\*  
 Min. permitted conveyor temperature  $t_{R(min)}$ : -40 °C  
 Max. permitted conveyor temperature  $t_{R(max)}$ : 70 °C  
 Electrical connection: Terminal box  
 Number of blades: 4  
 Protection class: IP54  
 Motor protection: Thermal contact  
 Blades: Aluminium, uncoated  
 Rotor: Aluminium, uncoated  
 \* Rated data

## Characteristic curve



I) Measured in full bell mouth without guard grille in installation type A according to ISO 5801.  
 II-x) Measured in short-bell mouth with compressed side contact protection.

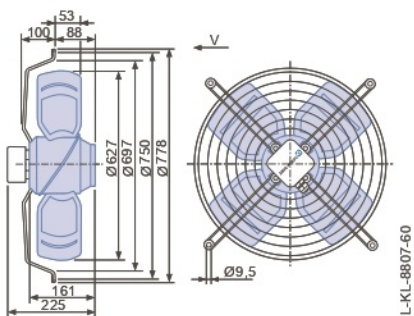
➤ Connection diagram 1360-108XA Page 608

➤ System components Page 524

## Dimensions [mm]



Design K - axial bolted, mounted for short bell mouth E



Performance data


Type	Connection	Characteristic curve	Voltage	Operating point	Current	Motor input power	Speed	Suction side sound power level $L_{WA5}$ [dB]
			U [V]		I [A]	$P_1$ [W]	n [min <sup>-1</sup> ]	
FB063-AD_4I.V4S	Δ	I	400*	②	0.77*	350*	640*	
			400	③	0.71	280	680	75
			400	⑤	0.69	340	650	69
	Y	III	400	⑥	0.66	310	670	69
			400	⑧	0.40	230	480	62
			400	⑨	0.37	210	500	64

\*rated data

Fan ordering information



← Airflow direction V

Design K



**Type** FB063-ADK.4I.V4S  
**Article no.** 107775  
**Weight [kg]** 12.80

Control technology

<p>Frequency inverter Fcontrol 3~</p>  <p>➤ Page 558</p>	<p>Motor protection units 3~</p>  <p>➤ Page 596</p>	<p>Transformer-based controllers 3~</p>  <p>➤ Page 591</p>	<p>Electronic voltage controllers 3~</p>  <p>➤ Page 578</p>
--	---	--	---